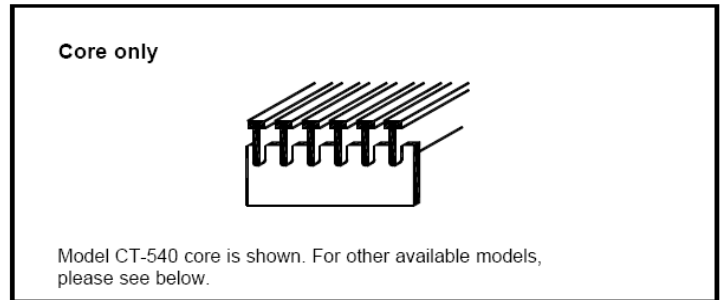
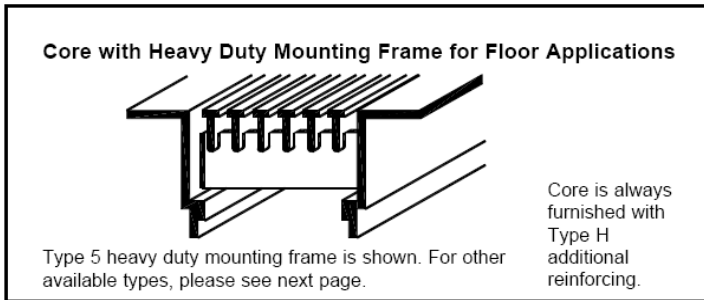
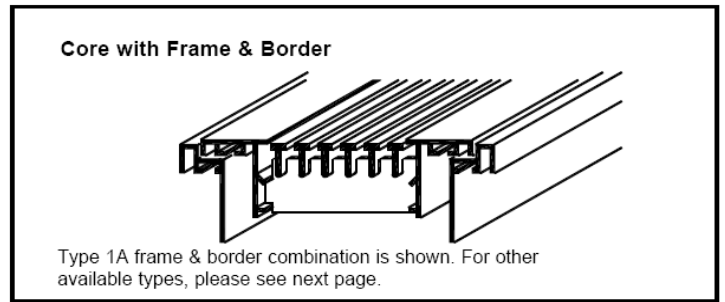
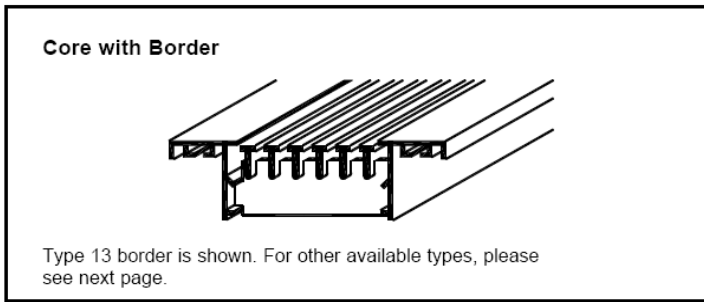
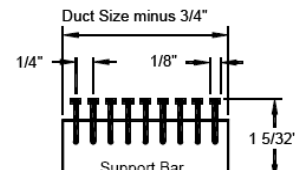
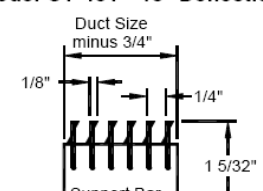


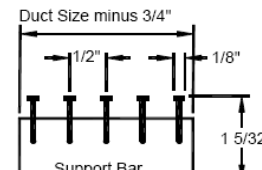
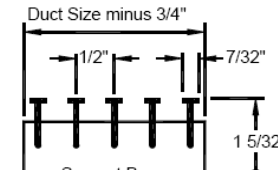
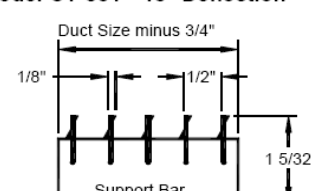
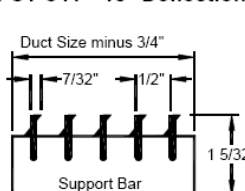
Linear Bar Diffusers Aluminum • Fixed Bars

- Models:** CT-480 • 1/4" Spacing • 1/8" Bars • 0° Deflection
 CT-481 • 1/4" Spacing • 1/8" Bars • 15° Deflection
 CT-580 • 1/2" Spacing • 1/8" Bars • 0° Deflection
 CT-581 • 1/2" Spacing • 1/8" Bars • 15° Deflection
 CT-540 • 1/2" Spacing • 1/4" Bars • 0° Deflection
 CT-541 • 1/2" Spacing • 1/4" Bars • 15° Deflection



Available Cores selection

1/4" Spacing
1/8" Bars
<input type="checkbox"/> Model CT-480 • 0° Deflection 
<input type="checkbox"/> Model CT-481 • 15° Deflection 

1/2" Spacing	
1/8" Bars	1/4" Bars
<input type="checkbox"/> Model CT-580 • 0° Deflection 	<input type="checkbox"/> Model CT-540 • 0° Deflection 
<input type="checkbox"/> Model CT-581 • 15° Deflection 	<input type="checkbox"/> Model CT-541 • 15° Deflection 

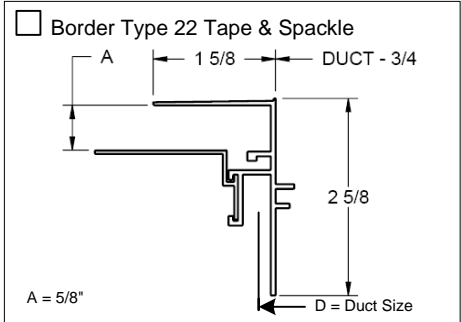
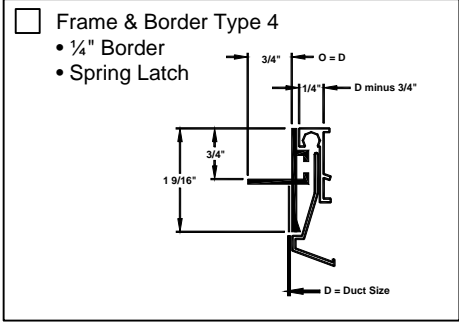
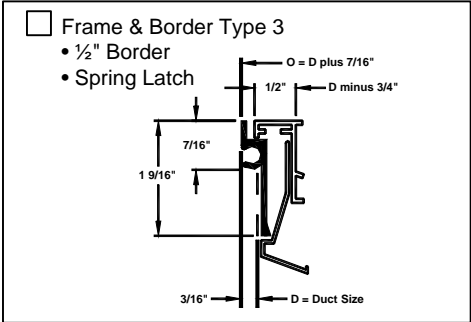
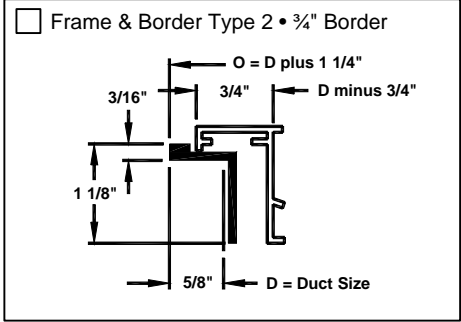
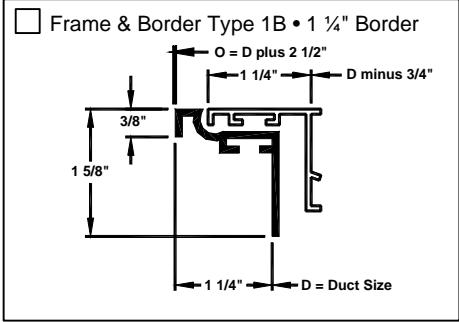
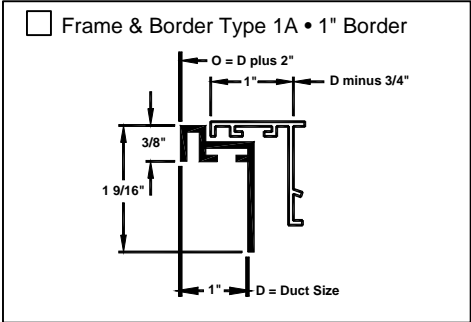
All dimensions are in inches.

† **NOTE:** Not recommended for floor applications with heavy loads or high traffic.

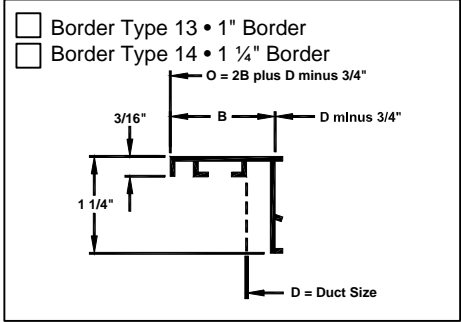
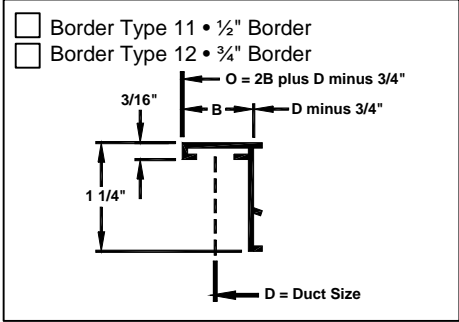
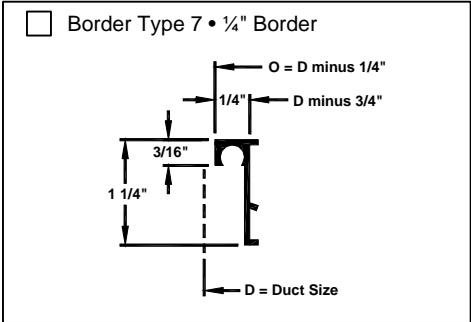
Note: If placing furniture on cores, furniture legs should be a minimum of core spacing plus two bars wide to avoid placing a horizontal load on core.

(Please see reverse side.)

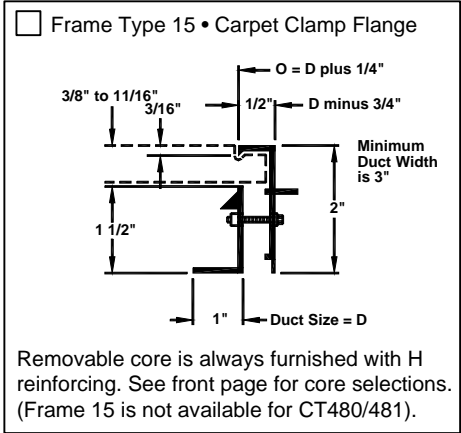
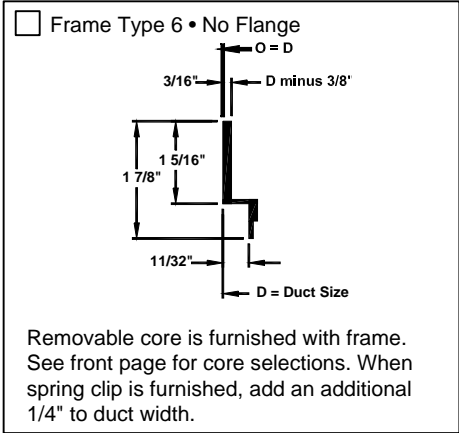
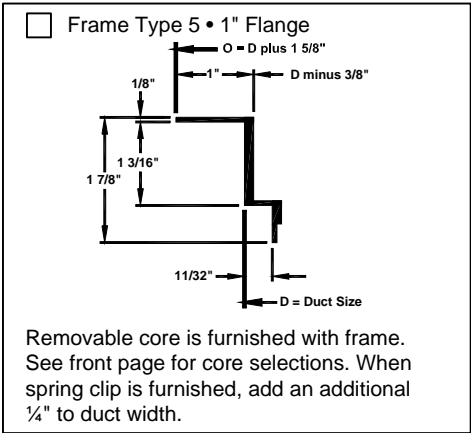
Frame & Border Types • Dimensions Check if provided.



Border Types • Dimensions Check if provided.

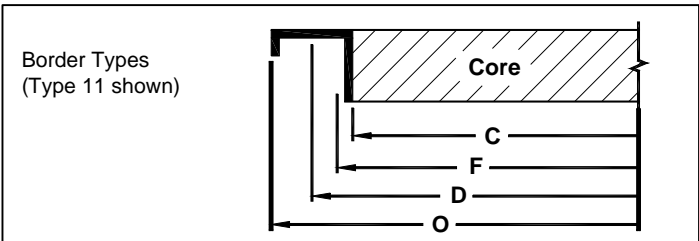


Heavy Duty Mounting Frames for Floor Applications Check if provided.
(See submittal D-CT-HD for loading limitations.)



Core Only (No Frame, No Border) Type CO

Overall Length and Widths for Various Frame & Border Types



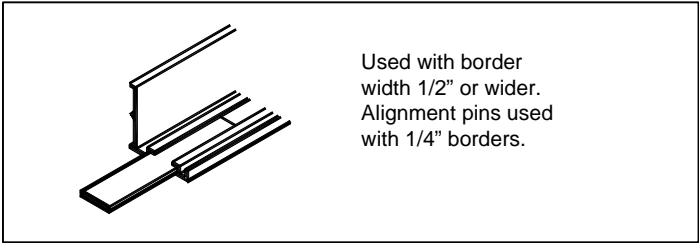
Type	F Border Length	O Overall Length	C Core Opening Length
5	D	D plus 1 5/8	D minus 3/8
6	D	D	D minus 3/8
7	D minus 5/8	D minus 1/4	D minus 3/4
11	D minus 5/8	D plus 1/4	D minus 3/4
12	D minus 5/8	D plus 3/4	D minus 3/4
13	D minus 5/8	D plus 1 1/4	D minus 3/4
14	D minus 5/8	D plus 1 3/4	D minus 3/4
22	D minus 5/8	D plus 2 1/2	D minus 3/4

Dimensions are for length or width.

Standard Core Width Information

Duct Size D	1/4" Spacing		1/2" or 7/16" Spacing	
	Core Opening C	Number of Bars	Core Opening C	Number of Bars
2	1 1/4	3	1 1/4	2
2 1/2	1 3/4	5	1 3/4	3
3	2 1/4	7	2 1/4	4
3 1/2	2 3/4	9	2 3/4	5
4	3 1/4	11	3 1/4	6
5	4 1/4	15	4 1/4	8
6	5 1/4	19	5 1/4	10

Alignment Strips



Used with border width 1/2" or wider. Alignment pins used with 1/4" borders.

Available Fastenings Check if provided.

Type A • Screw Holes

For ceiling, side wall or sill. Used with Frame & Border Types 1B, 5, 11, 12, 13, 14.

Type B • Spring clip

For sill installations. Used with Frame & Border Types 7, 11, 12, 13, 14. Must use AG-35B instead of AG-35 with Type B fastening. Sill opening size must be slightly larger to accommodate spring clips.

Type C • Concealed Fastening

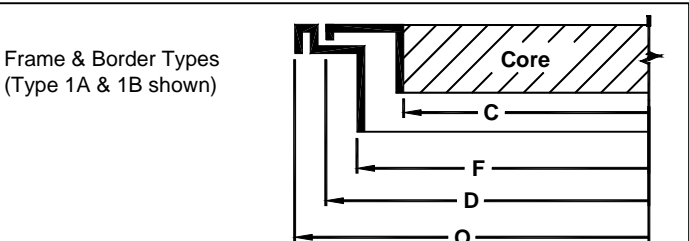
For ceiling, side wall or sill. Used with Frame & Border Types 1A, 1B, 2, 7, 11, 12, 13, 14, & Border Type 22

Additional Reinforcing (optional) Check if provided.

Type H • Optional Heavy Duty Core
• Standard with Heavy Duty Mounting Frame Types 5, 6, 15

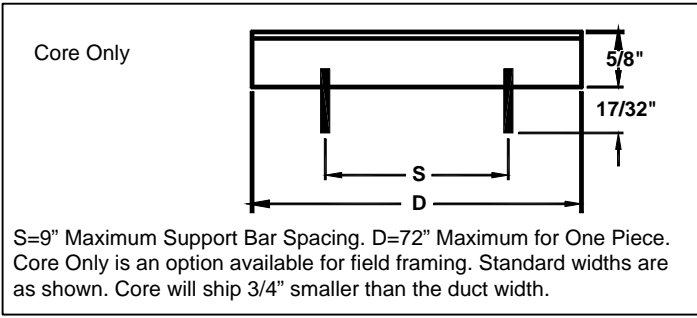
Optional Heavy Duty Core has support bars on 6" maximum centers. (Standard core has 9" maximum centers.) See Submittal CT-HD for maximum loading.

All dimensions are in inches.



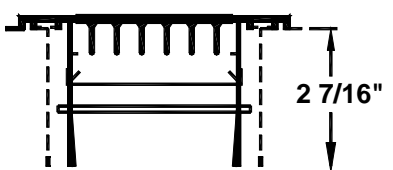
Type	F Border Length	O Overall Length	C Core Opening Length
1A	D	D plus 2	D minus 3/4
1B	D	D plus 2 1/2	D minus 3/4
2	D	D plus 1 1/4	D minus 3/4
3	D	D plus 7/16	D minus 3/4
4	D	D	D minus 3/4
15	D	D plus 1/4	D minus 3/4

Dimensions are for length or width.



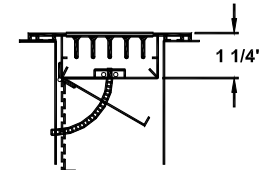
Additional Reinforcing (optional) Check if provided.

Model 07 Directional Blades



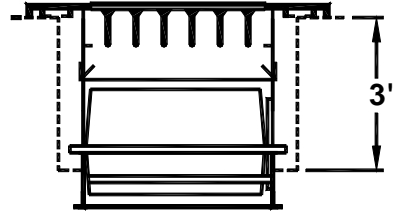
For all widths of Model CT diffusers 3" or greater. Cannot be attached to Frame & Border Types 3 and 4. Can be used with Type 5, 6, 15 if Type B Spring Clip Fastening is omitted.

Model AG-30 Single Blade Damper



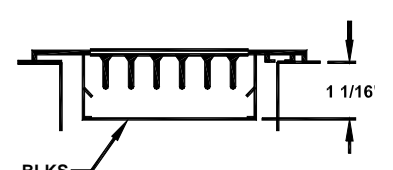
For Model CT diffuser widths 1 1/2 through 4". Friction hinge on 1 1/2" and 2" widths. Screwdriver operator on 2 1/2" through 4". Cannot be attached to Frame & Border Types 3, 4, 5, 6 or 15. For those types use Model AG-35B damper on diffusers 3" and wider.

Model AG-35 Opposed Damper



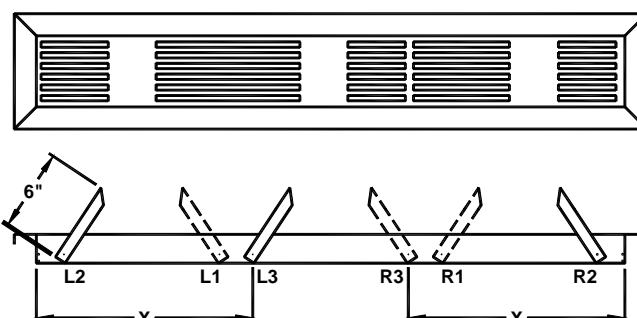
For Model CT diffusers 3" and wider. Cannot be attached to Frame & Border Types 3 and 4. Use Model AG-35 B damper for those types. Note: Minimum duct width is 3".

Model BLKS Steel Blank-Off



For all widths of Model CT diffusers. Furnished in 6 foot lengths for field cutting and installation. Steel, painted flat black.

Model AD Access Door (Not available on Types 3, 4 5, 6, 15 and 22)

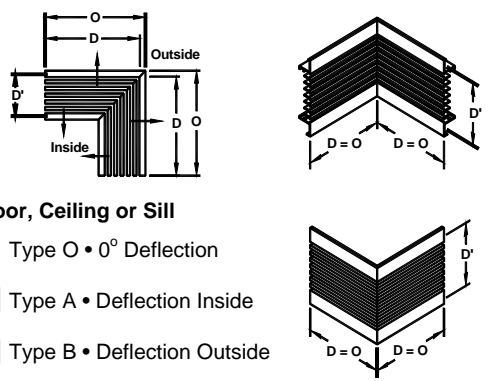


Note: Maximum Length is 6 Feet

Specify Dimension X

Optional Mitered Corners

- MC-480 • 1/4" Spacing • 1/8" Bars • 0° Deflection
- MC-481 • 1/4" Spacing • 1/8" Bars • 15° Deflection
- MC-580 • 1/2" Spacing • 1/8" Bars • 0° Deflection
- MC-581 • 1/2" Spacing • 1/8" Bars • 15° Deflection
- MC-540 • 1/2" Spacing • 1/4" Bars • 0° Deflection
- MC-541 • 1/2" Spacing • 1/4" Bars • 15° Deflection



Floor, Ceiling or Sill

- Type O • 0° Deflection
- Type A • Deflection Inside
- Type B • Deflection Outside
- Type C • Side Wall, Inside
- Type D • Side Wall, Outside

Duct Width D'	Duct Length D	Frame & Border Type													
		1A	1B	2	3	4	5	6	7	11	12	13	14	15	CO
2 - 4	12	12 ¹⁵ / ₁₆	13 ³ / ₁₆	12 ⁵ / ₈	12 ³ / ₁₆	12	12 ¹³ / ₁₆	12	11 ⁷ / ₈	12 ¹ / ₈	12 ³ / ₈	12 ⁵ / ₈	12 ⁷ / ₈	12 ¹ / ₈	12
4 1/2 - 6	18	18 ¹⁵ / ₁₆	19 ³ / ₁₆	18 ⁵ / ₈	18 ³ / ₁₆	18	18 ¹³ / ₁₆	18	17 ⁷ / ₈	18 ¹ / ₈	18 ³ / ₈	18 ⁵ / ₈	18 ⁷ / ₈	18 ¹ / ₈	18

Standard Finish: #26 White

General Description

- TITUS linear bar diffusers are designed for both supply and return applications.
- Standard lengths are 1, 2, 3, 4, 5 and 6 feet, furnished as complete, welded assemblies.
- Lengths greater than 6 feet are furnished in multiple sections, the number and size determined by the factory.
- Sections can be joined end-to-end for continuous appearance, using standard alignment strips or alignment pins.
- All deflection bars are fixed and are parallel to the long dimension.
- Fixed Bars are extruded aluminum.
- Border Types 5, 6 and 15 are the only frame styles available for floor applications.

This submittal is meant to demonstrate general dimensions of this product. The drawings are not meant to detail every aspect of the product. Drawings are not to scale. Titus reserves the right to make changes without written notice.