

SPECIFICATIONS:

A) AIR CONDITIONING SPECIFICATION

- 1. DRAWINGS ARE DIMENSIONAL AND SHALL NOT BE SCALED FOR THE EXACT LOCATION OF EQUIPMENT, PIPING, DUCTWORK, OR OTHER ITEMS.
2. ALL WORK SHALL BE PERFORMED BY A LICENSED CONTRACTOR IN A FIRST CLASS, WORKMAN-LIKE MANNER. THE COMPLETED SYSTEM SHALL BE OPERATIVE AND ACCEPTABLE BY ENGINEER/ARCHITECT SHALL BE A CORNER OF THE SUB-CONTRACT.
3. THE CONTRACTOR SHALL PAY FOR ALL PERMITS, FEES, INSPECTIONS, AND TESTS...
4. THE CONTRACTOR SHALL SUBMIT MANUFACTURER SHOP DRAWINGS, CUT SHEETS AND PERFORMANCE DATA ON ALL EQUIPMENT AND OBTAIN THE ENGINEER'S APPROVAL PRIOR TO PURCHASE AND INSTALLATION.
5. THE MECHANICAL CONTRACTOR SHALL PROVIDE ALL MOTOR STARTERS, RELAYS, CONTRACTORS, SMOKE DUCT DETECTORS, ETC.
6. THE MECHANICAL CONTRACTOR SHALL PROVIDE ALL SWITCHES AND INSTALL ALL CONTROL WIRING.
7. ALL WORKMANSHIP AND MATERIALS SHALL BE IN ACCORDANCE WITH APPLICABLE NATIONAL, STATE AND LOCAL CODES, RULES, AND ORDINANCES.
8. ALL MATERIALS SHALL BE NEW AND SHALL BEAR UNDERWRITERS LABEL WHERE APPLICABLE.
9. THE MECHANICAL CONTRACTOR SHALL PROVIDE A WRITTEN WARRANTY THAT SHALL GUARANTEE ALL WORKMANSHIP AND MATERIALS FOR ONE YEAR FROM THE DATE OF FINAL WORK ACCEPTANCE BY THE OWNER OR OWNERS REPRESENTATIVE.
10. ARCHITECTURAL AND/OR ENGINEERING EXPENSES THAT ARE INCURRED DUE TO REVISIONS OR SUBSTITUTIONS REQUESTED FOLLOWING THE ISSUE OF ARCHITECTURAL DRAWINGS SHALL BE PAID FOR BY THE CONTRACTOR.

B) INSTALLATION

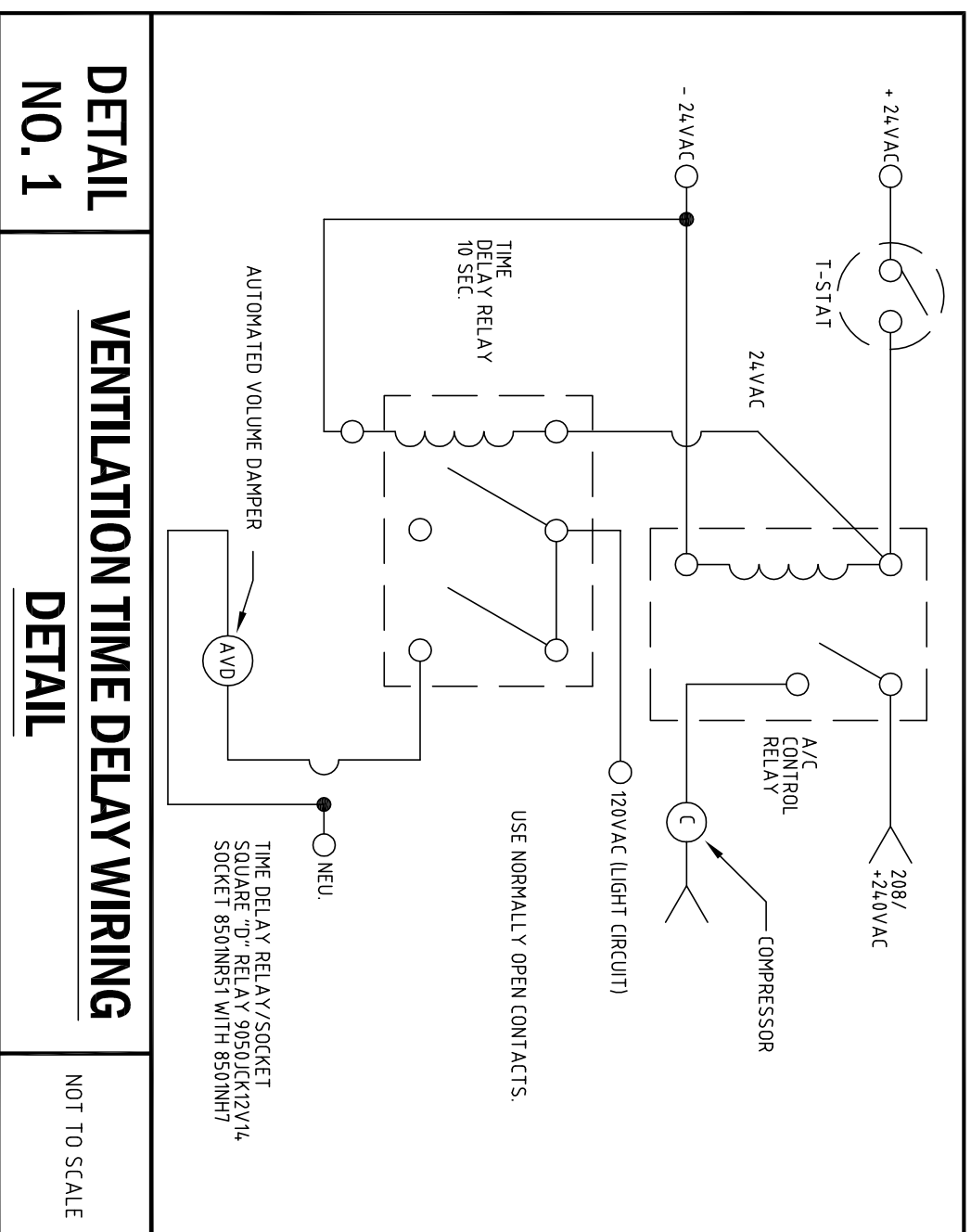
- 1. THE MECHANICAL CONTRACTOR SHALL PROVIDE HVAC EQUIPMENT LISTED IN THE HVAC EQUIPMENT SCHEDULE AND SHALL MEET THE CAPACITIES NOTED THEREON.
2. THE MECHANICAL CONTRACTOR SHALL SUBMIT MANUFACTURER SHOP DRAWINGS, CUT SHEETS AND PERFORMANCE DATA ON ALL EQUIPMENT AND OBTAIN THE ENGINEER'S APPROVAL PRIOR TO PURCHASE AND INSTALLATION.
3. THE MECHANICAL CONTRACTOR SHALL PROVIDE ALL MOTOR STARTERS, RELAYS, CONTRACTORS, SMOKE DUCT DETECTORS, ETC.
4. THE MECHANICAL CONTRACTOR SHALL PROVIDE ALL SWITCHES AND INSTALL ALL CONTROL WIRING.
5. ALL WORKMANSHIP AND MATERIALS SHALL BE IN ACCORDANCE WITH APPLICABLE NATIONAL, STATE AND LOCAL CODES, RULES, AND ORDINANCES.
6. ALL DUCTWORK SHALL BE CONSTRUCTED AND INSTALLED TO S.M.A.C.R.A. STANDARDS. ALL DUCTWORK SIZES ARE INSIDE DIMENSIONS.
7. SUPPLY DUCT ELBOWS SHALL BE PROVIDED WITH TURNING VANES.
8. BRANCH TAKEOFFS SHALL BE PROVIDED WITH ADJUSTABLE ACCESSIBLE AIR SPILTTER DAMPERS.
9. RECTANGULAR DUCT ELBOWS SHALL HAVE A CENTRALIZE RADIIUS OF NOT LESS THAN 1.5 TIMES THE WIDTH OF THE DUCT.
10. MAXIMUM LENGTH OF ALL FLEXIBLE DUCT SHALL NOT BE MORE THAN 10 FEET UNLESS OTHERWISE NOTED.
11. SECURE FLEXIBLE DUCTS TO BRANCH TAKE-OFF COLLAR WITH HOSE CLAMP.
12. ALL DUCTWORK ABOVE THE ROOF TO BE UNFLEXIBLE SHEET METAL INSULATED WITH 2" RIGID HILL BOARD AND SHEATHED WITH GALV. STEEL EXTERIOR STEEL TO BE SEALED/WEATHERPROOFED, PRIMED AND PAINTED PER ARCHITECTURAL PAINT SCHEDULE.
13. THE MECHANICAL CONTRACTOR SHALL INSTALL SMOKE DUCT DETECTORS IN THE SUPPLY DUCT OF ALL A/C UNITS EXCEEDING 1999 CFM. SMOKE DETECTOR SHALL BE INTERLOCKED W/ AHU CONTROLS.
14. REFRIGERATION ACCESSORIES SHALL BE AS SPECIFIED ON THE PLANS.
15. ALL REFRIGERATION PIPE INSULATION SHALL BE MIN. 1/2" AMARTEX OR EQUAL, APPROVED BY THE ENGINEER.
16. ALL EXTERIOR LIQUID/SUCTION LINES SHALL BE INSULATED AND WEATHER PROOFED. ALL SUCTION LINES INSIDE THE BUILDING SHALL BE INSULATED.
17. LIQUID/SUCTION LINES SHALL BE ROLLED INSIDE THE STRUCTURE TO THE EXTENT PRACTICABLE.
18. THE MECHANICAL CONTRACTOR SHALL SIZE ALL PIPING FOR THE SPECIFIC APPLICATION AND ROUTE OF PIPE.
19. THE MECHANICAL CONTRACTOR SHALL PROVIDE ALL CONDENSATE PIPING TO BE SUPPLIED BY THE PLUMBING CONTRACTOR. THE MECHANICAL CONTRACTOR'S CONDENSATE PIPE SHALL INCLUDE A TRAP SIZE FOR AHU FAN STATIC.
20. THE MECHANICAL CONTRACTOR SHALL SET AIR HANDLER UNIT AND CONDENSING UNIT AS SHOWN ON THE DRAWINGS. EQUIPMENT SHALL BE PROVIDED ON PAD ISOLATORS.
21. CONDENSING UNITS SHALL BE PROVIDED WITH BRP AND INSECT SCREENS OF A CORROSION-RESISTANT MATERIAL. BRP SCREEN SHALL NOT BE LARGER THAN 1/2" MESH AND INSECT SCREEN SHALL NOT BE LARGER THAN 18X14.
22. THERMOSTATS SHALL BE SUPPLIED AND INSTALLED BY THE MECHANICAL CONTRACTOR.
23. SHALL BE MOUNTED 5'-6" ABOVE FINISHED FLOOR, UNLESS NOTED OTHERWISE.
24. FIRE DAMPERS SHALL BE INSTALLED IN ALL DUCTS PENETRATING ROOFS, CELLINGS AND BUILDINGS AS BY CODE. ACCESS DOORS FOR INSPECTION AND RESET SHALL BE PROVIDED AT EACH LOCATION.
25. FIRE DAMPERS PROVIDED IN KITCHEN EXHAUST DUCT SHALL BE EQUIPPED WITH 212F FUSIBLE LINK.

C) WARRANTIES

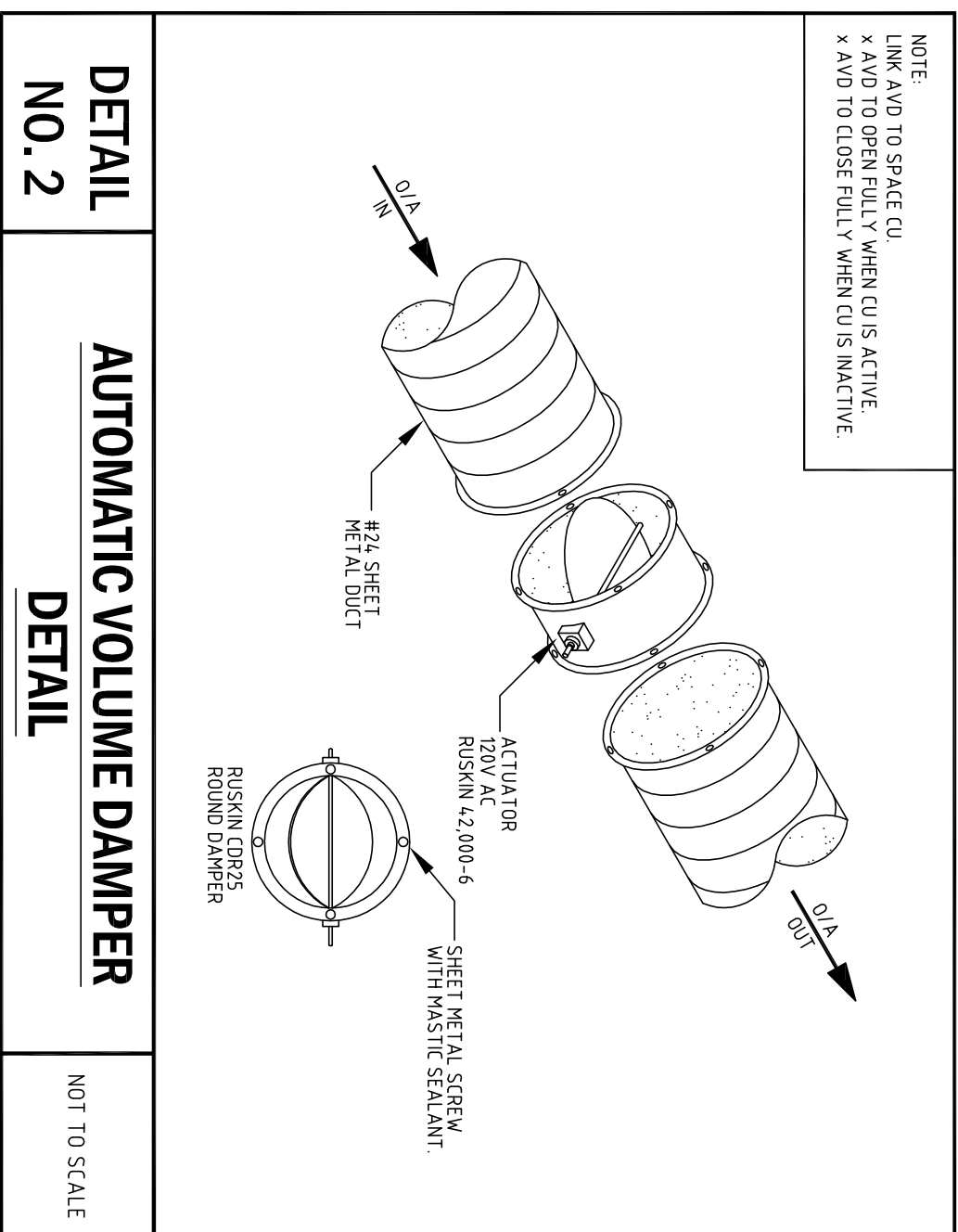
- 1. CORRECTION OF ANY ENGINEERING DEFECT SHALL BE RECEIVED WITHOUT ADDITIONAL CHARGE AND SHALL NOT INCLUDE REPLACEMENTS OR REPAIR OF ANY OTHER PARTS OF THE INSTALLATION, UNLESS THEY HAVE BEEN DAMAGED THEREBY.
2. THE CONTRACTOR SHALL BE RESPONSIBLE FOR THE PROTECTION OF ALL EXISTING UTILITIES AND STRUCTURES.
3. BALANCING OF THE SYSTEM SHALL BE BY A CERTIFIED THIRD PARTY.

Table with columns: DMS TAG, NOM. TON., QTY, MF, OR EQUAL, MODEL OR EQUAL, TOTAL COOL., SENSIBLE COOL., HEAT, HEAT TYPE, SYSTEM SIZE, SUPPLY AIR, RETURN AIR, OUTDOOR AIR, FAN STATIC (IN. W.G.), HUMIDITY RATIO (IN. ACP), V/PH/Hz, QTY, FLA, LBA, QTY, FTA, HP, FTA, ELEC. MOTOR, CONDENSING UNIT, AIR HANDER UNIT.

AC EQUIPMENT SCHEDULE



DETAIL NO. 1 VENTILATION TIME DELAY WIRING NOT TO SCALE



DETAIL NO. 2 AUTOMATIC VOLUME DAMPER NOT TO SCALE

Table with columns: SPACE, # of OCCUPANTS, ANNUAL O/A, SUPPLIED O/A, MINIMUM INFLTRATION REQUIREMENTS MET YES

VENTILATION (REF.: FBCM 402)

GENERAL NOTES:

- 1. THE PURPOSE OF THIS DRAWING IS TO PROVIDE HVAC ROUING AND CONSTRUCTION DETAILS.
2. ALL ELBOWS SHALL HAVE A CENTER LINE RADIUS OF 1.5W OR 1.5D AND BE SUPPLIED WITH TURNING VANES UNLESS OTHERWISE NOTED.
3. ALL HANGER SPACERS SHALL BE IN ACCORDANCE WITH S.M.A.C.R.A.
4. THE MECHANICAL CONTRACTOR SHALL PROVIDE ALL TURNING VANES, INSULATIONS AND CONTROLS.
5. THE MECHANICAL CONTRACTOR SHALL PROVIDE ALL SWITCHES AND INSTALL ALL CONTROL WIRING.
6. AHU MOUNTED IN THE HORIZONTAL POSITION SHALL BE EQUIPPED WITH A 1-1/2" DEEP SECONDARY DRAIN PAN WITH A FLOAT SWITCH THAT SHALL BE CONNECTED TO FREIGHT OVERFLOWING.
7. CONDENSATE PIPING SHALL BE FIELD PIPED WITHIN THE BUILDING.
8. CONDENSATE PIPING SHALL BE FIELD PIPED WITHIN THE BUILDING.
9. ALL DIMENSIONS ARE PROVIDED FOR REFERENCE AND THE CONTRACTOR SHALL CORRECT THE LOCATION IN THE FIELD.
10. ALL DIMENSIONS NOTED IN THESE DRAWINGS ARE FOR REFERENCE AND THE CONTRACTOR SHALL CORRECT THE LOCATION IN THE FIELD.
11. ALL DIMENSIONS NOTED IN THESE DRAWINGS ARE FOR REFERENCE AND THE CONTRACTOR SHALL CORRECT THE LOCATION IN THE FIELD.
12. CONTRACTOR SHALL PROVIDE RA CONNECTION TO ATIC SPACE FOR SUPPLY. WMS SHALL BE PROVIDED IN ACCESSIBLE LOCATIONS FOR ADJUSTMENT AFTER CONSTRUCTION.
13. CONTRACTOR SHALL PROVIDE RA CONNECTION TO ATIC SPACE FOR SUPPLY. WMS SHALL BE PROVIDED IN ACCESSIBLE LOCATIONS FOR ADJUSTMENT AFTER CONSTRUCTION.
14. PROVIDE ALL EQUIPMENT AND CONTROL FOR O22 ON DEMAND VENTILATION.

REVISIONS

Table with columns: REV. NO., ISSUE FOR PERMIT, BY, APP'D, DATE

Table with columns: revisions no., date, designed by, checked by, date, scale, job no.

FAN SCHEDULE & DATA

Table with columns: DMS TAG, QTY, MF, OR EQUAL, MODEL OR EQUAL, SERVICE, CFM, FAN STATIC (IN. W.G.), DUCT CONNECT SIZE, V/PH/Hz, FTA, REMARKS

NOTES:
1) SUPPLY ALL FANS WITH NON-RETURN DAMPERS.

TERMINAL SCHEDULE

Table with columns: DMS TAG, QTY, MF, OR EQUAL, MODEL OR EQUAL, SERVICE, SIZE, AIR FLOW DEFLECTION, LOCATION, MOUNTING

NOTES:
1) ALL TERMINALS SHALL BE ALUMINUM & FINISHED WHITE UNLESS NOTED OTHERWISE.
2) ALL SUPPLY DIFFUSERS SHALL BE PROVIDED WITH OPPOSABLE BLADE DAMPERS.
3) ALL TERMINALS SHALL HAVE A NOISE CRITERIA OF LESS THAN 25.

CLUBHOUSE UNIVERSITY DAYCARE JUPITER FARMS SHOPPING CENTER PALM BEACH COUNTY, FLORIDA

ARCHITECTURAL Standards, Inc.

Architecture Planning 300 Avenue of Champions Suite 370 Palm Beach Gardens, Florida 33418 Phone: 561.202.4890 Fax: 561.296.5194 archinfo@stda.com

PERMIT SET: 01/26/12

NOTE: THE CONTRACTOR SHALL BE RESPONSIBLE FOR OBTAINING ALL NECESSARY PERMITS AND APPROVALS FROM THE LOCAL AND STATE AGENCIES. THE CONTRACTOR SHALL BE RESPONSIBLE FOR OBTAINING ALL NECESSARY PERMITS AND APPROVALS FROM THE LOCAL AND STATE AGENCIES.

FORMICA & ASSOCIATES, Inc. Consulting Engineers 3500 N.W. Boca Raton Blvd. Boca Raton, FL 33431 TEL: (561) 368-4830 FAX: (561) 368-4733 Robert F. Formica, P.E., License #19733 Email: rformica@formicaengineering.com

Mechanical DATA, DETAILS & NOTES sheet of 2 M2.01