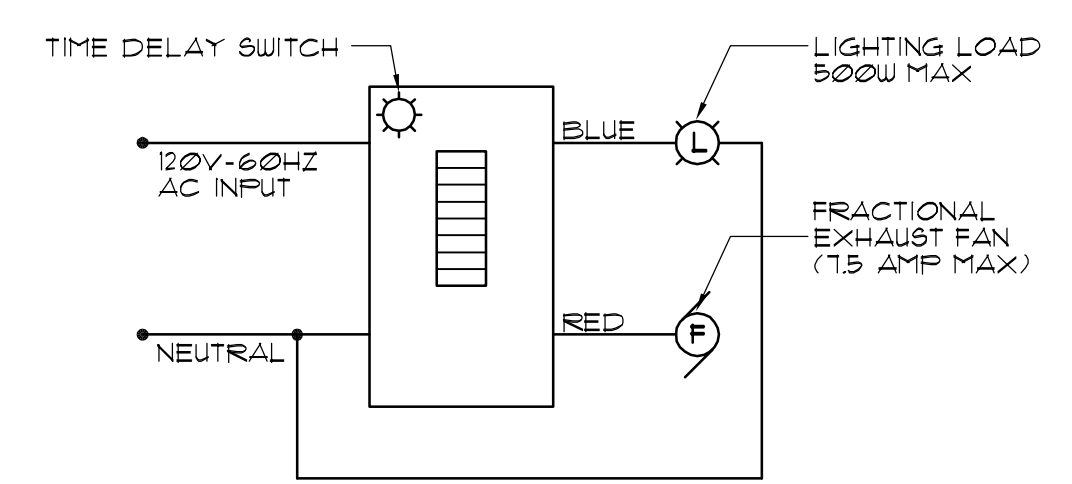
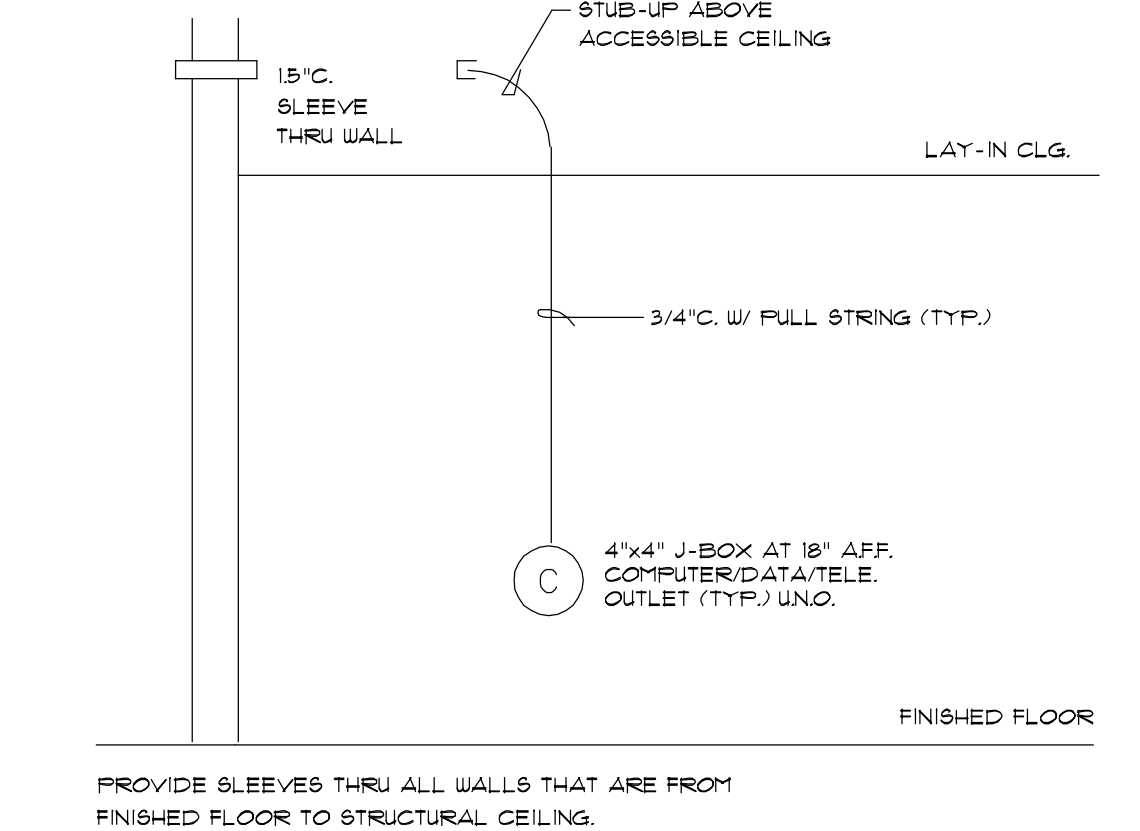


The professional services of the designer and/or Architect are undertaken for and are performed in the interest of the project owner. No contractual obligation is assumed by the designer and/or the Architect for the benefit of any other entity involved in the project.
Existing conditions: The designer and/or Architect declines any responsibility for the existing building structure and conditions, existing construction elements, or any other documents, drawings, or other documents related to or intended to be used for any part or parts of the project, which do not bear the Architect's seal.
This drawing has been prepared by the Architect, or under the Architect's direct supervision. The drawing is provided as an instrument of service by the Designer/Architect and is intended for the use on this project only. Pursuant to the Architectural License Copyright Protection Act of 1980, all Drawings, Specifications, Notes, and Details, including the overall form, arrangement and composition of the design and elements appearing hereon, constitute the original copyrighted work of the Architect. Not for construction unless all applicable permits are obtained. Any reproduction, use, or disclosure of information contained herein without the prior written consent of the Architect is strictly prohibited. (C) Copyright 1993 by TrebArc, Inc.

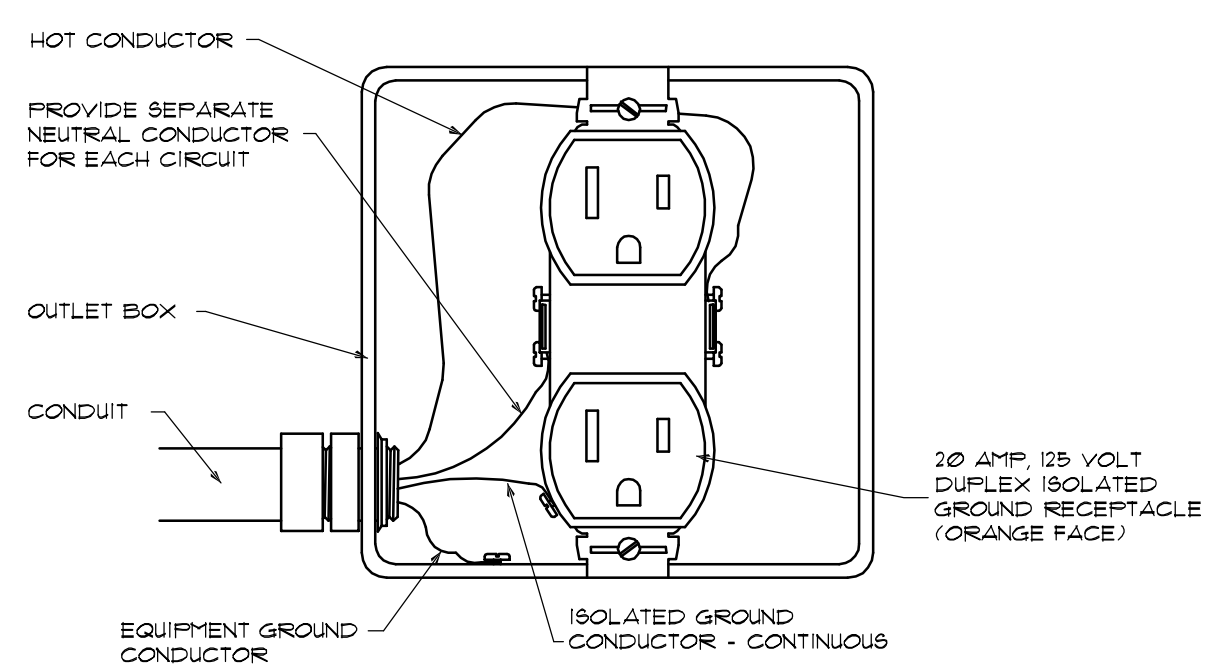


- NOTE:**
1. THE TIME DELAY CAN BE SET TO ALLOW A FAN TO CONTINUE OPERATING FROM 1 MIN. TO 60 MIN. AFTER SWITCH IS TURNED OFF. LIGHTING CAN ALSO BE CONTROLLED. PROVIDE 2X4 BACK BOX FOR MOUNTING.
 2. TIME DELAY SWITCH IS SUPPLIED WITH EXHAUST FAN, COORDINATE WITH MECHANICAL CONTRACTOR. TIME SWITCH INSTALLED BY ELECTRICAL CONTRACTOR.

EXISTING EXHAUST FAN (2)
SCALE: N.T.C. (E-1)



COMP./DATA/TELE DETAIL (3)
SCALE: N.T.S. (E-1)



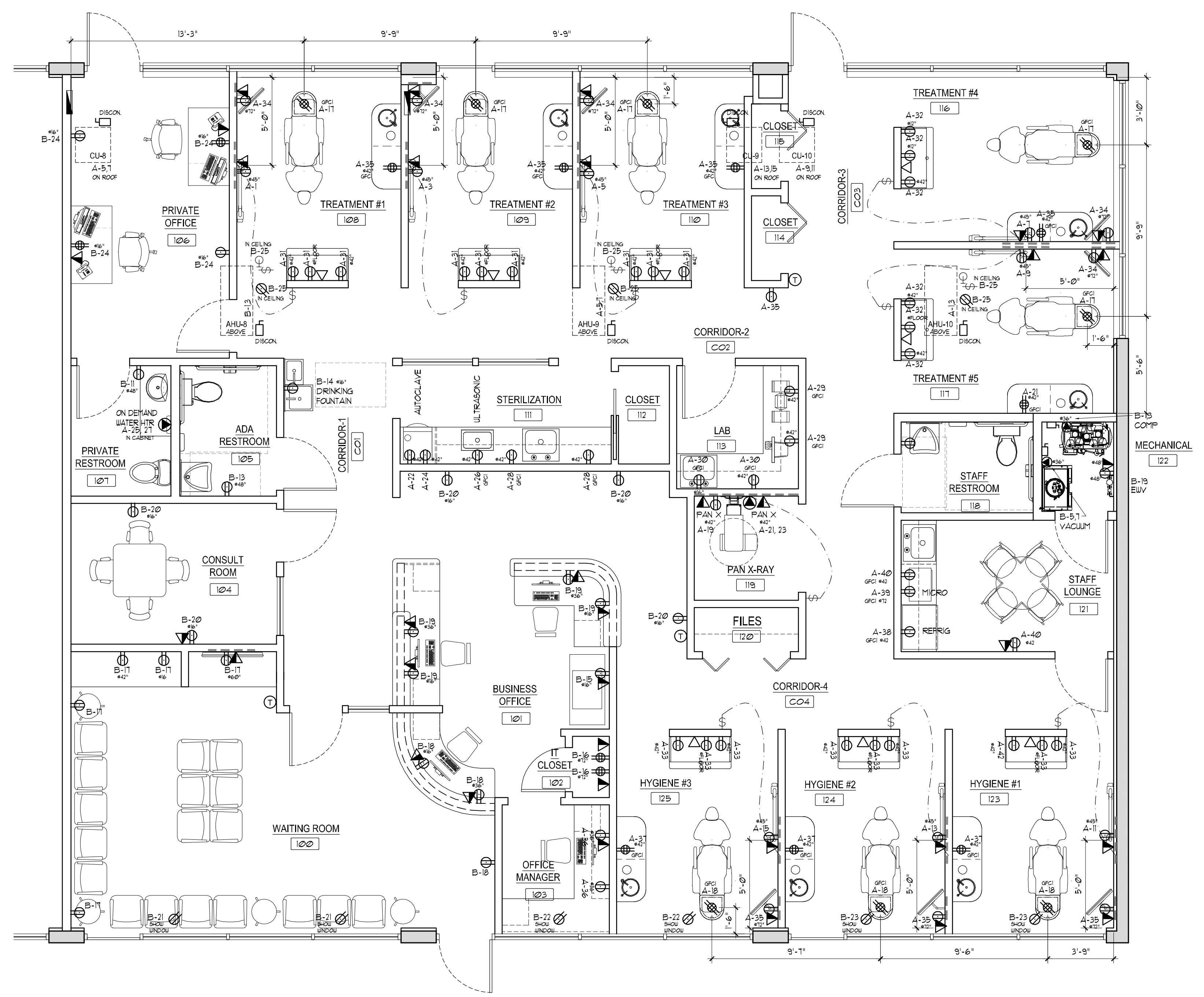
*** USE AT GFCI LOCATION ONLY ISOLATED GROUND RECEPT.** (4)
SCALE: N.T.S. (E-1)

DENTAL JUNCTION BOX NOTES

THE PLUMBING CONTRACTOR SHALL BE RESPONSIBLE FOR CREATING A SOLID TEMPLATE FOR THE PURPOSE OF LOCATING AND SECURING ALL UTILITIES DURING CONCRETE POUR OR CORE DRILLING EXISTING FLOORS. PLUMBING SUB CONTRACTOR SHALL CONSULT WITH ELECTRICAL SUB CONTRACTOR FOR ANY UTILITY COORDINATION NECESSARY. THE PLUMBING CONTRACTOR SHALL BE RESPONSIBLE FOR ALL PLUMBING CONNECTIONS TO SINKS, MODEL TRIMMER DRAIN SYSTEM, VACUUM PUMP DRAIN AND/OR VACUUM LINE, AND ANY OTHER FIXTURES NOT SHOWN ON THESE PLANS, OR ANY ADDITIONAL ON ARCHITECTURAL PLANS.

HEALTH CARE WIRING METHOD

WIRING METHODS FOR HEALTH CARE FACILITIES. ALL BRANCH CIRCUITS SERVING PATIENT CARE AREAS SHALL BE PROVIDED WITH A GROUND PATH FOR FAULT CURRENT BY INSTALLATION IN A METAL RACEWAY SYSTEM, OR CABLE HAVING A METALLIC ARMOR OR SHEATH ASSEMBLY. THE GROUNDING TERMINALS OF ALL RECEPTACLES AND NON CURRENT CARRYING CONDUCTIVE SURFACES OF FIXED ELECTRICAL EQUIPMENT WITH 100 VOLTS SHALL BE GROUNDED BY AN INSULATED COPPER CONDUCTOR.



DATA LINE NOTE

ALL TELEPHONE AND DATA LINES TO BE CAT. 5E WIRE FROM PANEL TO TERMINAL. NO EXCEPTIONS

SHEET TITLE: **Electrical Power Plan Legend, and Details**
 PROJECT NAME: **Interior Tenant Improvement for: Garden Dental Spa - Dr. William Strauss, DMD 11380 Prosperity Farms Rd, suite 108-109 Palm Beach Gardens, Florida 33410**

REVISIONS:

RELEASED FOR: PERMIT
DATE: 06/28/2013
PROJECT: 13137

The professional services of the designer and/or architect are undertaken for and are performed in the interest of the project owner. No contractual obligation is assumed by the designer and/or the architect for the benefit of any other entity involved in the project.

Existing conditions: The designer and/or architect disclaims any responsibility for the existing building structure and conditions, existing construction elements, or any other documents, drawings, or other records related to or intended to be used for any part or parts of the project, which do not bear the architect's seal.

This drawing has been prepared by the Architect, or under the Architect's direct supervision. This drawing is provided as an instrument of service by the Designer/Architect and is intended for the use of this project only. Pursuant to the Architectural Code Copyright Protection Act of 2000, all Drawings, Specifications, Notes, and Details, including the overall form, arrangement and composition of the notes and elements appearing herein, constitute the original copyrighted work of the Architect. Not for construction unless all applicable permits are obtained. Any reproduction, use, or disclosure of information contained herein without the prior written consent of the Architect is strictly prohibited. © Copyright 2013 by Trebbien, Inc.

SPACE LIGHT CONTROL NOTE

EACH SPACE ENCLOSED BY CEILING-HEIGHT PARTITIONS SHALL HAVE AT LEAST ONE CONTROL DEVICE TO INDEPENDENTLY CONTROL THE GENERAL LIGHTING WITHIN THE SPACE. EACH MANUAL DEVICE SHALL BE READILY ACCESSIBLE AND LOCATED SO THE OCCUPANTS CAN SEE THE CONTROLLED LIGHTING.

LIGHTING CIRCUITS

ALL EXISTING FLUORESCENT CEILING LIGHTING CIRCUITS ARE TO REMAIN ON EXISTING SUITE SERVICE PANEL. ANY ADDITIONAL OR RELOCATED LIGHTING IS TO REMAIN ON OR BE ADDED TO THE EXISTING CIRCUIT. CONTRACTOR TO REPORT ANY DISCREPANCIES TO THE ARCHITECT PRIOR TO WIRING THE LIGHTING SYSTEM.

EMERGENCY LIGHTING

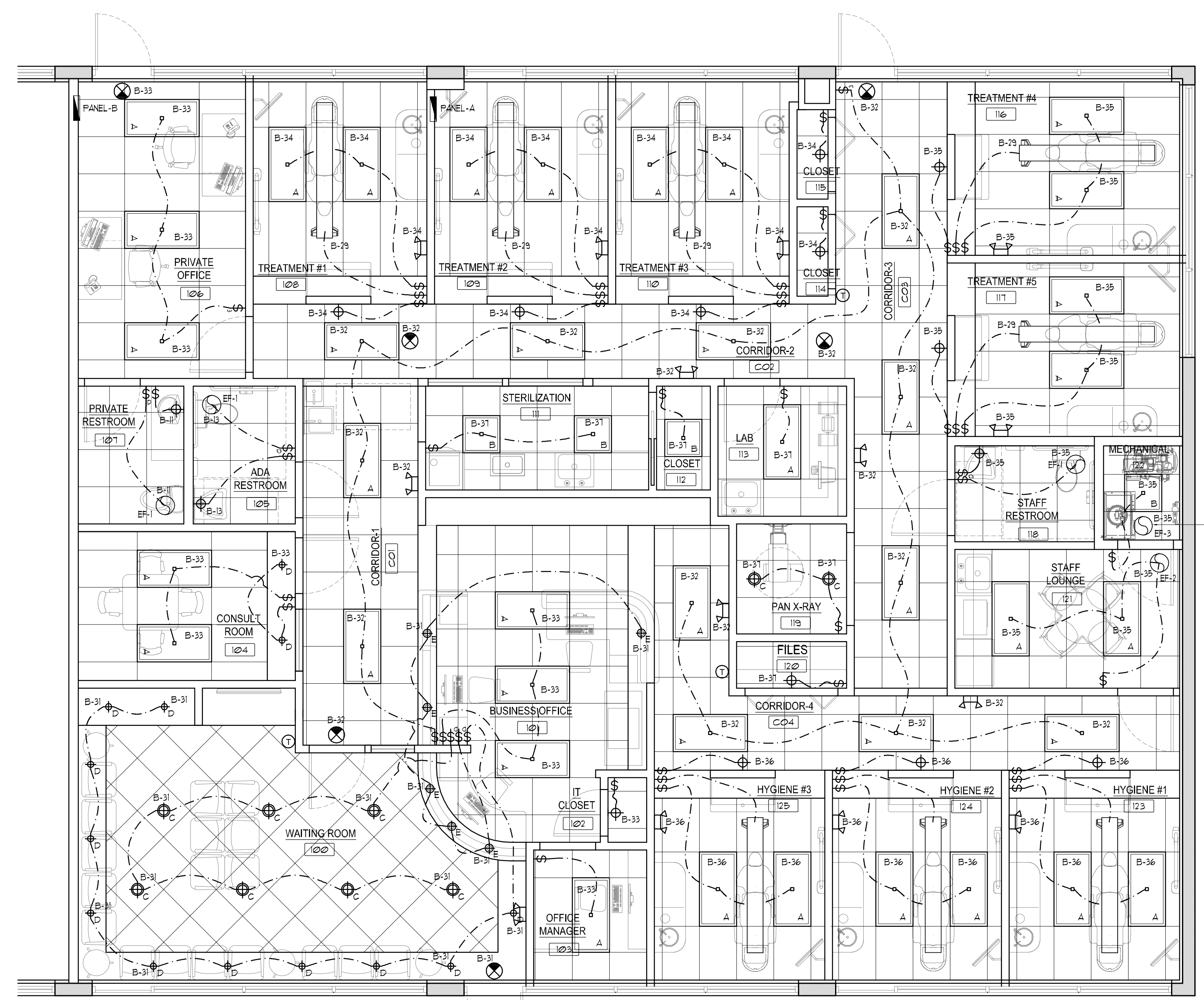
EMERGENCY EXIT AND EGRESS LIGHTS SHALL BE CONNECTED TO THE LOCAL LIGHTING CIRCUIT AHEAD OF CENTRAL CONTROL SWITCHES.

AUTOMATIC CONTROL LIGHTING SYSTEM

INTERIOR LIGHTING IN BUILDINGS LARGER THAN 5,000 SQUARE FEET (BASED ON TOTAL AREA OF THE STRUCTURE) AUTOMATIC CONTROL DEVICES TO SHUT OFF BUILDING LIGHTING IN ALL SPACES SHALL BE PROVIDED. THIS AUTOMATIC CONTROL DEVICE SHALL FUNCTION ON A SCHEDULED BASIS USING TIME OF DAY AS SCHEDULED BY OWNER WITH AN OCCUPANT SENSOR @ 30 MIN. TURN ON INTERVALS AS PER FBC SECTION 13-415.1.ABC.11. EXISTING TO BE VERIFIED IN FIELD.

- 2X4 FLUORESCENT T8 LINEAR RECESSED DIRECT / INDIRECT FIXTURE - MODERN LIGHTING SERIES RD1 - RD1242-23EL00T - LAMP: PHILIPS LIGHTING PL-L 40W/830/4P R5/1S
- 2X2 COMPACT FLUORESCENT SINGLE TWIN TUBE 4 PIN RECESSED DIRECT / INDIRECT FIXTURE - MODERN LIGHTING SERIES RD1 - RD1222-240XEL00T - LAMP: SYLVANIA 20885(2) FT42DL/835/R5
- 6" FLUORESCENT 13 WATT RECESSED CAN HOUSING WITH WHITE RECESSED TRIM
- 4" FLUORESCENT 13 WATT RECESSED CAN HOUSING WITH WHITE RECESSED TRIM
- INDICATES SINGLE LIGHT PENDENT FIXTURE. FIXTURE SPEC TO BE DETERMINED BY OWNER
- INDICATES SINGLE LIGHT WALL SCONCE FIXTURE. FIXTURE SPEC TO BE DETERMINED BY OWNER
- CLOSET WALL MOUNT - 2'-0" ELECTRONIC WALL CEILING BRACK. MANUFACTURER'S PART NO. * TEX 555 211
- BATHROOM INDICATES TRIPLE 40W LIGHT WALL SCONCE FIXTURE. FIXTURE SPEC TO BE DETERMINED BY OWNER
- INDICATES LOWER CABINET LIGHTING (LCL) AND UPPER (UCL) WHERE APPLICABLE SHALLOW FLUORESCENT STRIP LIGHTING T8/D.
- NIGHT LIGHT (BYPASS BALLAST NOT TO BE SWITCHED)
- CEILING MOUNTED OCCUPANCY SENSOR - LEVITON OSC10-MOU
- NEW EXIT LIGHT FIXTURES - PELXTEU MOD * IRCBAEM RED EDGE LIT LED W/ BATTERY BACK UP
- EMERGENCY LIGHT UNIT - THE EXIT LIGHT COMPANY CAT NUMBER EL-MU; WALL MOUNT 100" AFF (W/ BATTERY BACK-UP)
- INDICATES EXISTING EXHAUST FAN SEE SCHEDULE FOR SPECIFICATION
- TYPICAL QUADFLEX CONVENIENCE OUTLET
- TYPICAL CONVENIENCE OUTLET (20A, 120V) MOUNT AT CEILING LEVEL
- TYPICAL CONVENIENCE OUTLET (20A, 120V) MOUNT 18 INCH AFF UNLESS NOTED OTHERWISE
- INDICATES SPECIALTY HIGH VOLTAGE APPLIANCE RECEPTACLE
- THERMOSTAT CONTROL TO RTU
- TYPICAL PHONE AND DATA PORT. SEE ADDITIONAL DETAILS ELSEWHERE
- SINGLE-POLE LOCAL SWITCH (20A, 120V) WITH MOTION SENSOR FOR INDIVIDUAL ROOM CONTROL
- SINGLE-POLE LOCAL DIM SWITCH (20A, 120V)
- THREE-POLE LOCAL SWITCH (20A, 120V)
- LIGHTING CONTROL DEVICE
- INDICATES ELECTRICAL PANEL

ELECTRICAL LEGEND
SCALE: N.T.S.



EF-3: MINIMUM 300 CFM THERMOSTAT CONTROLLED EXHAUST FAN SET TO 95° F.

SHEET TITLE
PROJECT NAME
**Interior Tenant Improvement for:
Garden Dental Spa - Dr. William Strauss, DMD
11380 Prosperity Farms Rd, suite 108-109
Palm Beach Gardens, Florida 33410**

REVISIONS:
RELEASED FOR: PERMIT
DATE: 06/28/2013
PROJECT: 13137

ELECTRICAL LIGHTING PLAN
SCALE: 1/4" = 1'-0"

The professional services of the designer and/or architect are undertaken for and are performed in the interest of the project owner. No contractual obligation is assumed by the designer and/or architect for the benefit of any other entity involved in the project.
Existing conditions: The designer and/or architect disclaims any responsibility for the existing building structure and conditions, existing construction elements, or any other documents, drawings, or other documents related to or intended to be used for any part or parts of the project, which do not bear the architect's seal.
This drawing has been prepared by the Architect and/or under the Architect's direct supervision. This drawing is provided as an instrument of service by the Designer/Architect and is intended for the use on this project only. Pursuant to the Architectural License (Copyright Protection Act of 1982), all Drawings, Specifications, Notes and Details, including the overall form, arrangement and composition of the sections and elevations appearing herein, constitute the original copyrighted work of the Architect. Not for construction unless all applicable permits are obtained. Any reproduction, use, or disclosure of information contained herein without the prior written consent of the Architect is strictly prohibited. © Copyright 2013 by Treb Arc, Inc.

SHEET TITLE

Equipment Details

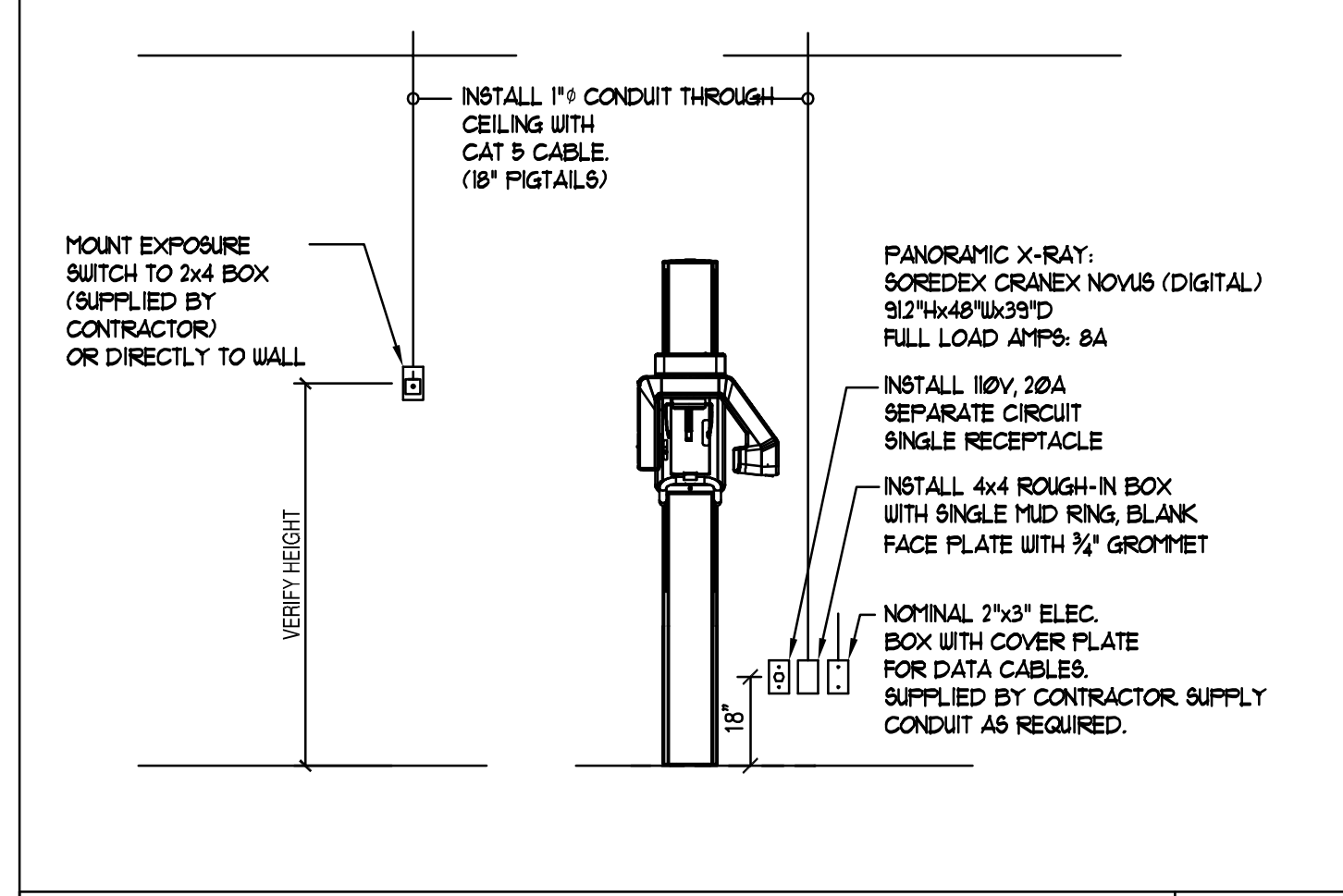
PROJECT NAME

Interior Tenant Improvement for:
Garden Dental Spa - Dr. William Strauss, DMD
11380 Prosperity Farms Rd, suite 108-109
Palm Beach Gardens, Florida 33410

REVISIONS:

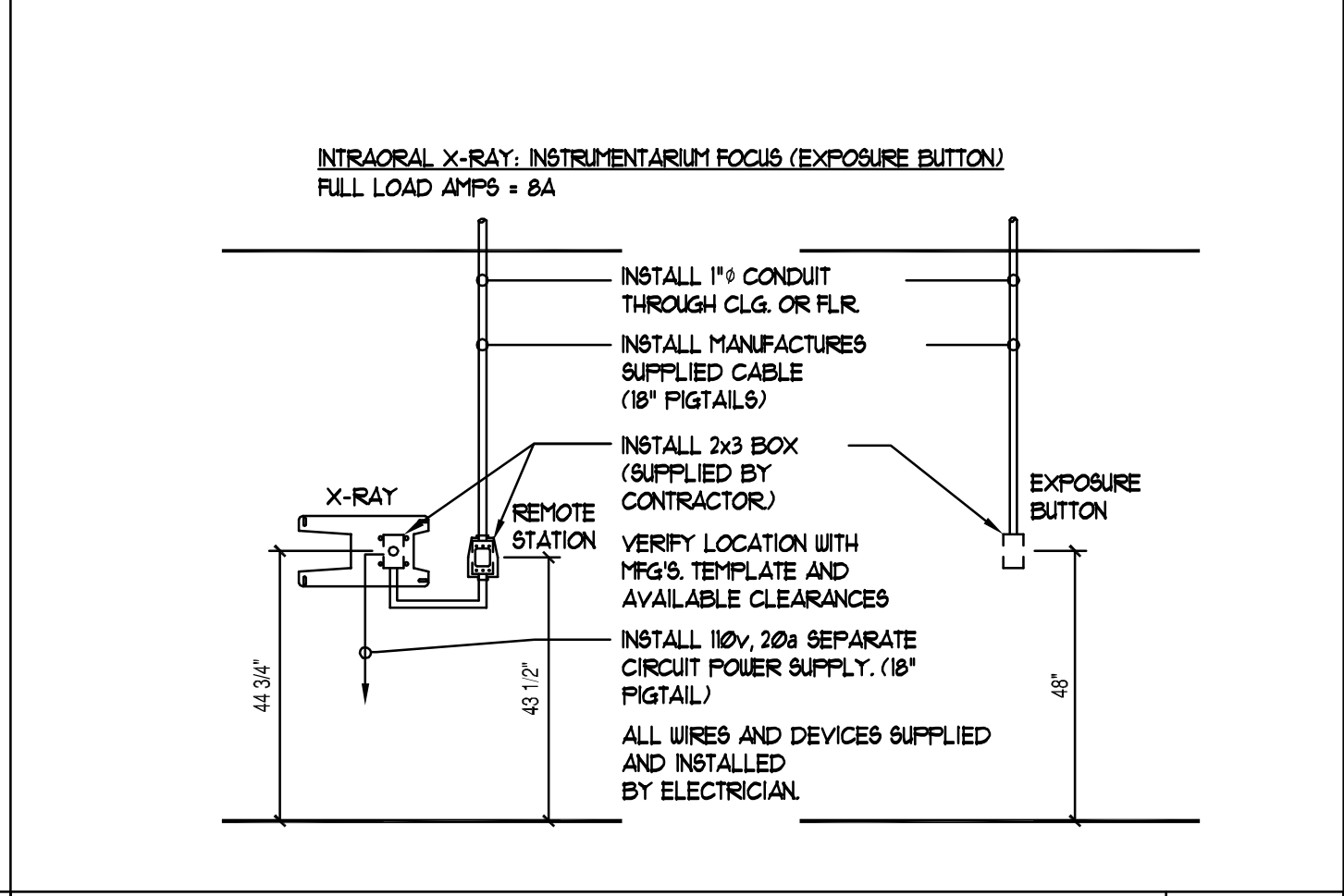
RELEASED FOR: PERMIT
DATE: 06/28/2013

PROJECT: 13137



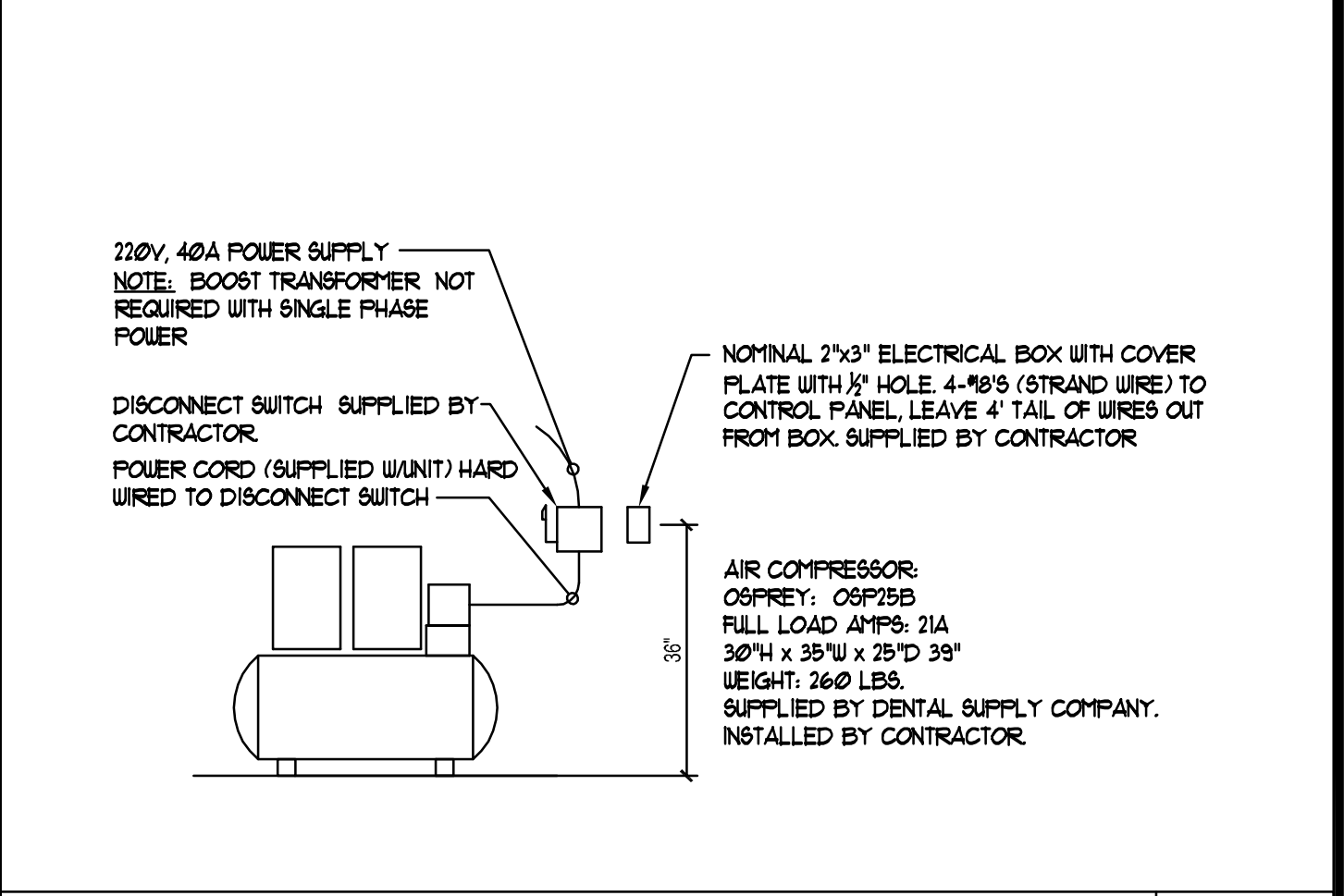
DETAIL - PANORAMIC X-RAY WIRING 09

REF.: SOURCE: N.T.S.



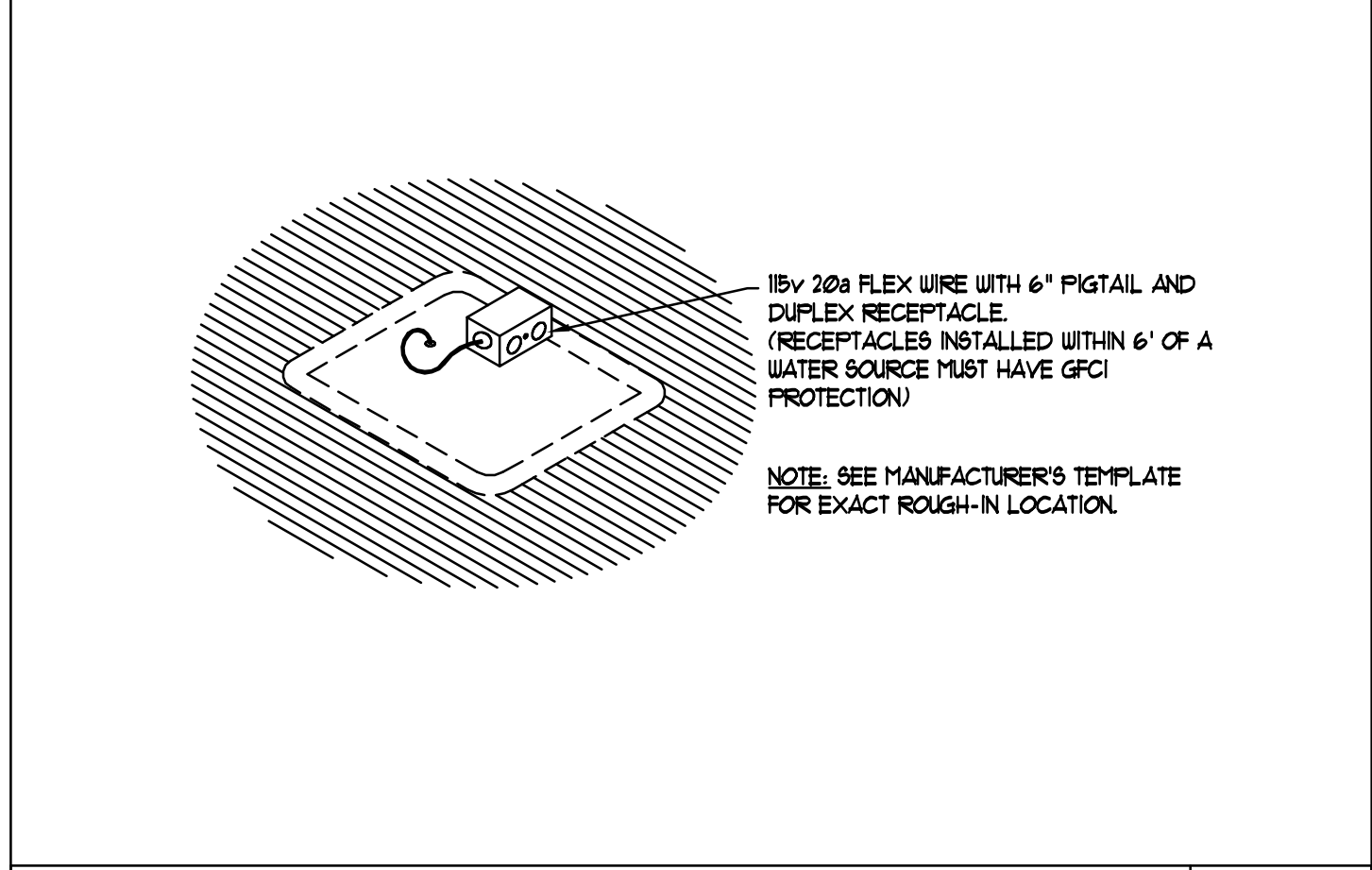
DETAIL - INTRAORAL X-RAY WIRING 05

REF.: SOURCE: N.T.S.



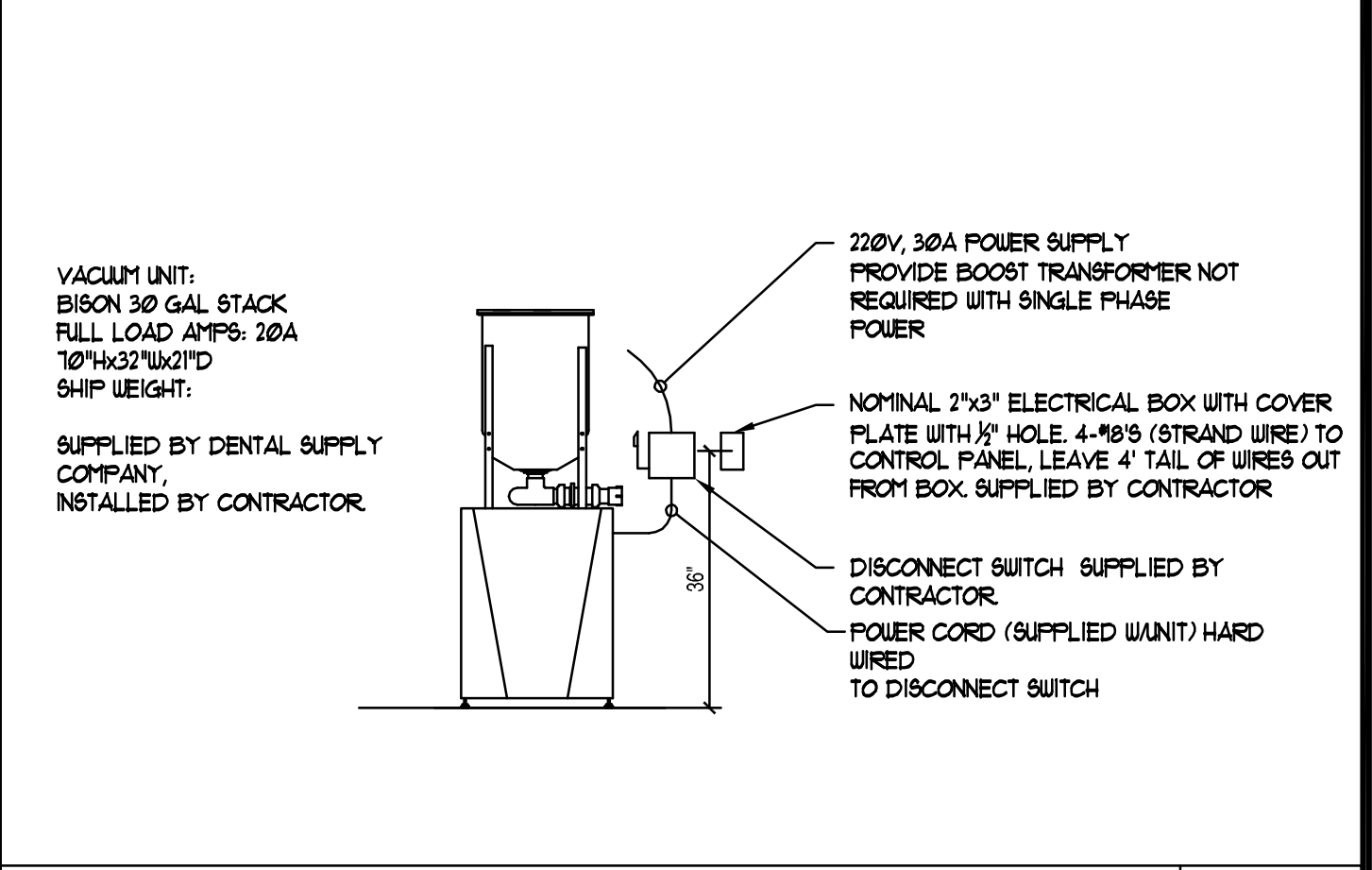
DETAIL - AIR COMPRESSOR 01

REF.: SOURCE: N.T.S.



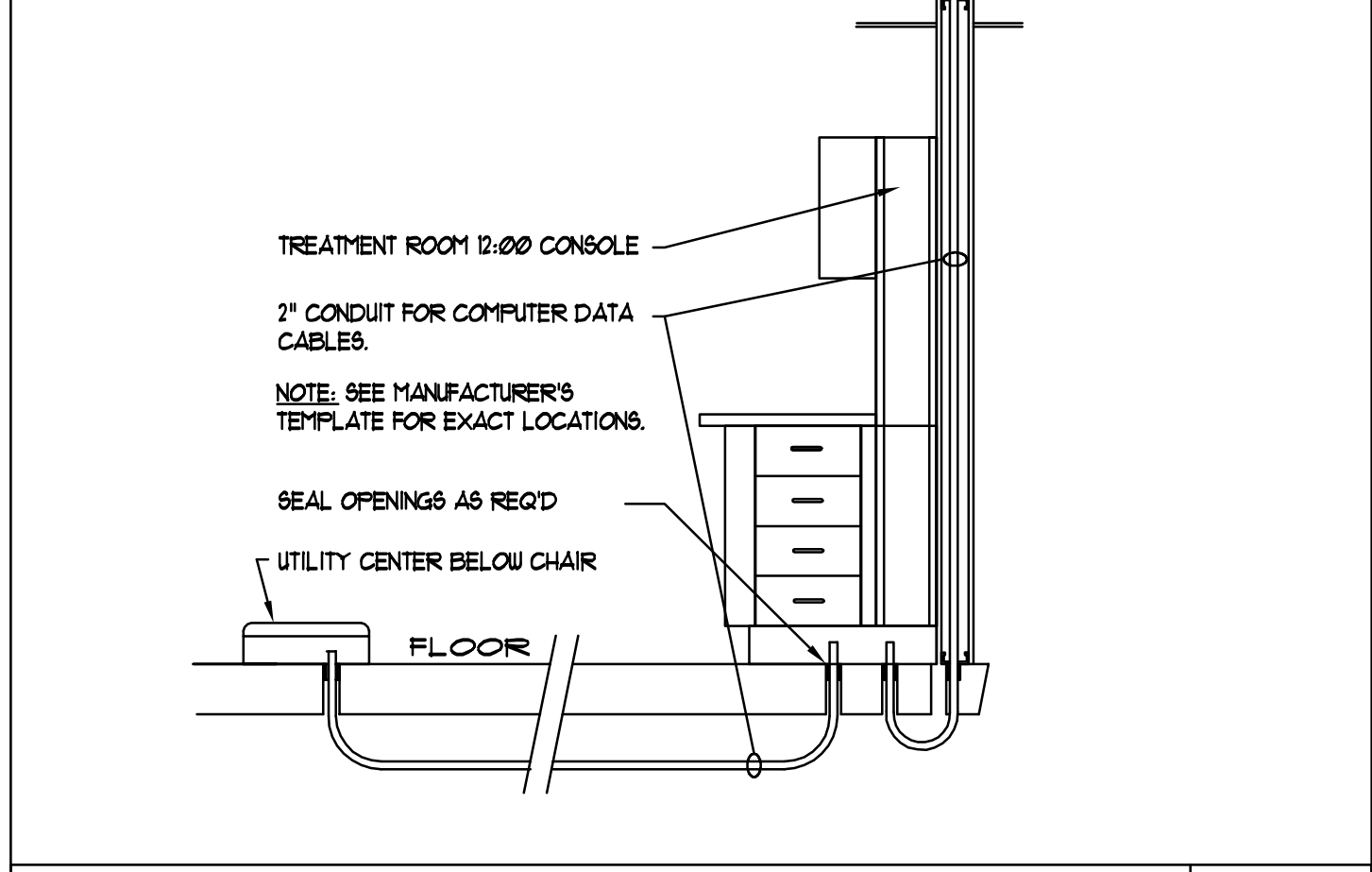
DETAIL - DENTAL CHAIR RECEPTACLE 06

REF.: SOURCE: N.T.S.



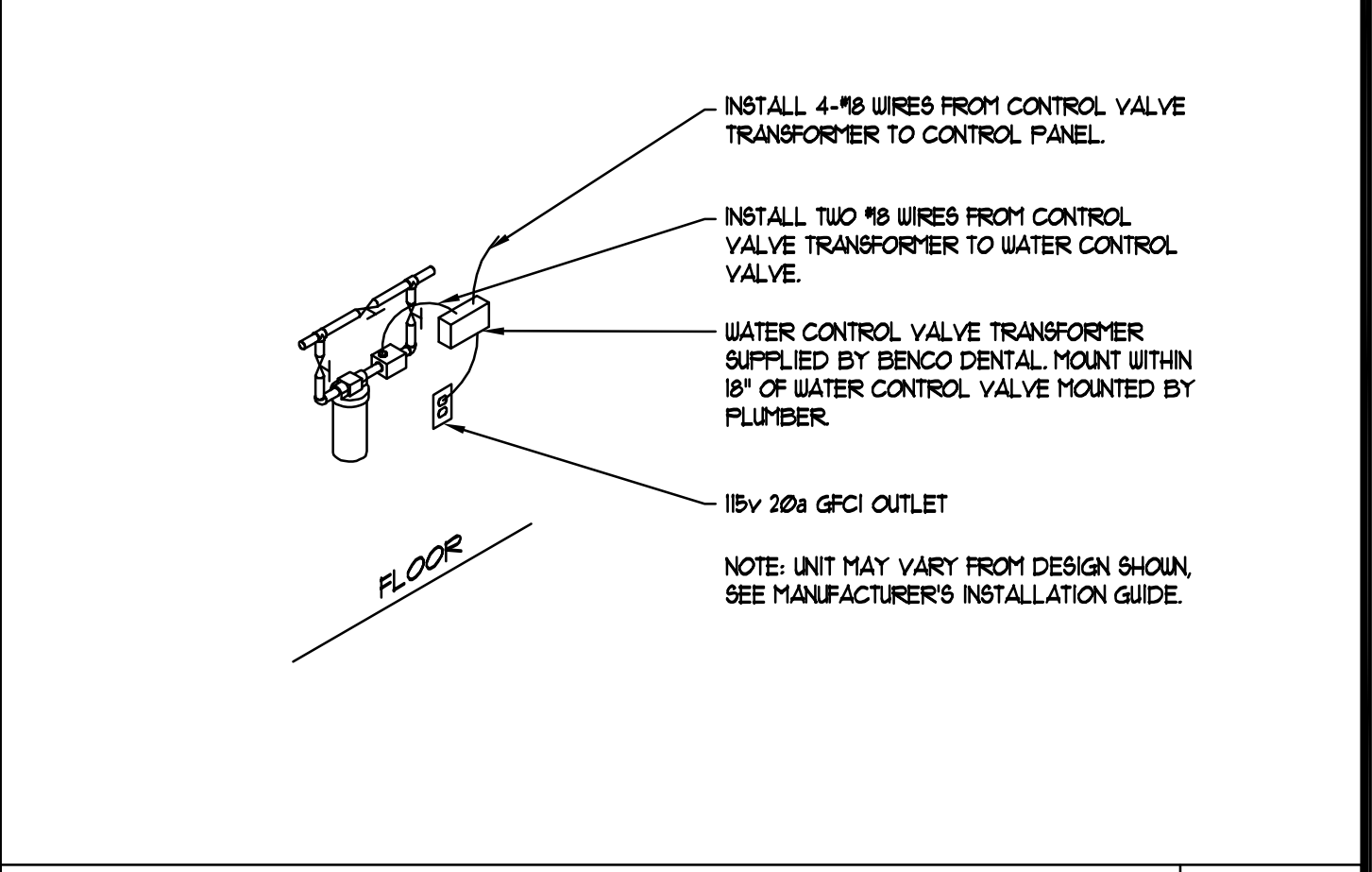
DETAIL - VACUUM PUMP 02

REF.: SOURCE: N.T.S.



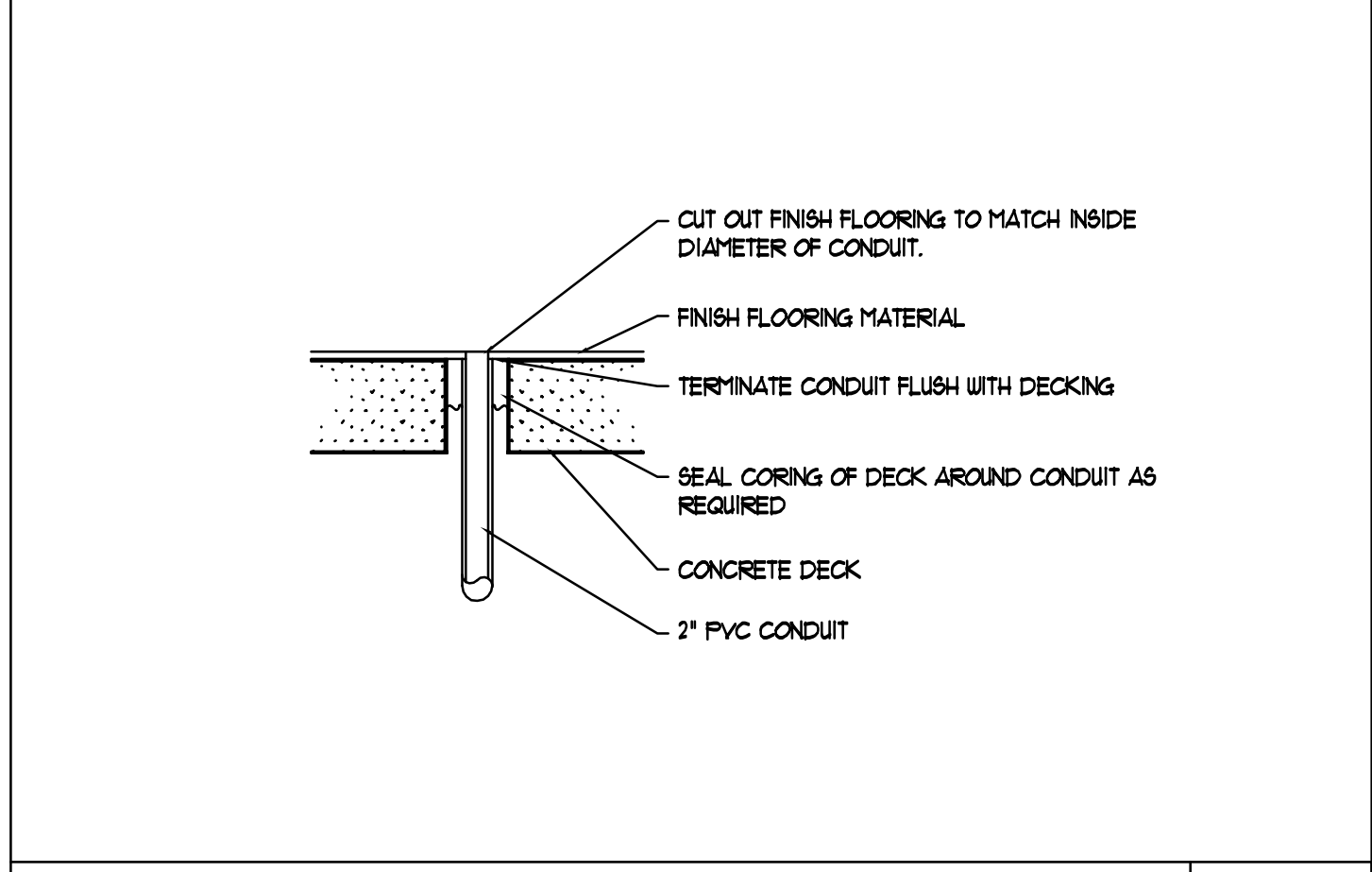
DETAIL - TREATMENT ROOM CONDUITS 07

REF.: SOURCE: N.T.S.



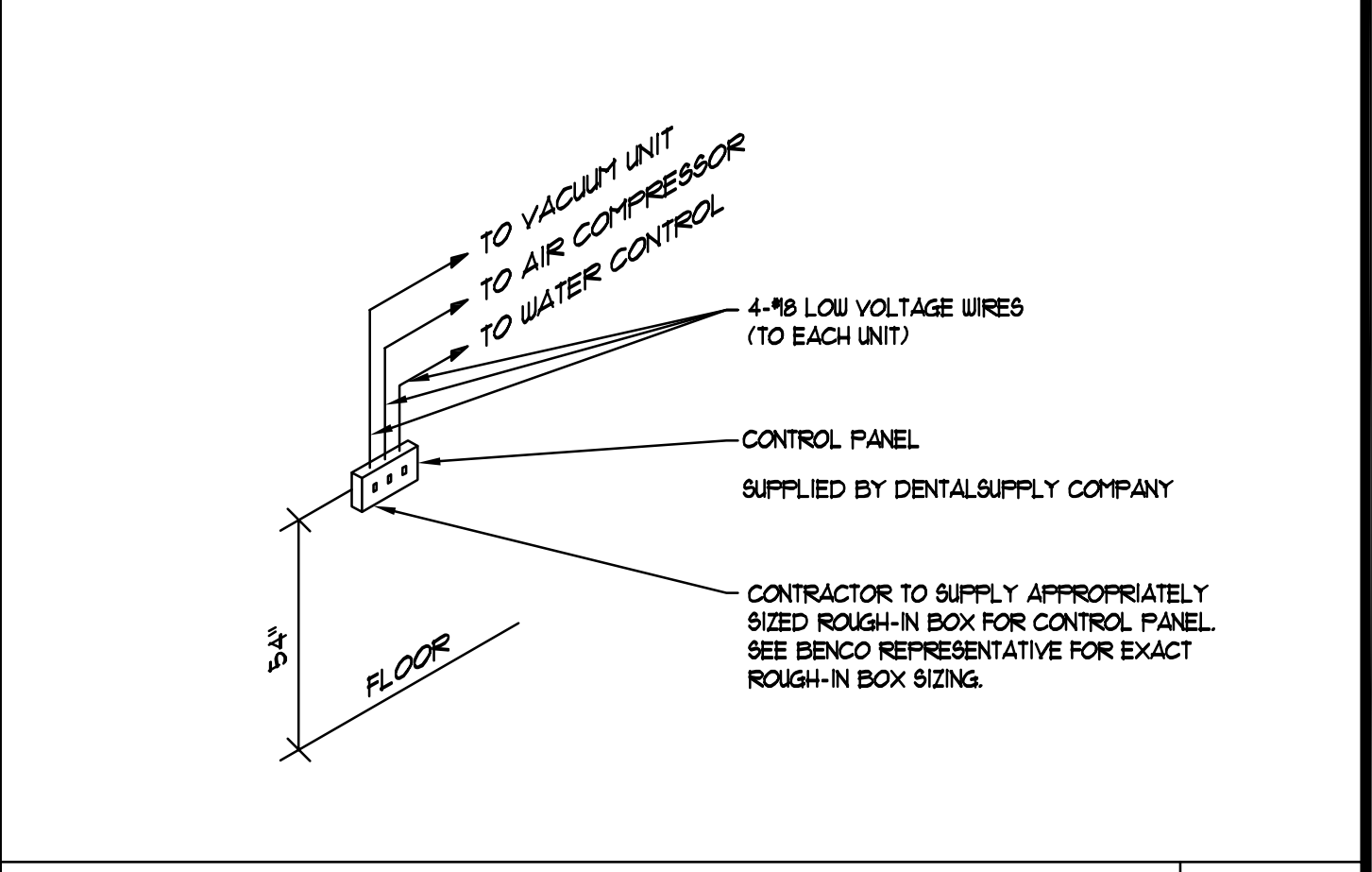
DETAIL - WATER CONTROL VALVE 03

REF.: SOURCE: N.T.S.



DETAIL - CONDUIT TERMINATION 08

REF.: SOURCE: N.T.S.



DETAIL - CONTROL PANEL 04

REF.: SOURCE: N.T.S.

SPLIT SYSTEM SCHEDULE			
MARK	AHU-8 / CU-8	AHU-9 / CU-9	AHU-10 / CU-10
MANUFACTURER:	GOODMAN	GOODMAN	GOODMAN
MODEL NUMBER COND UNIT:	DSXC180602	DSXC180603	DSXC180603
MODEL NUMBER AIR HANDLER:	ASPT9AC14	ASPT14BC14	ASPT14BC14
AIR HANDLER DATA			
CABINET TYPE (VERT / HORIZ)	HORIZONTAL	HORIZONTAL	HORIZONTAL
CFM TOTAL	2000	1600	1800
CFM O.A. - BALANCED AS PER CALC	SEE O.A. REQ.	SEE O.A. REQ.	SEE O.A. REQ.
LIQUID / SUCTION	3/8" / 1/8"	3/8" / 1/8"	3/8" / 1/8"
MOTOR: FLA/HP	6.65/1	6.65/1	6.65/1
ENT. AIR TEMPERATURE	95	95	95
LEAVING AIR TEMPERATURE	59	59	59
HEATING UNIT DATA			
KW	5.0 KW / 220V	5.0 KW / 208V	5.0 KW / 208V
STAGES	1	1	1
CONDENSING UNIT DATA			
NOMINAL COOLING (BTUH)	41000	51000	51000
COND. MCA	36.7 AMPS	36.7 AMPS	29.3 AMPS
COND MAX FUSE	60 AMPS	60 AMPS	50 AMPS
COMPRESSOR RLA / LRA	211 / 152.9	212 / 104	211 / 152.9
NO. COND. FANS	1	1	1
COND FAN: HP/FLA	1/3 / 2.80	1/3 / 2.80	1/3 / 2.80
AIR HANDLER - V / FH / 60	220 / 11 / 60	208 / 3 / 60	208 / 11 / 60
COND. UNIT - V / FH / 60	220 / 11 / 60	208 / 3 / 60	208 / 11 / 60
ENERGY ELEC. DATA			
MINIMUM SEER (OR EER) * 95 DEG F	18 SEER	18 SEER	18 SEER

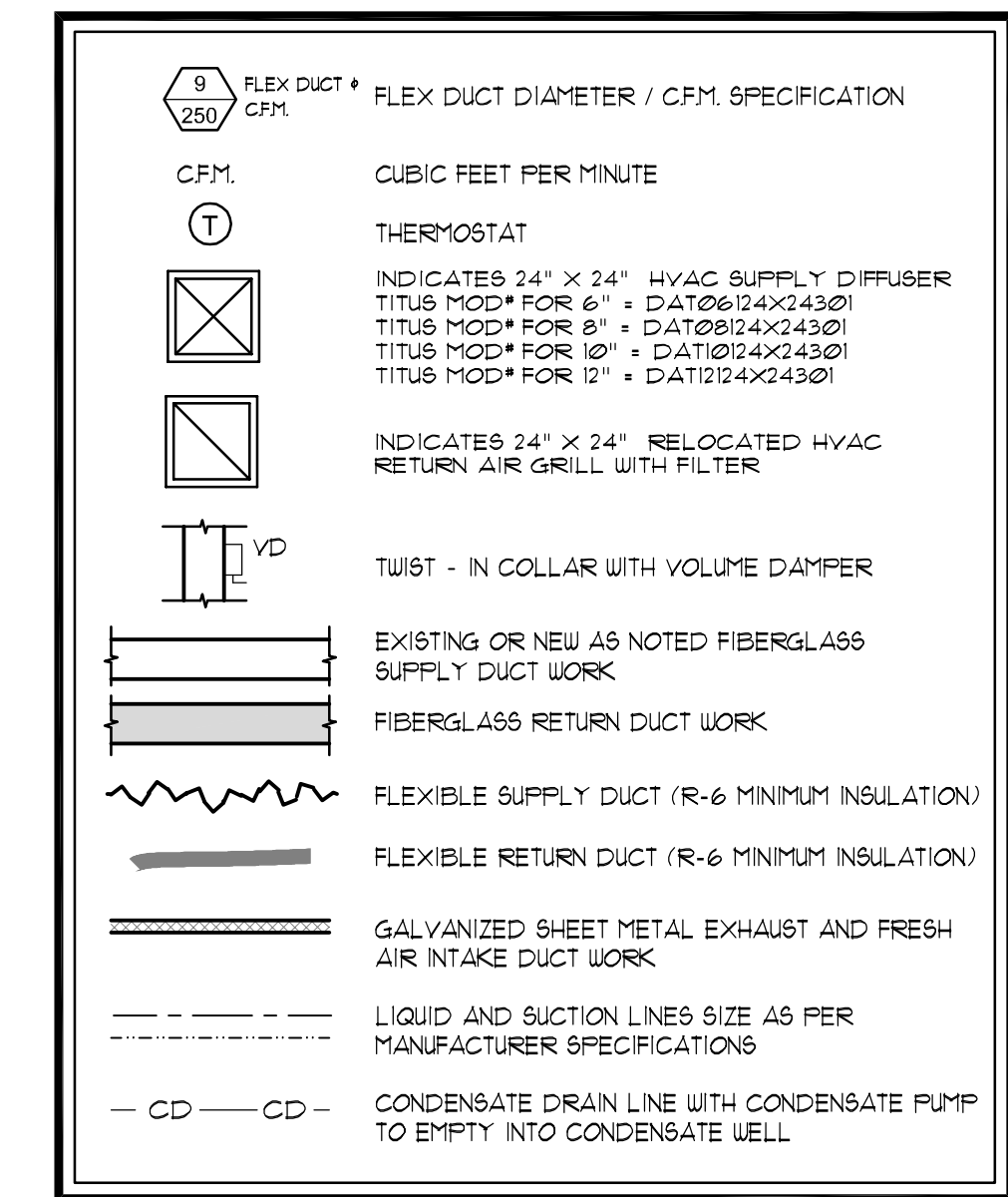
MECHANICAL AHU/CU SCHEDULES
SCALE: N.T.S.

NEW EXHAUST FAN EQUIPMENT SCHEDULE			
ITEM #	EF-1	EF-2	EF-3
MANUFACTURER	BROAN	BROAN	BROAN
MODEL	L-50	L-50	L-300
MOUNTING	CEILING	CEILING	CEILING
AREA SERVED	BATHROOMS	BREAKROOM	MECHANICAL
CONDITION OF SERVICE			
CFM	50	161	309
STATIC PRESSURE (W.G.)	0.1	0.15	0.3
RPM (MAX)	640	640	640
TIP SPEED (MAX)	-	-	-
DRIVE			
DIRECT	X	X	X
V-BELT			
FAN MOTOR			
AMPS	0.1	1.3	2.6
VOLTS	120	120	120
PHASE	1	1	1
CYCLE	60	60	60
MOTOR SPEEDS	SINGLE	SINGLE	SINGLE
TYPE OF MOTOR	CENTRIFUGAL	CENTRIFUGAL	CENTRIFUGAL
SPECIAL FEATURES			
BIRD SCREEN (MATERIAL)	ALUMINUM	ALUMINUM	ALUMINUM
OPTION GAGE	-	-	-
GAGE	-	-	-
MAT. (AL) (FIBR. GL) (OTHER)	STEEL	STEEL	STEEL
SPECIAL COATING	NO	NO	NO
BUILT IN DISCONNECT	YES	YES	YES
NOTE			

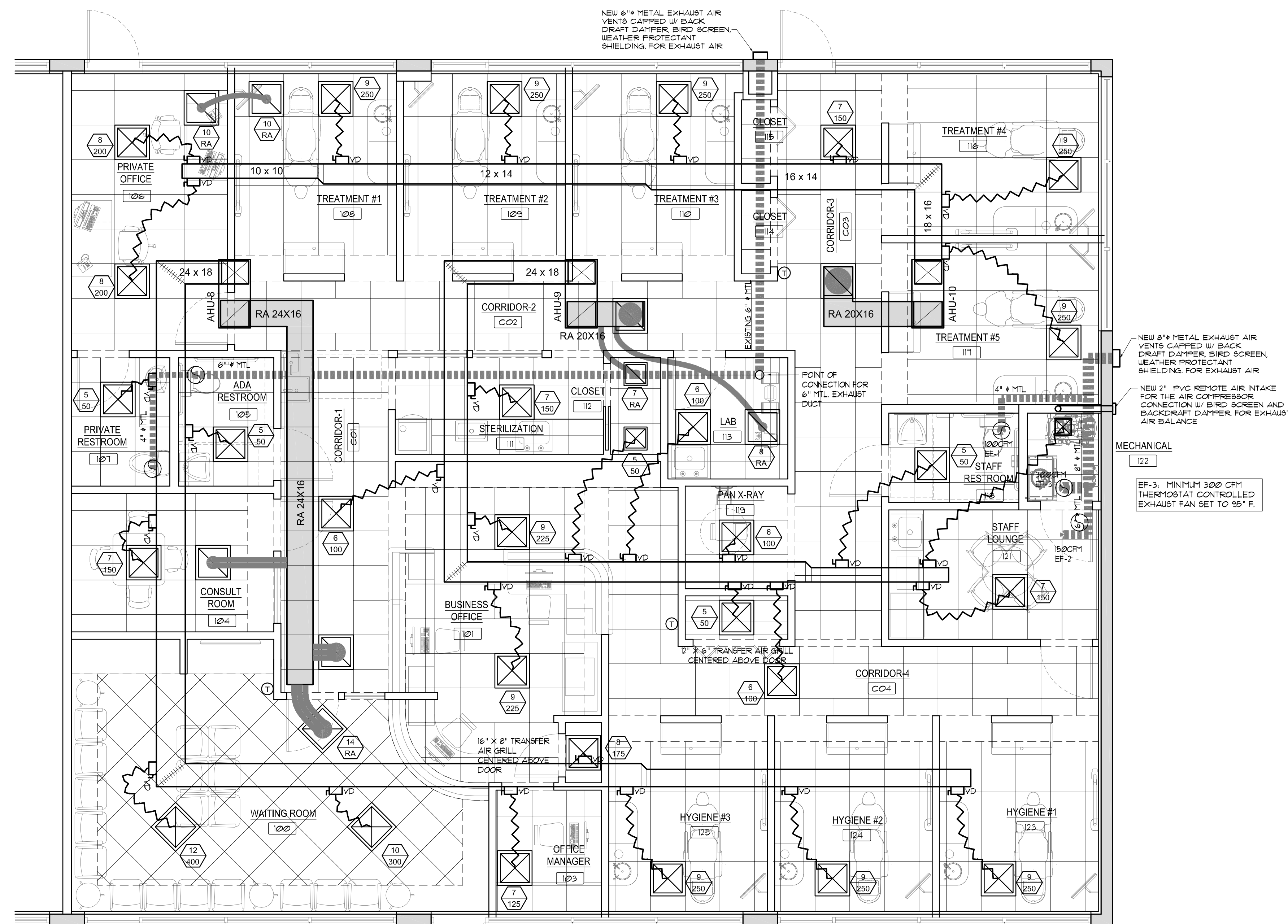
EXHAUST FAN SCHEDULES
SCALE: N.T.S.

OUTSIDE AIR CALCULATIONS			
THE FOLLOWING IS BASED ON FBC 2010 MECHANICAL CODE, TABLE 403.3			
OCCUPANCY CLASSIFICATION	SF SERVED	OCCUPANT LOAD	ESTIMATED OUTSIDE AIR REQUIRED (CFM)
ZONE 1: (AHU-8)			
MAIN ENTRY LOBBY	322 SF	15	(5) (15) + (0.06) (322) = 95 CFM
OFFICE SPACE	481 SF	4	(5) (4) + (0.06) (481) = 50 CFM
RESTROOM	91 SF	--	50 CFM PER WATER CLOSET OR URINAL = 100 CFM
ZONE 1 (AHU-8) TOTAL: 245 CFM			
ZONE 2: (AHU-9)			
OFFICE SPACE	461 SF	4	(5) (4) + (0.06) (551) = 54 CFM
CORRIDORS	537 SF	--	0.06 CFM PER SF = 33 CFM
ACCESSORY STORAGE	12 SF	--	0.12 CFM PER SF = 2 CFM
BREAK ROOM	90 SF	6	(5) (6) + (0.06) (90) = 36 CFM
RESTROOM	49 SF	--	50 CFM PER WATER CLOSET OR URINAL = 50 CFM
ZONE 2 (AHU-9) TOTAL: 115 CFM			
ZONE 3: (AHU-10)			
OFFICE SPACE	145 SF	4	(5) (4) + (0.06) (145) = 65 CFM
CORRIDORS	110 SF	--	0.06 CFM PER SF = 7 CFM
ACCESSORY STORAGE	18 SF	--	0.12 CFM PER SF = 3 CFM
ZONE 3 (AHU-10) TOTAL: 75 CFM			

MECHANICAL F/A CALCS
SCALE: N.T.S.



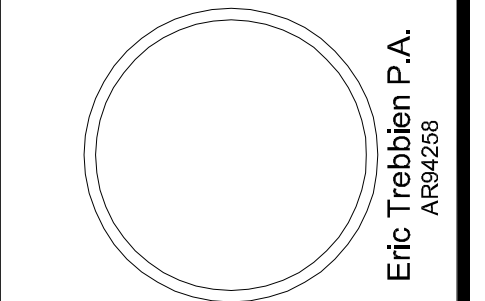
MECHANICAL LEGEND
SCALE: N.T.S.



WEST ELEVATION WITH 6'-0" CONTINUOUS OVERHANG



MECHANICAL PLAN
SCALE: 1/4" = 1'-0"



Treb Arc, Inc
Architecture, Planning, Design
740 NW 66th Avenue
Plantation, FL 33317
954.240.2614

The professional services of the designer and/or architect are undertaken for and are performed in the interest of the project owner. No contractual obligation is assumed by the designer and/or architect for the benefit of any other entity involved in the project. Existing conditions, the designer and/or architect disclaims any responsibility for the existing building structure and conditions, existing construction elements, or any other documents, drawings, or other documents related to or intended to be used for any part or parts of the project, which do not bear the architect's seal. This drawing has been prepared by the Architect, or under the Architect's direct supervision. The drawing is provided as an instrument of service by the Designer/Architect and is intended for the use of the project only. Pursuant to the Architectural Code of the State of Florida, the Designer/Architect shall not be held liable for the design and/or construction of the building and/or systems and/or equipment unless the original copyright work of the Architect. Not for construction unless all applicable permits are obtained. Any reproduction, use, or disclosure of information contained herein without the prior written consent of the Architect is strictly prohibited. © Copyright 2013 by Treb Arc, Inc.

SHEET TITLE
Mechanical Plan, Schedules, and Notes
PROJECT NAME
Interior Tenant Improvement for: Garden Dental Spa - Dr. William Strauss, DMD
11380 Prosperity Farms Rd, suite 108-109
Palm Beach Gardens, Florida 33410

REVISIONS:
RELEASED FOR: PERMIT
DATE: 06/28/2013
PROJECT: 13137

M-1

MECHANICAL GENERAL NOTES

- INTENT OF THESE NOTES AND MECHANICAL NOTES ON DRAWINGS IS TO CLARIFY THE SCOPE OF WORK AND ALERT CONTRACTOR OF EXISTING CONDITIONS. CONTRACTOR TO VISIT SITE AND VERIFY ALL CLEARANCES BEFORE FABRICATION OF DUCTWORK AND PROVIDE ADDITIONAL OFFSET AND/OR CHANGES IN DUCT SIZES TO MEET FIELD CONDITIONS AND COORDINATE WITH ELECTRICAL, PLUMBING AND FIRE PROTECTION SUBCONTRACTOR BEFORE ANY CONSTRUCTION WORK.
- ALL SUPPLY AND RETURN DUCTWORK SHALL BE EXTERNALLY INSULATED SHEET METAL CONSTRUCTION IN ACCORDANCE WITH LATEST SHACNA STANDARDS. INSULATION SHALL HAVE AN INSTALLED MINIMUM THERMAL RESISTANCE (R) VALUE OF 6.0. ALL EXHAUST DUCTWORK SHALL BE UNINSULATED SHEET METAL CONSTRUCTION IN ACCORDANCE WITH LATEST SHACNA STANDARDS. ALL JOINTS SHALL BE SECURELY TAPED WITH 3" WIDE GLASS FABRIC TAPE WITH FOSTER 3035 MASTIC OR EQUAL NOTE: ALL SUPPLY AND RETURN AIR DUCTS 9"-Ø AND GREATER FROM THE ROOFTOP UNIT MAY BE AT OWNER'S OPTION, MINIMUM R-6 RIGID FIBERGLASS DUCT BOARD. OWNER SHALL SUBMIT A LETTER TO ENGINEER TO AUTHORIZE THE USE OF FIBERGLASS DUCT BOARD. FLEXIBLE DUCTS: EITHER SPIRAL ROUND SPRING STEEL WITH FLAMEPROOF VINYL SHEATHING OR CORRUGATED ALUMINUM. COMPLY WITH UL 81. PROVIDE 1" THICK CONTINUOUS FLEXIBLE FIBERGLASS SHEATH WITH VINYL VAPOR BARRIER JACKET.
- DUCT SHALL BE SECURELY SUPPORTED, HUNG OR SUSPENDED IN ACCORDANCE WITH SECTION 603 OF THE FLORIDA BUILDING CODE MECHANICAL 2010.
- ROOF TOP UNIT OUTSIDE AIR INTAKE SHALL MAINTAIN A MINIMUM OF 10'-0" FROM ANY EXHAUST OR SANITARY VENT THROUGH ROOF PILING. ALL TRANSFER DUCTWORK LEADING TO REST ROOMS SHALL HAVE A ZERO LEAKAGE BACK DRAFT DAMPER AS SHOWN ON MECHANICAL DRAWINGS.
- PROVIDE ALL ROOF TOP UNITS WITH MANUFACTURERS RECOMMENDED SERVICE AREA CLEARANCES AND ELECTRICAL CONVENIENCE OUTLETS.
- ALL ROOF TOP UNITS SHALL BE REINFORCED TO WITHSTAND LOCAL WIND LOAD DESIGN SEE STRUCTURAL DRAWING(S) FOR DETAIL(S) /CONSULT WITH BUILDING STRUCTURAL ENGINEER
- FAN CONTROL SHUTDOWN DEVICE SHALL BE LOCATED IN THE SUPPLY AIR PRIOR TO MIXING W/ FRESH AIR UNITS WITH 2000 CFM OR LESS MAY USE A FIRESTAT INSTEAD OF SMOKE DETECTOR.
- SMOKE DETECTORS SHALL BE INSTALLED IN SUPPLY AIR SYSTEM WITH A DESIGN CAPACITY GREATER THAN 2000 CFM IN THE SUPPLY AIR DUCT WHERE MULTIPLE AIR HANDLING SYSTEMS SHARE A COMMON SUPPLY OR RETURN AIR DUCTS OR FLENUMS WITH A COMBINED DESIGN CAPACITY GREATER THAN 2000 CFM. THE RETURN AIR AND SUPPLY AIR SYSTEM SHALL BE PROVIDED WITH SMOKE DETECTORS. SMOKE DETECTORS SHALL BE INSTALLED, TESTED AND MAINTAINED IN ACCORDANCE WITH NFPA 72 NATIONAL FIRE ALARM CODE. SMOKE DETECTORS SHALL BE INSTALLED IN ACCORDANCE WITH THE MANUFACTURERS INSTRUCTIONS AND SHALL BE ACCESSIBLE FOR CLEANING BY PROVIDING ACCESS DOOR OR PANEL IN ACCORDANCE WITH NFPA 30A STANDARD FOR INSTALLATION OF AIR-CONDITIONING & VENTILATING SYSTEMS. NOTE: DUCT SMOKE DETECTORS SHOULD BE LOCATED IN THE ZONE BETWEEN 6 AND 10 DUCT-EQUIVALENT DIAMETERS OF STRAIT AND UNINTERRUPTED RUN.
- IN GENERAL, PLANS AND DIAGRAMS ARE SCHEMATIC ONLY AND SHOULD NOT BE SCALED. HVAC CONTRACTOR IS RESPONSIBLE FOR ANY ADDED ELECTRICAL COSTS WHICH MAY RESULT FROM SUBSTITUTED EQUIPMENT.
- DUCTWORK INSULATION SHALL BE 1-1/2" FOIL FACED FIBERGLASS DUCT WRAP.
- COORDINATE AIR DEVICE LOCATIONS WITH LIGHTING FIXTURES.
- TURNING VANES SHALL BE PROVIDED IN ALL SUPPLY DUCT RECTANGULAR ELBOWS WITH ANGLES BETWEEN 15 DEGREES AND LESS THAN 90 DEGREES PER FIG. 2-9 OF THE SHACNA MANUAL.
- DUCT DIMENSIONS SHOWN ON DRAWINGS ARE CLEAR INSIDE DIMENSIONS. DUCTWORK, DIFFUSERS, REGISTERS, GRILLES, AND OTHER ITEMS OF THE AIR HANDLING SYSTEM SHALL NOT BE SUPPORTED BY THE CEILING OR CEILING SUSPENSION SYSTEM.
- IN OCCUPANCIES REQUIRED TO BE EQUIPPED W/ A FIRE ALARM SYSTEM, THE DUCT SMOKE DETECTORS SHALL BE CONNECTED TO THE FIRE ALARM PANEL. THE ACTIVATION OF SMOKE DETECTOR SHALL ACTIVATE A VISIBLE & AUDIBLE SUPERVISORY SIGNAL AT A CONSTANTLY ATTENDED LOCATION. (SUPERVISORY SIGNAL AT A CONSTANTLY ATTENDED LOCATION IS NOT REQUIRED WHERE THE DUCT SMOKE DETECTOR ACTIVATES THE BUILDING FIRE ALARM) INDICATING APPLIANCES/THE SMOKE DETECTOR(S) SHALL BE FURNISHED AND INSTALLED BY THE MECHANICAL CONTRACTOR WIRED BY THE ELECTRICAL OR FIRE ALARM CONTRACTOR. IN OCCUPANCIES NOT REQUIRED TO BE EQUIPPED WITH A FIRE ALARM SYSTEM, ACTIVATION OF A SMOKE DETECTOR SHALL ACTIVATE A VISIBLE & AUDIBLE SIGNAL IN AN APPROVED LOCATION WHERE IN DUCT SMOKE DETECTORS ARE INSTALLED IN A CONCEALED LOCATIONS MORE THAN 10FT ABOVE FINISHED FLOOR OR IN ARRANGEMENTS WHERE THE DETECTORS ALARM OR SUPERVISORY INDICATOR IS NOT VISIBLE TO RESPONDING PERSONNEL, THE DETECTORS SHALL BE PROVIDED WITH REMOTE ALARM OR SUPERVISORY SIGNAL IN A LOCATION ACCEPTABLE TO THE AUTHORITY HAVING JURISDICTION. A REMOTE SUPERVISORY INDICATORS SHALL BE INSTALLED IN AN ACCESSIBLE LOCATION AND SHALL BE CLEARLY LABELED TO INDICATE BOTH THEIR FUNCTION AND THE AIR-HANDLING/RTU UNIT(S) ASSOCIATED WITH EACH DETECTOR.
- ALL SUPPLY AIR DIFFUSERS SHALL BE 4-WAY THRU UNLESS OTHERWISE NOTED.
- UNLESS OTHERWISE NOTED, INSTALL DUCTWORK AS HIGH AS POSSIBLE, TIGHT TO BOTTOM OF STRUCTURE. COORDINATE DUCT ELEVATION WITH RAIN LEADERS, WATER PIPING, SANITARY DRAINS AND MAJOR ELECTRICAL CONDUITS.
- CONTRACTOR SHALL PROVIDE ALL SUPPLEMENTARY STEEL REQUIRED TO SUSPEND MECHANICAL EQUIPMENT AND MATERIALS. INSTALLATION OF THE EQUIPMENT SHALL COMPLY WITH THE MANUFACTURERS SPECIFICATIONS AND CLEARANCE REQUIREMENTS FOR SERVING OF EQUIPMENT.
- VERIFY VOLTAGE WITH ELECTRICAL BEFORE ORDERING EQUIPMENT.
- PROVIDE A TRAP IN ALL CONDENSATE PIPING LOCATED AT THE ROOFTOP UNIT. SLOPE CONDENSATE LINES 1/8" PER FOOT. CONDENSATE LINES SHALL BE PVC SCH 40. ALL CONDENSATE DRAIN PIPING ON ROOF SHALL BE PROPERLY SUPPORTED. SEE 'CONDENSATE PIPE SUPPORT ON ROOF' DETAIL.
- ALL MECHANICAL WORK SHALL MEET ALL THE REQUIREMENTS OF THE 'FLORIDA MECHANICAL CODE 2010'.
- GUARANTEE FOR ONE YEAR AFTER DATE OF ACCEPTANCE BY THE OWNER, ALL EQUIPMENT, MATERIALS AND WORKMANSHIP TO BE FREE FROM DEFECT.
- DO NOT CUT STRUCTURAL MEMBERS WITHOUT PRIOR WRITTEN APPROVAL OF THE STRUCTURAL ENGINEER OR ARCHITECT. ARRANGE FOR REPAIRS REQUIRED TO RESTORE OTHER WORK, BECAUSE OF DAMAGE CAUSED AS A RESULT OF MECHANICAL INSTALLATIONS.
- FLEXIBLE AND RIGID ROUND DUCT TAKE-OFFS FOR DIFFUSERS SHALL BE THE SAME SIZE AS DIFFUSER NECK. MAXIMUM FLEXIBLE DUCT LENGTH SHALL BE 8'-0". FLEXIBLE DUCT SHALL BE THERMAFLEX TYPE M-KA OR EQUAL, AND BE UL LISTED AND COMPLY WITH NFPA STANDARD N030A.
- ALL WALL MOUNTED THERMOSTATS SHALL BE INSTALLED AT AN ELEVATION OF 5'-4" ABOVE FINISHED FLOOR TO THE TOP UNLESS OTHERWISE NOTED ON DRAWINGS. LOCATION OF THE WALL MOUNTED THERMOSTAT SHALL BE COORDINATED WITH OTHER TRADES FOR A NEAT APPEARANCE. FINAL LOCATION OF THERMOSTAT SHALL BE SUBJECT TO THE APPROVAL OF THE ENGINEER OR HIS REPRESENTATIVE IN THE FIELD.
- ALL UNITS SHALL BE BALANCED TO WITHIN 10 PERCENT OF THE DESIGN AIR QUANTITY. BALANCE DIFFUSERS AND REGISTERS TO WITHIN 10 PERCENT OF QUANTITIES SHOWN ON DRAWINGS.
- PROVIDE FLEXIBLE NEOPRENE DUCT CONNECTORS ON THE DISCHARGE AND ENTERING SIDES OF ALL VIBRATING EQUIPMENT TO WHICH DUCTWORK IS ATTACHED.
- NOT USED
- THE GENERAL CONTRACTOR IS RESPONSIBLE FOR ALL TRADES INSTALLATION SCHEDULES. FIXED WORK SUCH AS DUCTWORK AND PLUMBING SHALL BE INSTALLED PRIOR TO ANY TRADE WORK THAT CAN BE EASILY RELOCATED OR OFFSET SUCH AS ELECTRICAL CONDUITS, SMALL WATER LINES ETC.
- ERRORS OR OMISSIONS, WHEN THE INTENT OF ARCHITECT/ENGINEER WITH REGARD TO ANY DETAIL IS NOT CLEAR, OR IS CAPABLE OF MORE THAN ONE INTERPRETATION, SUCH MATTERS WILL BE BROUGHT TO THE ATTENTION OF THE ARCHITECT/ENGINEER IN WRITING BEFORE THE SUBMISSION OF BIDS, AND THE ARCHITECT/ENGINEER SHALL MAKE CORRECTION OR EXPLANATION IN WRITING. OTHERWISE, NO EXTRA CHARGE WILL BE ALLOWED FOR THE WORK OR MATERIAL WHICH THE ARCHITECT/ENGINEER WILL REQUIRE, PROVIDED THAT IT COMES WITHIN A REASONABLE INTERPRETATION OF THE DRAWINGS AND SPECIFICATIONS.
- PLANS AND SPECIFICATIONS ARE INTENDED AS A GENERAL DESCRIPTION OF THE WORK TO BE PERFORMED. ALL ITEMS NOT SPECIFICALLY MENTIONED OR SHOWN BUT NECESSARY FOR THE COMPLETION OF THE INSTALLATION SHALL BE FURNISHED AND INSTALLED BY THIS CONTRACTOR. THIS CONTRACTOR SHALL THOROUGHLY ACQUAINT HIMSELF WITH THE MECHANICAL, ARCHITECTURAL, STRUCTURAL AND ELECTRICAL PLANS BEFORE SUBMITTING HIS FINAL BID. NO ADDITIONAL COMPENSATION WILL BE ALLOWED DUE TO THE CONTRACTOR'S FAILURE TO FAMILIARIZE HIMSELF/HERSELF WITH THE PLANS.

TYPICAL SEQUENCE OF OPERATION

THE A/C UNIT SHALL BE STARTED AND STOPPED FROM A ROOM THERMOSTAT. ON A CALL FOR COOLING, THE THERMOSTAT SHALL ENERGIZE THE COMPRESSOR(S) TO MAINTAIN SET POINT. ON A CALL FOR HEATING, THE THERMOSTAT SHALL ENERGIZE THE ELECTRIC HEAT IN STAGE(S) TO MAINTAIN SET POINT. SUPPLY FAN SHALL RUN CONTINUOUSLY DURING OCCUPIED HOURS.

F.B.C. - MECHANICAL, 2010

MAKEUP AIR:
MAKEUP AIR SHALL BE PROVIDED AT A RATE APPROXIMATELY EQUAL TO THE RATE THAT AIR IS EXHAUSTED BY THE EXHAUST SYSTEM. MAKEUP AIR INTAKES SHALL BE LOCATED SO AS TO AVOID RECIRCULATION OF CONTAMINATED AIR.

PMC 4015.1

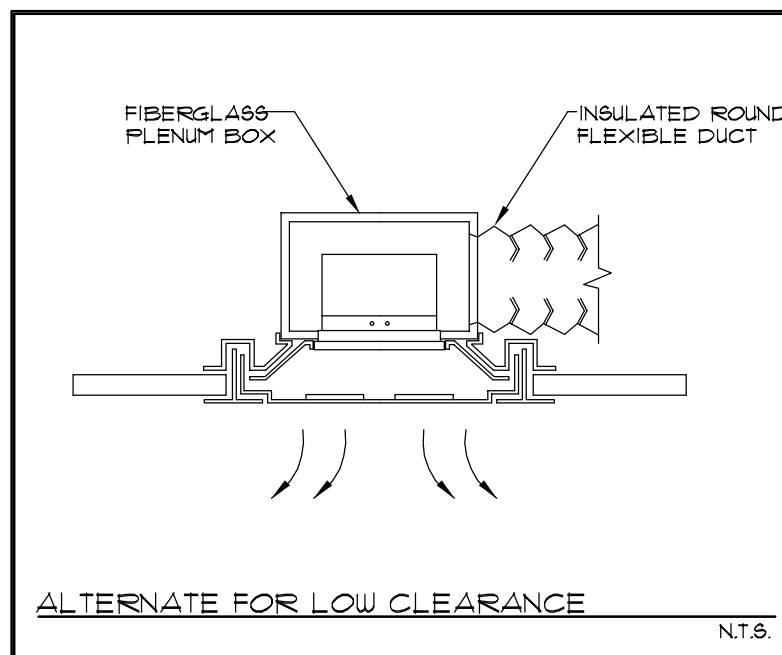
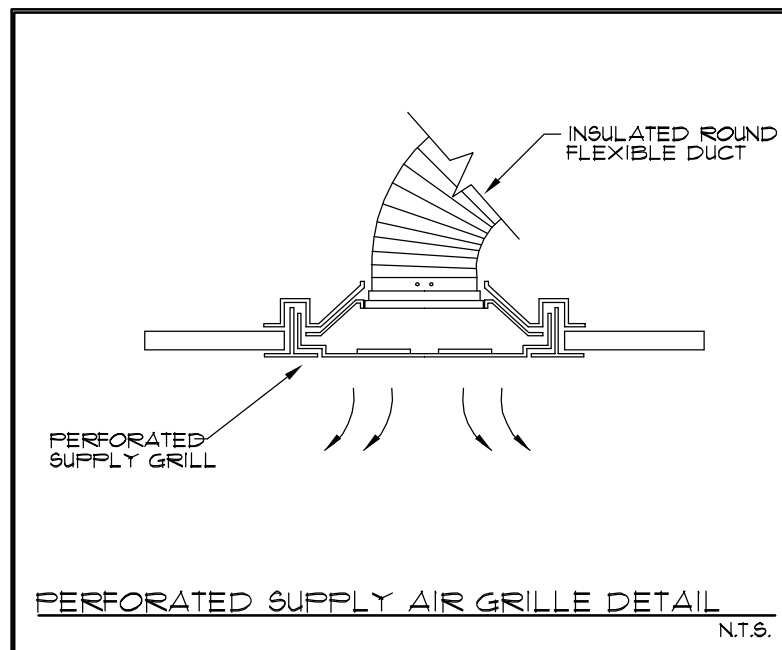
O/A INTAKES SHALL BE MINIMUM 10 FEET HORIZONTAL DISTANCE FROM ALL VENTS

FBC 1509.6/PMC 306.5

BUILDINGS MORE THAN 16 FEET IN HEIGHT SHALL HAVE PERMANENT MEANS OF ACCESS TO EQUIPMENT. - NOT APPLICABLE

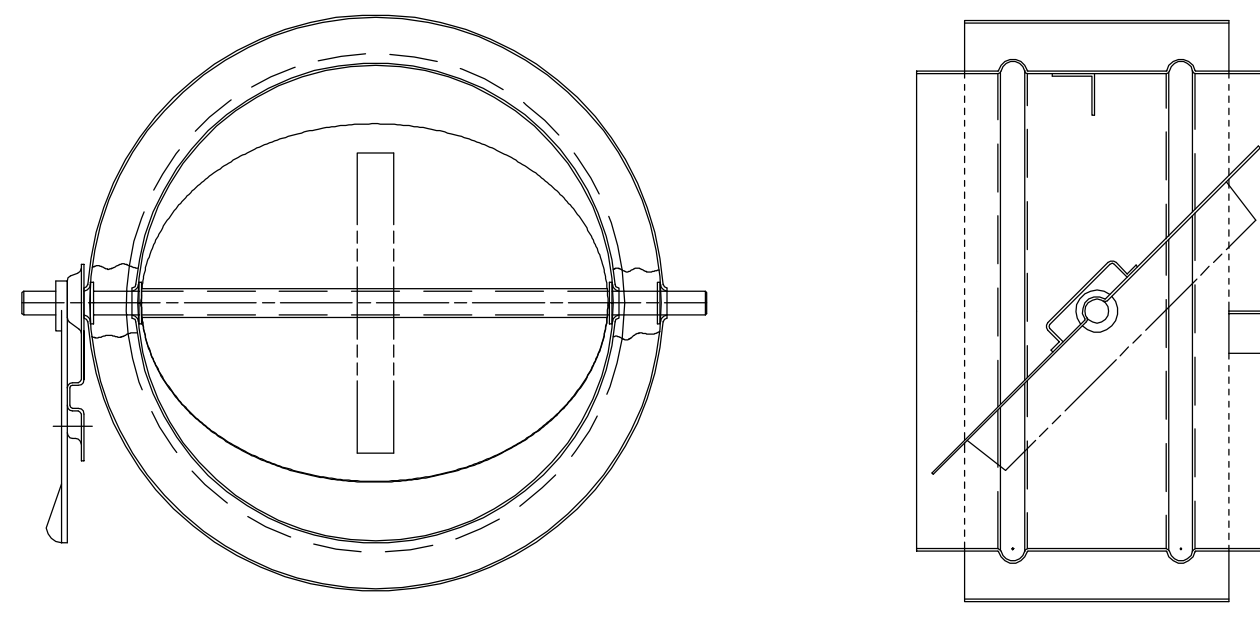
PMC 304.3

MECHANICAL EQUIPMENT LOCATED WITHIN 10 FEET OF ROOF EDGE. REQUIRES MINIMUM 42" HIGH RAILING - NOT APPLICABLE



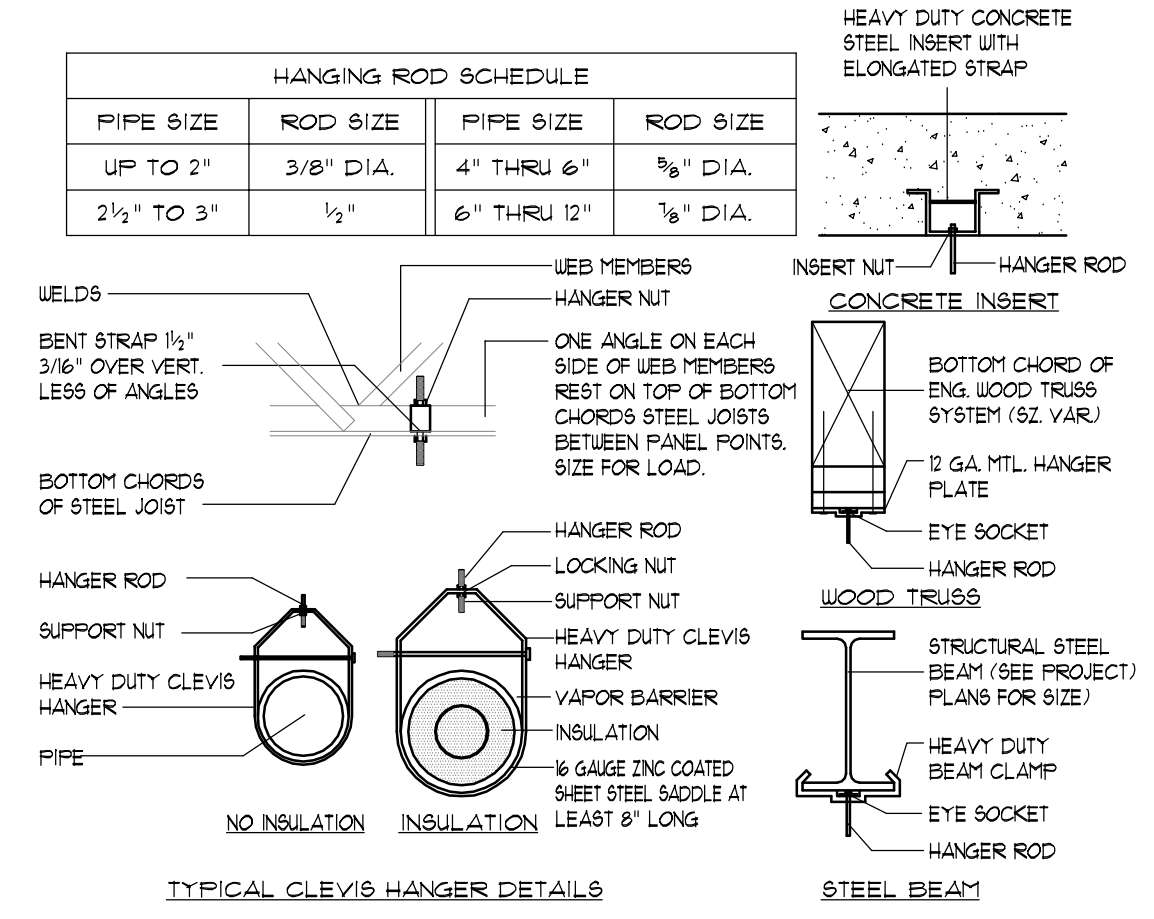
GRILLE INSTALL DETAILS

SCALE: N.T.S.



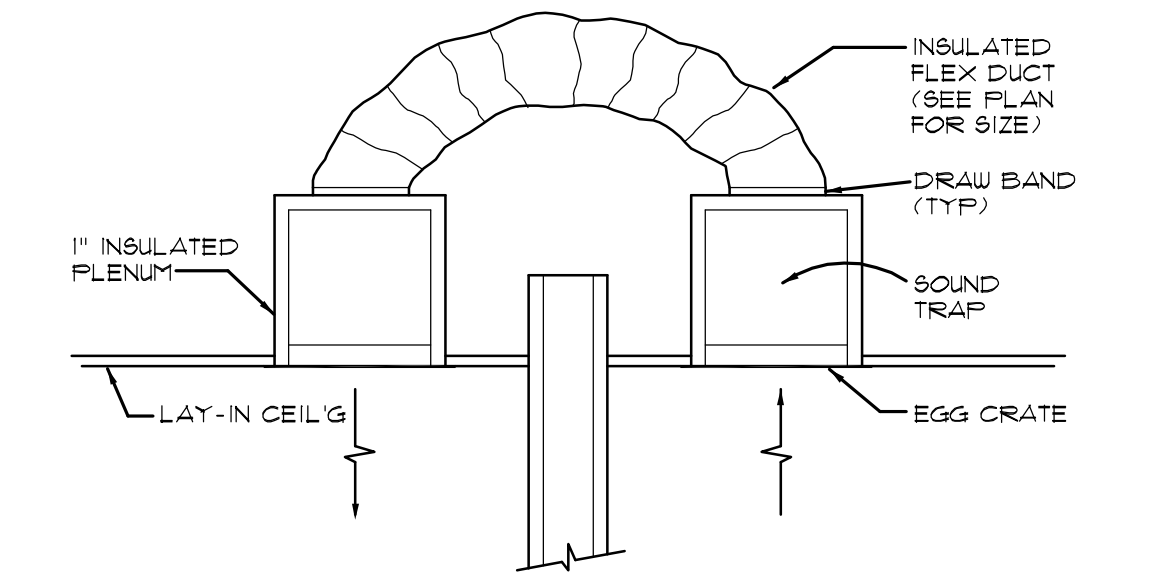
BACKDRAFT DAMPER DETAIL

SCALE: N.T.S.



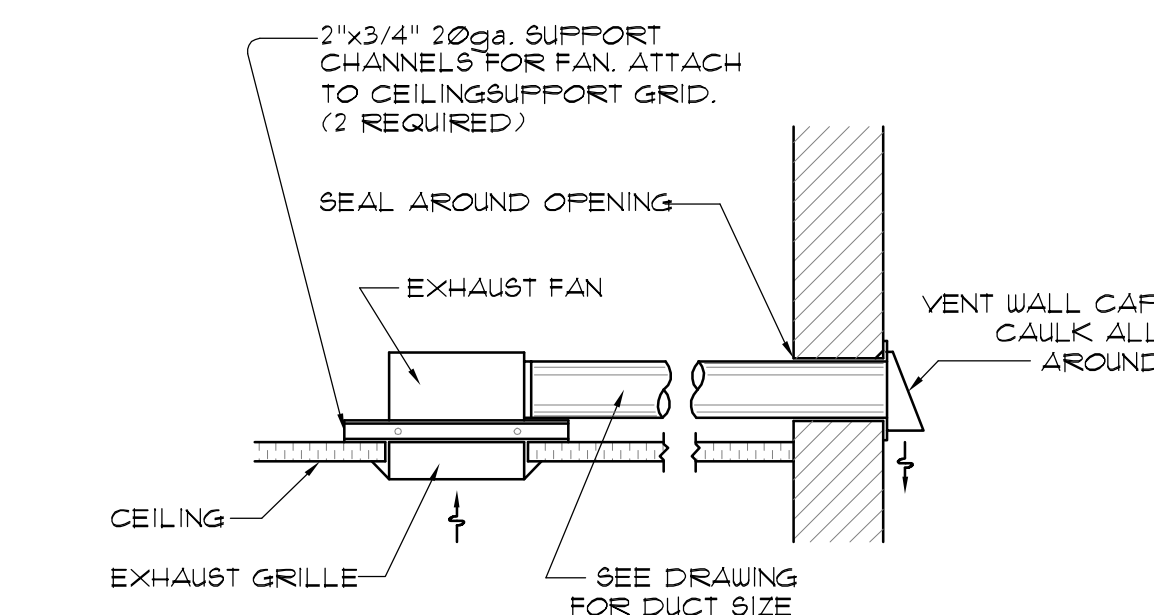
TYPICAL PIPE SUPPORTS

SCALE: N.T.S.



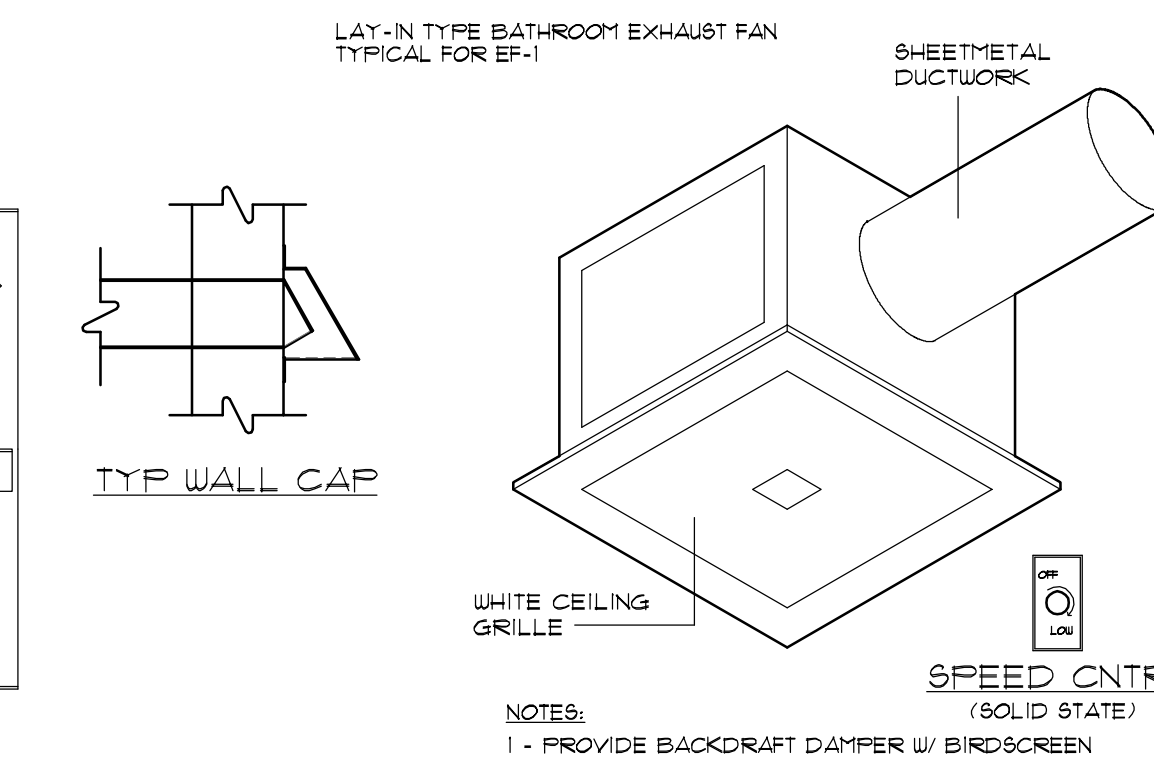
RETURN AIR TRANSFER

SCALE: N.T.S.



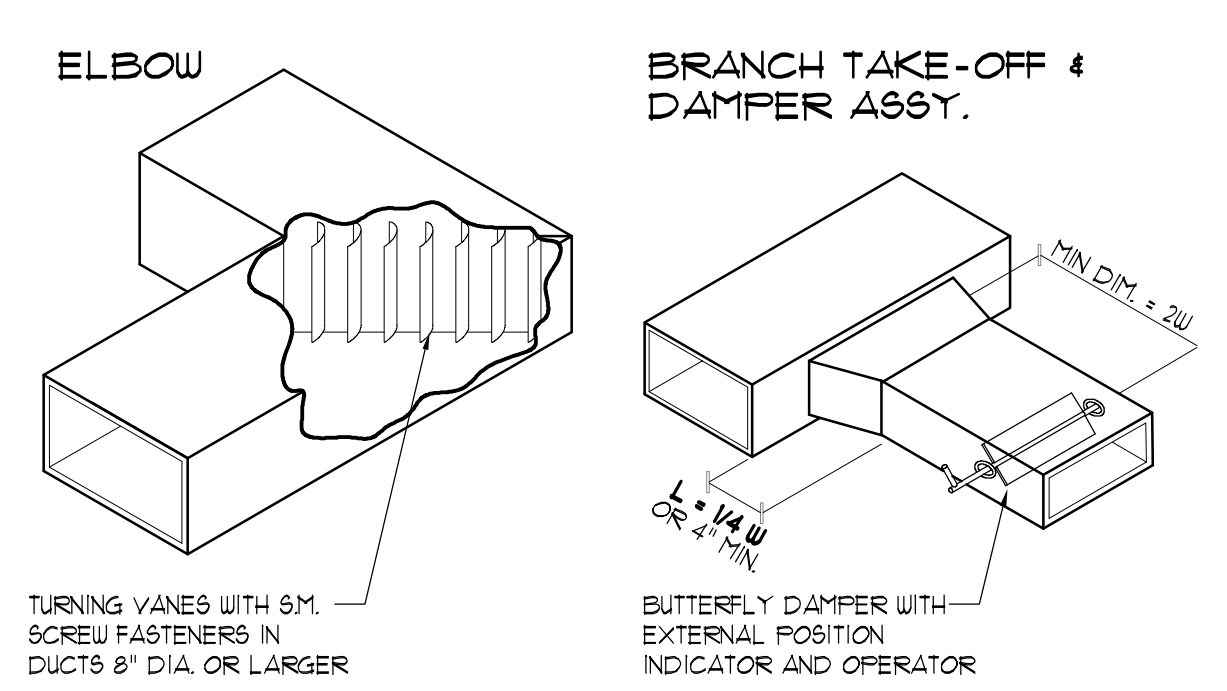
EXHAUST FAN DETAIL

SCALE: N.T.S.



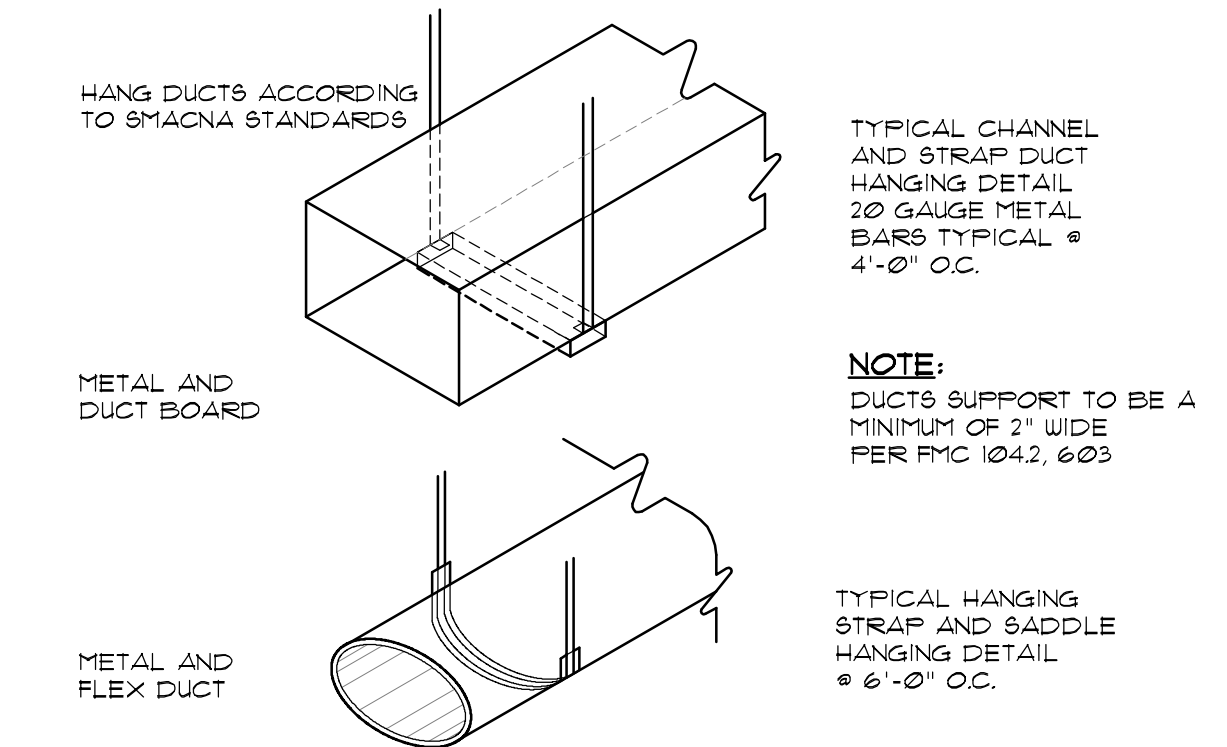
CABINET CEILING FAN

SCALE: N.T.S.



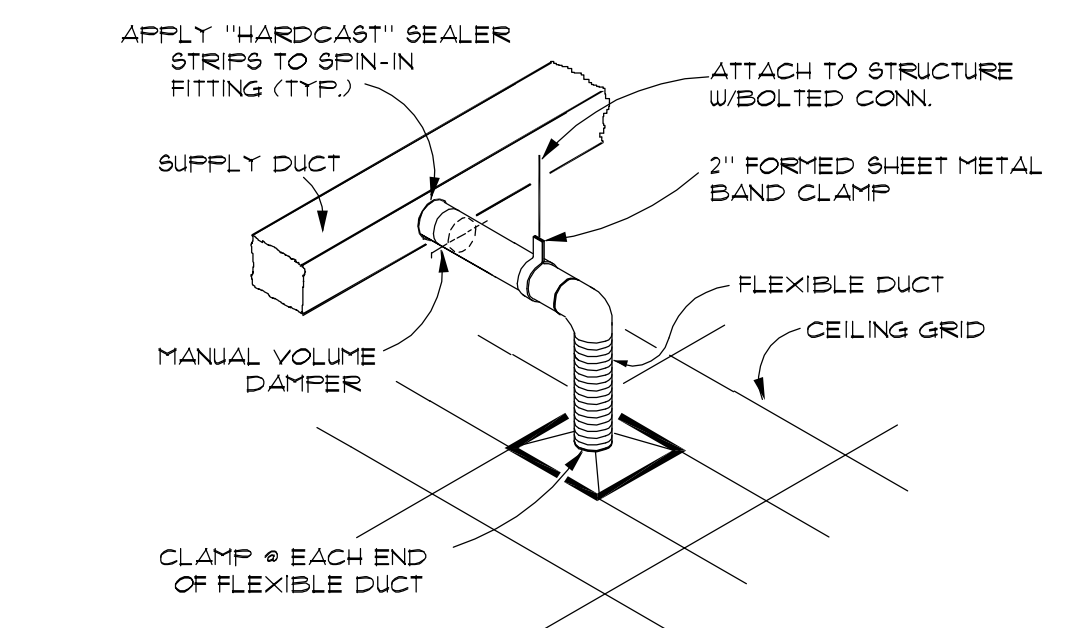
TYPICAL DUCT DETAIL

SCALE: N.T.S.



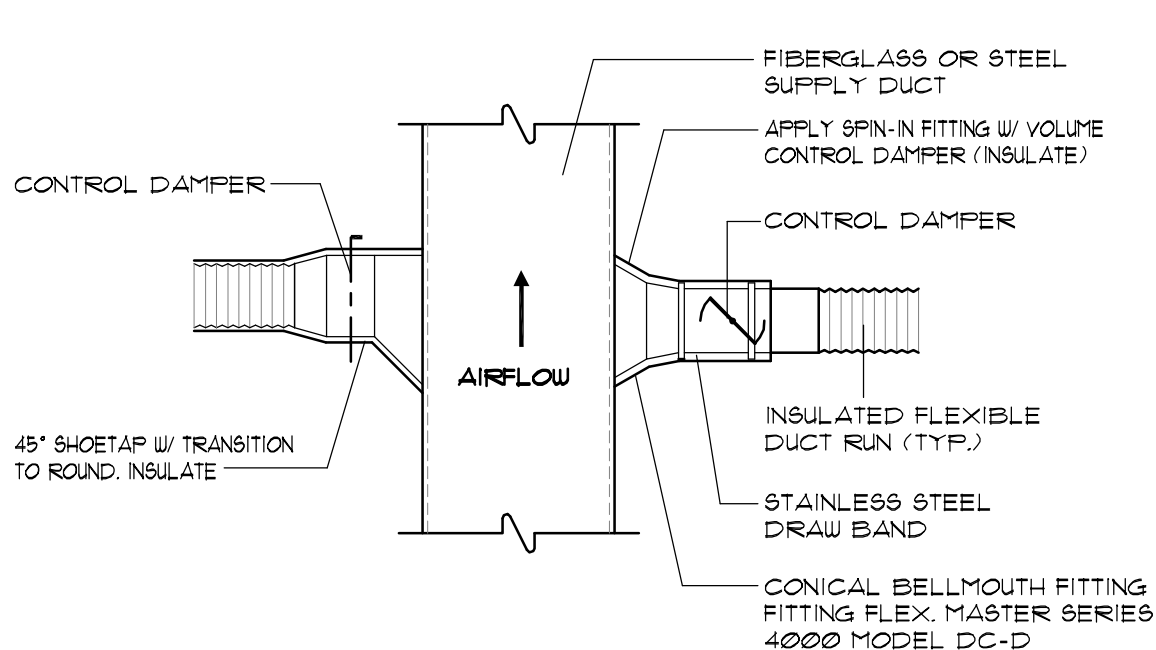
DIFFUSER RUN OUT DETAIL

SCALE: N.T.S.



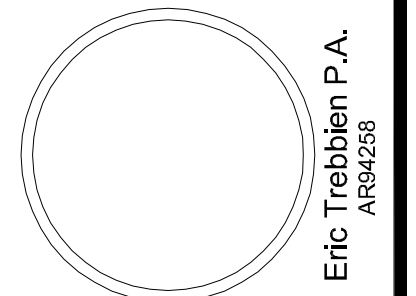
DIFFUSER RUN OUT DETAIL

SCALE: N.T.S.



FLEX DUCT CONNECTIONS

SCALE: N.T.S.



Treb Arc, Inc
Architecture, Planning, Design
740 NW 66th Avenue
Plantation, FL 33317
954.240.2614

The professional services of the designer and/or Architect are undertaken for and are performed in the interest of the project owner. No contractual obligation is assumed by the designer and/or the Architect for the benefit of any other entity involved in the project.
Existing conditions: The designer and/or Architect disclaims any responsibility for the existing building structure and conditions, existing construction elements, or any other documents, drawings, or other records related to or intended to be used for any part or parts of the project, which do not bear the Architect's seal.
This drawing has been prepared by the Architect, or under the Architect's direct supervision. This drawing is provided as an instrument of service by the Designer/Architect and is intended for the use of the project only. Pursuant to the Architectural Code Copyright Protection Act of 1980, all Drawings, Specifications, Notes, and Details, including the overall form, arrangement and composition of the title block and elements appearing hereon, constitute the original copyrighted work of the Architect. Not for construction unless all applicable permits are obtained. Any reproduction, use, or disclosure of information contained herein without the prior written consent of the Architect is strictly prohibited. © Copyright 2013 by Treb Arc, Inc.

SHEET TITLE
Mechanical Details

PROJECT NAME
Interior Tenant Improvement for:
Garden Dental Spa - Dr. William Strauss, DMD
11380 Prosperity Farms Rd, suite 108-109
Palm Beach Gardens, Florida 33410

REVISIONS:

RELEASED FOR: PERMIT

DATE: 06/28/2013

PROJECT: 13137

M-2

The professional services of the designer and/or architect are undertaken for and are performed in the interest of the project owner. No contractual obligation is assumed by the designer and/or the architect for the benefit of any other entity involved in this project.

Existing conditions: The designer and/or architect disclaims any responsibility for the existing building structure and conditions, existing construction elements, or any other documents, drawings, or other documents related to or intended to be used for any part or parts of the project, which do not bear the architect's seal.

This drawing has been prepared by the Architect, or under the Architect's direct supervision. The drawing is provided as an instrument of service by the Designer/Architect and is intended for the use of this project only. Pursuant to the Architectural License (Chapter 481, Florida Statutes) and the Florida Building Code, the Designer/Architect is required to seal and sign the original copy of this drawing. Any reproduction, use, or disclosure of information contained herein without the prior written consent of the Architect is strictly prohibited. © Copyright 2013 by Treblen, Inc.

PLUMBING LEGEND

	CO	CLEAN OUT
	P-TRAP	P-TRAP
	CU	DOMESTIC COLD WATER
	VTR	VENT THRU ROOF
	AC	AIR CHAMBER
	SV	STUDOR VENT
	SOV	SHUT OFF VALVE
	GV	GATE VALVE
	M4	METER 4 SHUT OFF VALVE
	COTG	CLEAN OUT TO GRADE
		SEWER AND WASTE WATER PIPING
		VENT PIPING
		DOMESTIC COLD WATER PIPING
		DOMESTIC HOT WATER PIPING
		OXYGEN PIPING
		NITROUS OXIDE PIPING
		VACUUM PIPING
		AIR COMPRESSOR PIPING
	CD	CONDENSATE DRAIN PIPE LINE (SEE MECHANICAL)
		PIPE RISER UP OR DROP
		CAPPED END OF PIPE OR AIR CHAMBER
		INDICATED EXISTING PIPING TO REMAIN AS IS. CONTRACTOR TO VERIFY LOCATION PRIOR TO CUTTING SLAB.

- ### GENERAL PLUMBING NOTES
- PLANS ARE DIAGRAMMATIC ONLY AND REPRESENT THE GENERAL SCOPE OF WORK. THE CONTRACTOR SHALL VISIT THE SITE PRIOR TO HIS BIDDING AND SHALL INVESTIGATE ALL CONDITIONS THAT AFFECT THEIR WORK. CONTRACTOR SHALL VERIFY LOCATIONS, SIZES, DIMENSIONS AND INVERT ELEVATIONS OF ALL ON-SITE SANITARY SEWERS, WATER MAINS AND NATURAL GAS MAINS, AND MAKE CERTAIN THAT ALL CONNECTIONS CAN BE MADE. THE CONTRACTOR SHALL MAKE THE ARCHITECT / ENGINEER AWARE OF ALL CONFLICTS.
 - DO NOT SCALE THE DUGS. CONSULT THE ARCHITECTURAL AND STRUCTURAL DUGS FOR DIMENSIONS. REFER TO ARCHITECTURAL PLANS FOR EXACT LOCATIONS AND MOUNTING HEIGHTS OF ALL PLUMBING FIXTURES AND DRAINS.
 - CONSULT THE ARCHITECTURAL DUGS FOR ALL GRADE AND FINISH FLOOR ELEVATIONS.
 - ALL GRAVITY LINES SIZE TO SLOPES 1/8" PER FOOT FOR 3" AND 4" PIPES. PIPES UNDER 3" TO BE 1/4" SLOPE.
 - ALL WORK SHALL COMPLY WITH THE FBC, CURRENT EDITION AND LOCAL AMENDMENTS. CLEANOUTS SHALL BE INSTALLED AS INDICATED IN DUGS AND AS REQ. PER F.L.B. CODES.
 - POTABLE / SUPPLY WATER PIPING SHALL BE SCHEDULE 40 PVC WHERE ALLOWED AS PER FBC 2010 (CURRENT).
 - ALL SANITARY WASTE VENT AND STORM DRAIN PIPING SHALL BE SCHEDULE 40 PVC BELOW AND ABOVE GRADE (TYPICAL THROUGH PROJECT).
 - CONFIRM SIZE, LOCATION AND ELEVATION OF ALL EXISTING UTILITIES PRIOR TO INSTALLING PIPE. ALL PIPING SHALL BE CLOSELY COORDINATED BETWEEN MECHANICAL, DUCTWORK, PIPING, LIGHTING FIXTURES, CONDUITS, ARCHITECTURAL AND STRUCTURAL ELEMENTS PRIOR TO INSTALLATION OF ANY PIPE.
 - INSTALL VACUUM BREAKERS ON ALL HOSE BIBS AND HYDRANTS.
 - ALL FLOOR DRAINS SHALL HAVE TRAP SEAL FITTINGS.
 - THE CONTRACTOR SHALL ARRANGE AND PAY FOR ALL PERMITS, INSPECTIONS AND REINSPECTIONS REQUIRED.
 - AS PER FBC CURRENT EDITION DETERMINATION OF HAZARDOUS MATERIALS: THE PROPERTY OWNER IS TO VERIFY THAT THERE ARE NO HAZARDOUS MATERIALS TO BE STORED IN THIS SPACE.
 - AS PER FBC CURRENT EDITION DRAINAGE SYSTEM MINIMUM SIZE: ANY PORTION OF THE SANITARY DRAINAGE SYSTEM INSTALLED UNDERGROUND SHALL NOT BE LESS THAN 2" DIAMETER.
 - AS PER FBC 1206.4 PIPING THROUGH MASONRY SLABS AND OR WALLS MUST BE PROPERLY SLEEVED.
 - AS PER FBC BUILDING 2310.9, 2310.9.1, 2310.9.3, WALL HUNG FIXTURES SHALL BE MOUNTED ON A MIN. 2x4 HORIZONTAL WOOD MEMBER SECURELY FASTENED TO NOT LESS THAN 2 STUDS.
 - CONTRACTOR TO CONFIRM LOCATION OF EXISTING SANITARY AND SUPPLY.

PLUMBING FIXTURE SCHEDULE

TAG	MANUF.	CATALOG NO.	FIXTURE	FINISH	REMARKS
LAV	T.B.D.	T.B.D.	BATH LAVATORY	T.B.D.	CLIENT TO COORDINATE WITH CONTRACT OF PRIVATE BATHROOM SINK AND FAUCET PRODUCT (VALVES AND LINES) 1/2" ALLOWANCE
HLAV	TOTO	LT301B	ADA BATH LAVATORY	MANUFACTURER WHITE	TOTO WALL MOUNT ADA COMPLIANT FAUCET WITH 4" WRIST BLADES, WITH TRUERBERO #101 4 1/2" LAV GUARD INSULATION
HUC	TOTO	M660414CEFG	WATER CLOSET	MANUFACTURER WHITE	ADA COMPLIANT ULTRAMAX II TOILET, 128 GPF WITH SANAGLOSS TOTO ONE PIECE
WH	TITAN TANKLESS	SCR2 N-120	WATER HEATER	MANUFACTURER WHITE	NEW TANKLESS WATER HEATER: TITAN N-120 TANKLESS WATER HEATER MAX KW AT 220 V = 118 VOLTS + 220 MAX AMPS AT 220 V = 54
DF	ELKAY	EZTL8C	DRINKING FOUNTAIN	STAINLESS STEEL	ADA COMPLIANT HI/LOW DRINKING FOUNTAIN
SK-1	BELMONT	16"*	SINK	SOLID	ADA COMPLIANT 18GA STAINLESS STEEL SINK - ADA COMPLIANT GOOSENECK FAUCET WITH WRIST BLADE HANDLE
SK-2	JUST MANUFACTURING	SL-2225	SINK	STAINLESS STEEL	ADA COMPLIANT 18GA STAINLESS STEEL SINK - ADA COMPLIANT GOOSENECK FAUCET WITH WRIST BLADE HANDLES
EWV	ELECTRIC WATER VALVE BY DENTAL EQUIPMENT PROVIDER				
VAC	VACUUM: BISON - 30 GALLON OTTER TANK STACKED (SUPPLIED BY DENTAL EQUIPMENT PROVIDER)				
COMP	AIR COMPRESSOR: OSFREY - 06F51B (SUPPLIED BY DENTAL EQUIPMENT PROVIDER)				

WATER PIPE INSULATION

ALL EXPOSED SANITARY AND HOT WATER SUPPLY LINES UNDER BREAKROOM SINK AND BATHROOM SINK SHALL BE INSULATED WITH PERMANENT FOAM WRAP

DENTAL JUNCTION BOX NOTES

THE PLUMBING CONTRACTOR SHALL BE RESPONSIBLE FOR CREATING A SOLID TEMPLATE FOR THE PURPOSE OF LOCATING AND SECURING ALL UTILITIES PRIOR TO CONCRETE CUTTING OF THE EXISTING SLAB. PLUMBING SUB CONTRACTOR SHALL CONSULT WITH ELECTRICAL SUB CONTRACTOR FOR ANY UTILITY COORDINATION NECESSARY. THE PLUMBING CONTRACTOR SHALL BE RESPONSIBLE FOR ALL PLUMBING CONNECTIONS TO SINKS, MODEL TRIMMER DRAIN SYSTEM, VACUUM PUMP DRAIN AND/OR VACUUM LINE, AND ANY OTHER ADDITIONAL FIXTURES LOCATED ON ARCHITECTURAL PLANS AND PLUMBING PLANS UNRELATED TO THE JUNCTION BOX LOCATIONS.

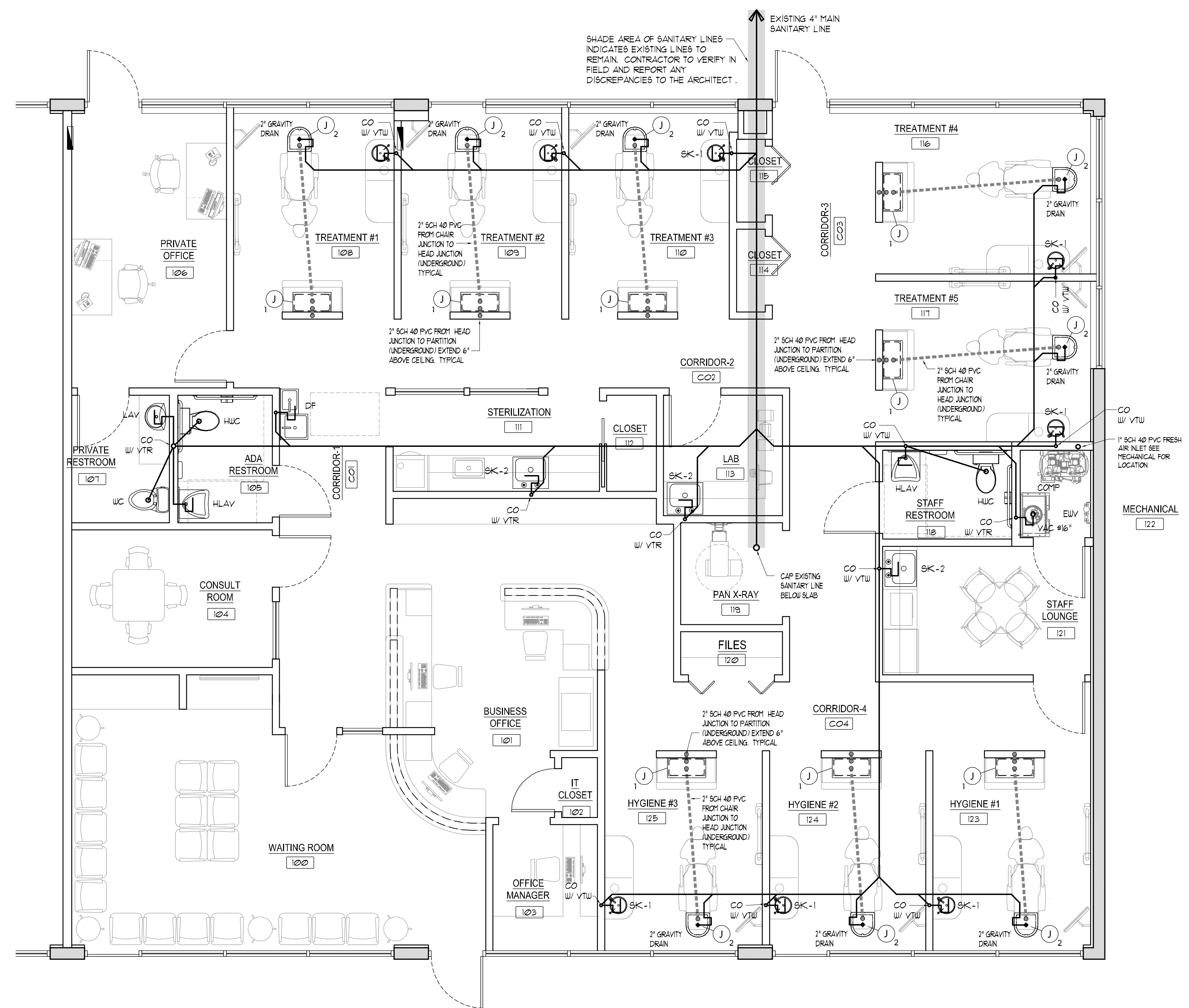
HAZARD AND NOISE: WATER PIPE INSTALLATIONS SHALL BE ADEQUATELY PROTECTED FROM WATER HAMMER BY USE OF AIR CHAMBERS. AIR CHAMBERS SHALL BE INSTALLED IN SUCH A MANNER THAT WILL PERMIT DRAINING WITHOUT DISCONNECTING FIXTURE SUPPLY. AIR CHAMBERS SHALL BE INSTALLED AND AIR CHAMBERS SHALL NOT BE LESS IN VOLUME THAN A 12" LENGTH OF PIPE ONE SIZE LARGER THAN THE PIPE IT SERVES. CONCLUSION: ALL FIXTURES TO HAVE AIR CHAMBERS OVERHEAD IN CEILING

SLAB CUTTING NOTE :

ALL SLAB CUTTING REQUIRED IS BY THE GENERAL CONTRACTOR AND SHALL BE INCLUDED IN THE BASE BID. FIELD VERIFICATION OF THE EXISTING SEWER INVERT IS REQUIRED. CONTRACTOR SHALL FIELD VERIFY THAT THERE IS ADEQUATE FALL FOR THE SEWER LINE SHOWN. NOTIFY THE ARCHITECT IN WRITING OF THE INVERT ELEVATION PRIOR TO FINALIZING THE BASE CONTRACT PRICE. IF AN ADJACENT 4" SEWER LINE CAN BE LOCATED NEARBY, IT IS ACCEPTABLE TO TAP IN WHERE POSSIBLE. PATCH AND REPAIR OF SLAB CUTTING SHALL BE BY THE GENERAL CONTRACTOR

VACUUM PIPE INSULATION

THE FIRST 10 FEET OF THE VACUUM EXHAUST LINE SHALL BE PVC SCH 80 INSULATED WITH PERMANENT FOAM WRAP



SHEET TITLE

PROJECT NAME

Interior Tenant Improvement for:
Garden Dental Spa - Dr. William Strauss, DMD
11380 Prosperity Farms Rd, suite 108-109
Palm Beach Gardens, Florida 33410

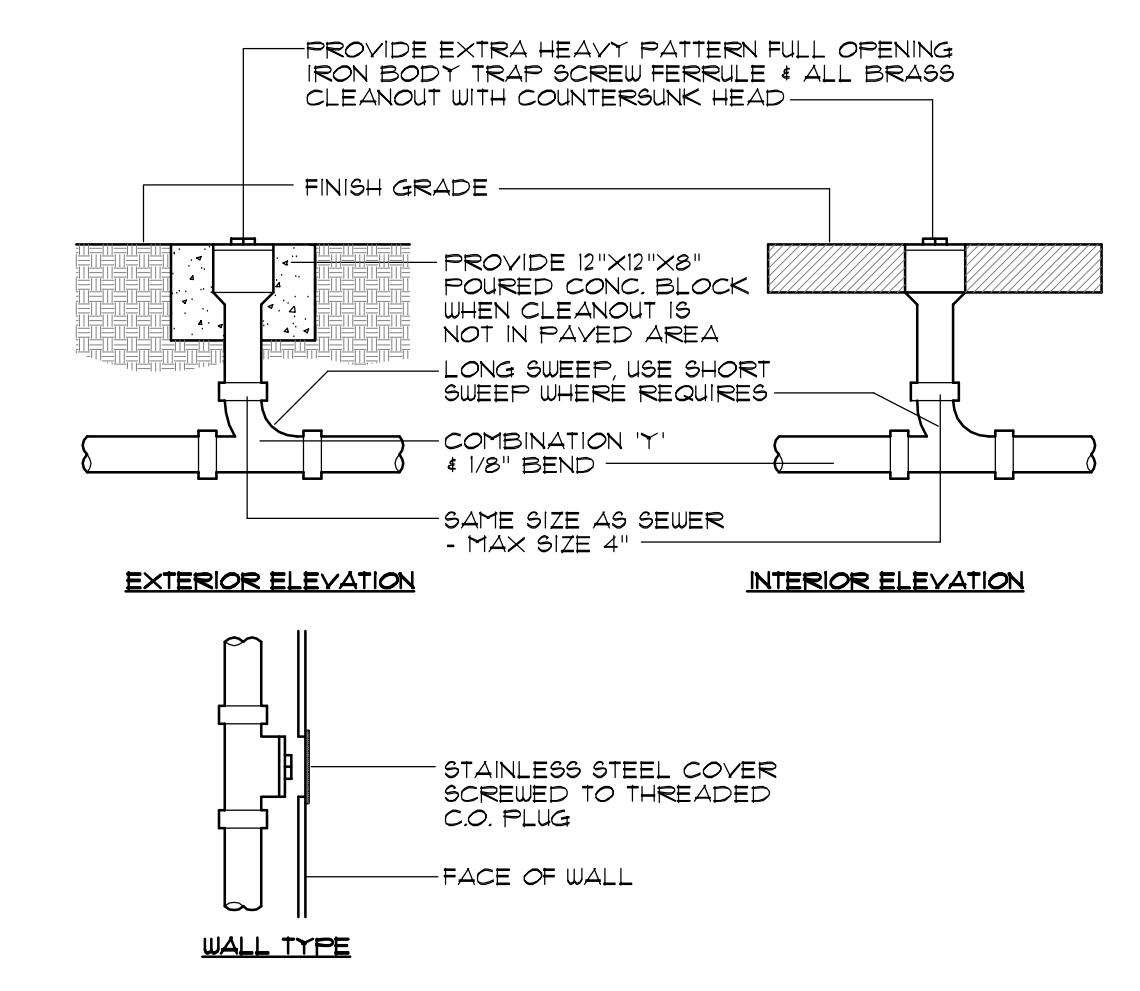
REVISIONS:

RELEASED FOR: PERMIT
DATE: 06/28/2013
PROJECT: 13137

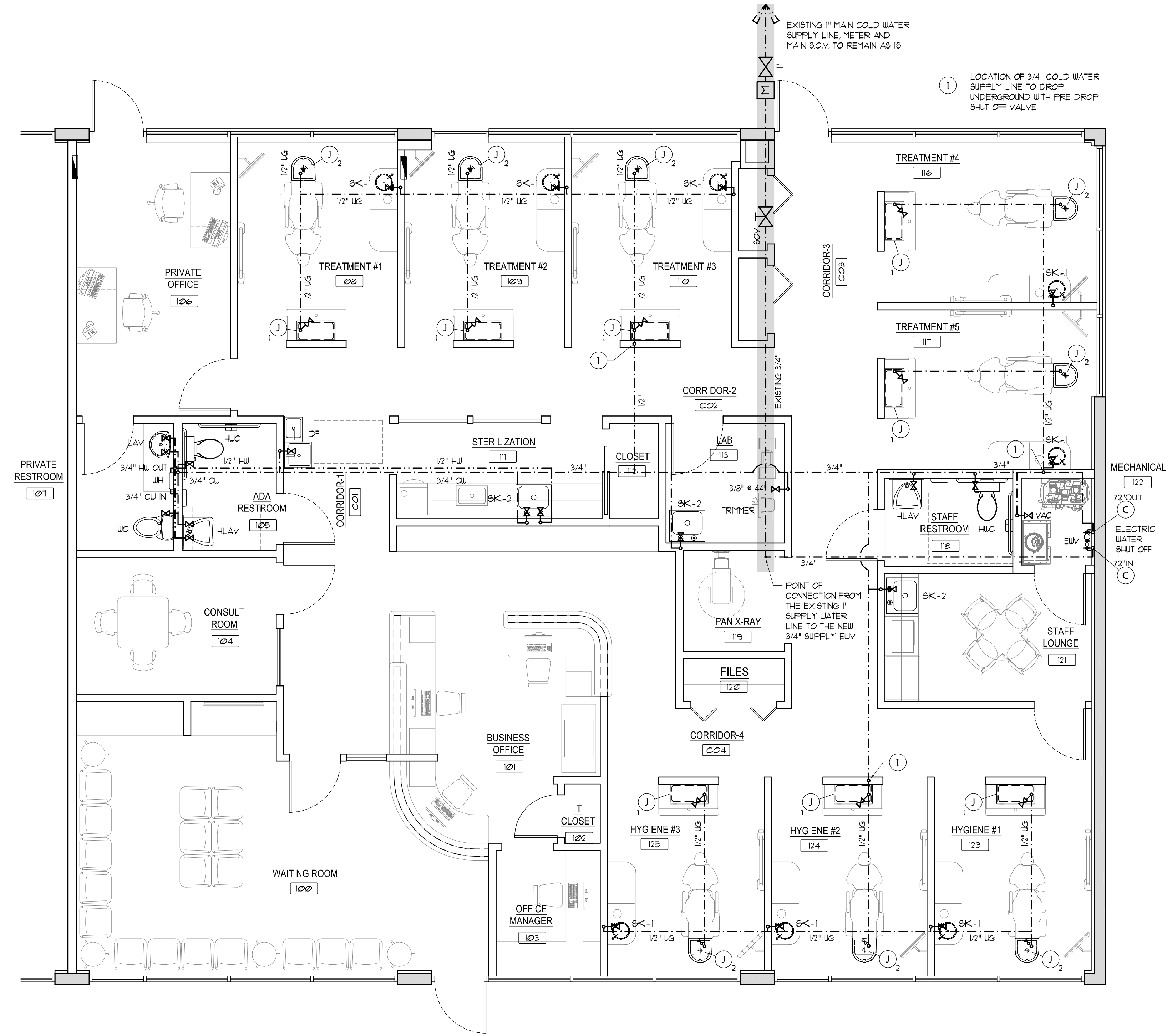
The professional services of the designer and/or Architect are undertaken for and are performed in the interest of the project owner. No contractual obligation is assumed by the designer and/or the Architect for the benefit of any other entity involved in this project.

Existing conditions: The designer and/or Architect declines any responsibility for the existing building structure and conditions, existing construction elements, or any other documents, drawings, or other documents related to or intended to be used for any part or parts of the project, which do not bear the Architect's seal.

This drawing has been prepared by the Architect, or under the Architect's direct supervision. This drawing is provided as an instrument of service by the Designer/Architect and is intended for the use on this project only. Pursuant to the Architectural License Copyright Protection Act of 1982, all Drawings, Specifications, Notes, and Details, including the cover all form, arrangement and composition of the notes and elements appearing herein, constitute the original copyrighted work of the Architect. Not for construction unless all applicable permits are obtained. Any reproduction, use, or disclosure of information contained herein without the prior written consent of the Architect is strictly prohibited. © Copyright 2013 by TrebArc, Inc.



CLEANOUT DETAIL
SCALE: N.T.S. 2
P-2



SHEET TITLE
Plumbing Supply Plan
PROJECT NAME
**Interior Tenant Improvement for:
Garden Dental Spa - Dr. William Strauss, DMD
11380 Prosperity Farms Rd, suite 108-109
Palm Beach Gardens, Florida 33410**

REVISIONS:
RELEASED FOR: PERMIT
DATE: 06/28/2013
PROJECT: 13137

The professional services of the designer and/or Architect are undertaken for and are performed in the interest of the project owner. No contractual obligation is assumed by the designer and/or Architect for the benefit of any other entity involved in the project.

Existing conditions, the designer and/or Architect disclaims any responsibility for the existing building structure and conditions, existing construction elements, or any other documents, drawings, or other documents related to or intended to be used for any part or parts of the project, which do not bear the Architect's seal.

This drawing has been prepared by the Architect or under the Architect's direct supervision. The drawing is provided as an instrument of service by the Designer/Architect and is intended for the use on this project only. Pursuant to the Architectural License Copyright Protection Act of 1980, all Drawings, Specifications, Notes, and Details, including the overall form, arrangement and composition of the notes and elements appearing herein, constitute the original copyrighted work of the Architect. Not for construction unless all applicable permits are obtained. Any reproduction, use, or disclosure of information contained herein without the prior written consent of the Architect is strictly prohibited. © Copyright 2013 by Trebbien, Inc.

Dental Plumbing Details

SHEET TITLE

PROJECT NAME:

Interior Tenant Improvement for:
Garden Dental Spa - Dr. William Strauss, DMD
11380 Prosperity Farms Rd, suite 108-109
Palm Beach Gardens, Florida 33410

REVISIONS:

RELEASED FOR: PERMIT
DATE: 06/28/2013

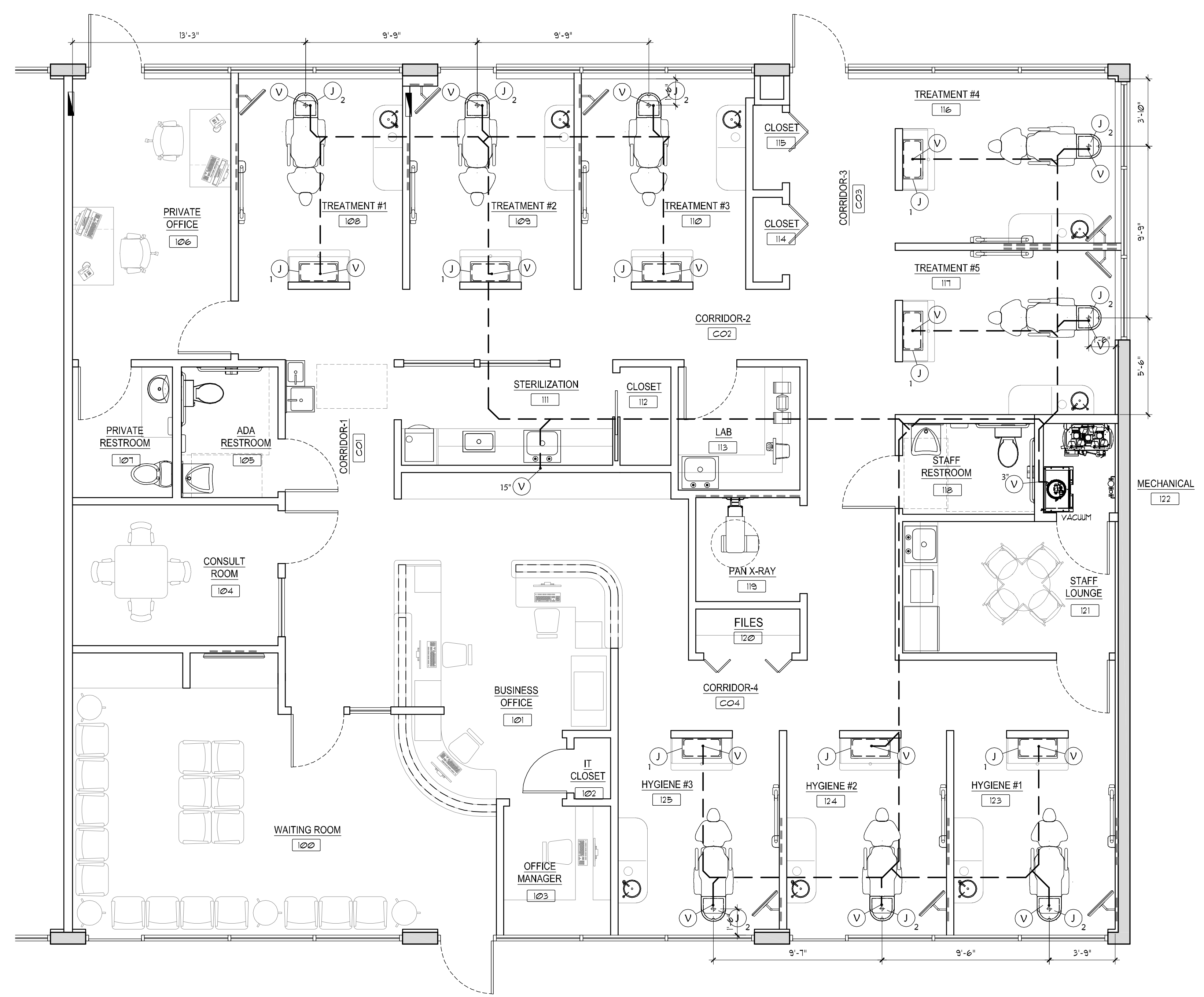
PROJECT: 13137

<p>COLD WATER SUPPLY w/ 3/8" ANGLE VALVE STOP WITH ESCUTCHEON</p> <p>MODEL TRIMMER EXACT LOCATION TO BE DETERMINED BY OWNER</p> <p>PVC ADAPTER SUPPLIED WITH TRAP</p> <p>FLEXIBLE HOSE SUPPLIED WITH TRAP</p> <p>DISPOSABLE PLASTER TRAP</p> <p>FRONT SIDE</p> <p>NOTE: CAPS SUPPLIED WITH TRAP ARE FOR TRAP DISPOSAL, DO NOT DISCARD</p>	<p>THIS WORK TO BE DONE BY THE PLUMBING CONTRACTOR.</p> <p>NOTE: ACTUAL UNIT MAY VARY FROM DESIGN SHOWN, SEE MANUFACTURER'S INSTALLATION GUIDE.</p> <p>SHUTOFF VALVE BEFORE WATER CONTROL VALVE</p> <p>WATER CONTROL VALVE AND FILTER ASSEMBLY SUPPLIED BY BENCO DENTAL</p> <p>COPPER LINE TO ALL DENTAL EQUIPMENT REQUIRING COLD WATER SUPPLY</p> <p>MINIMUM OF 6" CLEARANCE REQUIRED BELOW FILTER FOR CHANGING OF FILTER CARTRIDGES.</p>	<p>3/8" COPPER LINE TO ALL LOCATIONS UNITS REQUIRING COMPRESSED AIR</p> <p>AIR COMPRESSOR: MIDMARK PT2 33"x40"x21"D w/o SOUND COVER 39"x40"x20"D with SOUND COVER SHIP WEIGHT: 500 LBS.</p> <p>SUPPLIED BY BENCO DENTAL INSTALLED BY CONTRACTOR</p>
<p>DETAIL - MODEL TRIMMER / PLASTER TRAP</p> <p>REF.: SOURCE: N.T.S.</p>	<p>DETAIL - WATER CONTROL VALVE</p> <p>REF.: SOURCE: N.T.S.</p>	<p>DETAIL - AIR COMPRESSOR</p> <p>REF.: SOURCE: N.T.S.</p>
<p>3/8" COMPRESSED AIR LINE</p> <p>3/8" MALE PIPE THREADS 1" FROM WALL, 3/8" ANGLE STOP VALVE, CHROME COVER</p> <p>VERIFY W/ DOCTOR</p> <p>NOTE: VERIFY QUANTITY & LOCATIONS WITH OWNER & DENTAL REP. • TIME OF LAYOUT.</p>	<p>3/8" COMPRESSED AIR LINE</p> <p>3/8" MALE PIPE THREADS 1" FROM WALL, 3/8" ANGLE STOP VALVE, CHROME COVER</p> <p>VERIFY W/ DOCTOR</p> <p>NOTE: VERIFY QUANTITY & LOCATIONS WITH OWNER & DENTAL REP. • TIME OF LAYOUT.</p>	<p>INSTALL 2" SCH 80 INSULATED PIPING FOR FIRST 15' THEN SWITCH TO 2" SCH 40 PIPING "DRY" EXHAUST VENT TO OUTSIDE.</p> <p>3/4" COLD WATER LINE TERMINATED WITH BALL VALVE AND GARDEN HOSE CONNECTION</p> <p>INSTALL 1/2" PVC SCH 40 VACUUM HEADER FROM TREATMENT ROOMS. (SEE DETAILS 03 & 04 THIS SHEET)</p> <p>VACUUM UNIT: MIDMARK G1 55"x42"x21"D SHIP WEIGHT: BASE = 375 LBS. TANK = 48 LBS.</p> <p>SUPPLIED BY BENCO DENTAL INSTALLED BY CONTRACTOR</p> <p>FOURER UNIT</p> <p>COLLECTION TANK</p> <p>2" FLOOR DRAIN (OPTIONAL DRAIN CONNECTIONS SHOWN ABOVE)</p> <p>DRAIN OPTIONS</p>
<p>DETAIL - AIR OUTLET</p> <p>REF.: SOURCE: N.T.S.</p>	<p>DETAIL - AIR OUTLET</p> <p>REF.: SOURCE: N.T.S.</p>	<p>DETAIL - VACUUM</p> <p>REF.: SOURCE: N.T.S.</p>
<p>15v 20a DUPLEX RECEPTACLE MOUNTED FLUSH WITH FLOOR. (RECEPTACLES INSTALLED WITHIN 6' OF A WATER SOURCE MUST HAVE GFCI PROTECTION)</p> <p>DENTAL SANITARY LINE - DRAIN - 1/2" P-TRAP IN LINE TO CONFORM WITH LOCAL BUILDING CODES. CAP 2" ABOVE SLAB FOR FUTURE CONNECTION</p> <p>DENTAL CHASE - 2" SCH 40 PVC CHASE TO TERMINATE IN HEAD JUNCTION BOX FOR DATA AND LOW VOLTAGE FUTURE CONNECTIONS</p> <p>DENTAL COLD WATER - 1/2" COPPER LINE WITH 1/2" ANGLE STOP AND 3/8" COMPRESSION FITTING. TERMINATE STOP NO HIGHER THAN 4" AFF.</p> <p>NOTE: SEE MANUFACTURER'S TEMPLATE FOR EXACT ROUGH-IN LOCATIONS.</p> <p>VACUUM LINE - REDUCE RISER TO 1/2" COPPER PIPE. TERMINATE STUB 2" AFF. (SEE DETAILS 03 & 04 THIS SHEET)</p> <p>AIR LINE - 1/2" COPPER LINE WITH 1/2" ANGLE STOP AND 3/8" COMPRESSION FITTING. TERMINATE STOP NO HIGHER THAN 4" AFF.</p>	<p>15v 20a DUPLEX RECEPTACLE MOUNTED FLUSH WITH FLOOR. (RECEPTACLES INSTALLED WITHIN 6' OF A WATER SOURCE MUST HAVE GFCI PROTECTION)</p> <p>DENTAL SANITARY LINE - DRAIN - 1/2" P-TRAP IN LINE TO CONFORM WITH LOCAL BUILDING CODES. CAP 2" ABOVE SLAB FOR FUTURE CONNECTION</p> <p>DENTAL CHASE - 2" SCH 40 PVC CHASE TO TERMINATE IN HEAD JUNCTION BOX FOR DATA AND LOW VOLTAGE FUTURE CONNECTIONS</p> <p>DENTAL COLD WATER - 1/2" COPPER LINE WITH 1/2" ANGLE STOP AND 3/8" COMPRESSION FITTING. TERMINATE STOP NO HIGHER THAN 4" AFF.</p> <p>NOTE: SEE MANUFACTURER'S TEMPLATE FOR EXACT ROUGH-IN LOCATIONS.</p> <p>VACUUM LINE - REDUCE RISER TO 1/2" COPPER PIPE. TERMINATE STUB 2" AFF. (SEE DETAILS 03 & 04 THIS SHEET)</p> <p>AIR LINE - 1/2" COPPER LINE WITH 1/2" ANGLE STOP AND 3/8" COMPRESSION FITTING. TERMINATE STOP NO HIGHER THAN 4" AFF.</p>	<p>USE ONLY 45° OR LONG RADIUS, DUV FITTINGS WHEREVER POSSIBLE. NO HEAD-ON INTERSECTIONS (TEES OR CROSSERS) OR SAGS ANYWHERE. ALL LINES FALL WITH A DROP OF 1/8" IN EVERY TEN FEET OF LENGTH TOWARDS THE CENTRAL VACUUM UNIT.</p> <p>USE ONLY DUVV FITTINGS ON THE MAIN TO ACCEPT SMALLER PIPE SIZES.</p>
<p>DETAIL - UTILITY CENTER</p> <p>REF.: SOURCE: N.T.S.</p>	<p>DETAIL - UTILITY CENTER</p> <p>REF.: SOURCE: N.T.S.</p>	<p>DETAIL - VACUUM PIPING</p> <p>REF.: SOURCE: N.T.S.</p>
<p>15v 20a DUPLEX RECEPTACLE MOUNTED FLUSH WITH FLOOR. (RECEPTACLES INSTALLED WITHIN 6' OF A WATER SOURCE MUST HAVE GFCI PROTECTION)</p> <p>DENTAL CHASE - 2" SCH 40 PVC CHASE TO TERMINATE IN HEAD JUNCTION BOX FOR DATA AND LOW VOLTAGE FUTURE CONNECTIONS</p> <p>VACUUM LINE: 1/2" ID STUB</p> <p>COMPRESSED AIR LINE: 1/2" ID STUB w/ 3/8" OD COMPRESSION VALVE.</p> <p>COLD WATER LINE: 1/2" ID STUB w/ 3/8" OD COMPRESSION VALVE.</p> <p>NOTE: SEE MANUFACTURER'S TEMPLATE FOR EXACT ROUGH-IN LOCATIONS.</p>	<p>15v 20a DUPLEX RECEPTACLE MOUNTED FLUSH WITH FLOOR. (RECEPTACLES INSTALLED WITHIN 6' OF A WATER SOURCE MUST HAVE GFCI PROTECTION)</p> <p>DENTAL CHASE - 2" SCH 40 PVC CHASE TO TERMINATE IN HEAD JUNCTION BOX FOR DATA AND LOW VOLTAGE FUTURE CONNECTIONS</p> <p>VACUUM LINE: 1/2" ID STUB</p> <p>COMPRESSED AIR LINE: 1/2" ID STUB w/ 3/8" OD COMPRESSION VALVE.</p> <p>COLD WATER LINE: 1/2" ID STUB w/ 3/8" OD COMPRESSION VALVE.</p> <p>NOTE: SEE MANUFACTURER'S TEMPLATE FOR EXACT ROUGH-IN LOCATIONS.</p>	<p>INSTALL 1/2" STRAIGHT COPPER STUB 2" ABOVE FINISHED FLOOR</p> <p>TOP OF DECK</p> <p>2" PVC RISER</p> <p>2" PVC SCH 40 HEADER WITH A 1/8" PER 100' SLOPE DOWN AND BACK TO THE VACUUM PRODUCER</p> <p>NOTE: USE LONG SWEEP FITTINGS AND UNYES</p>
<p>DETAIL - HEAD CABINET PIPING</p> <p>REF.: SOURCE: N.T.S.</p>	<p>DETAIL - HEAD CABINET PIPING</p> <p>REF.: SOURCE: N.T.S.</p>	<p>DETAIL - VACUUM PIPING</p> <p>REF.: SOURCE: N.T.S.</p>

The professional services of the designer and/or Architect are undertaken for and are performed in the interest of the project owner. No contractual obligation is assumed by the designer and/or the Architect for the benefit of any other entity involved in this project.

Existing conditions: The designer and/or Architect declines any responsibility for the existing building structure and conditions, existing construction elements, or any other documents, drawings, or other documents related to or intended to be used for any part or parts of the project, which do not bear the Architect's seal.

This drawing has been prepared by the Architect, or under the Architect's direct supervision. This drawing is provided as an instrument of services by the Designer/Architect and is intended for the use on this project only. Pursuant to the Architectural License Copyright Protection Act of 1982, all Drawings, Specifications, Ideas, and Designs, including the cover all form, arrangement and composition of the letters and figures appearing herein, constitute the original copyrighted work of the Architect. Not for construction unless all applicable permits are obtained. Any reproduction, use, or disclosure of information contained herein without the prior written consent of the Architect is strictly prohibited. © Copyright 2013 by Treb Arc, Inc.



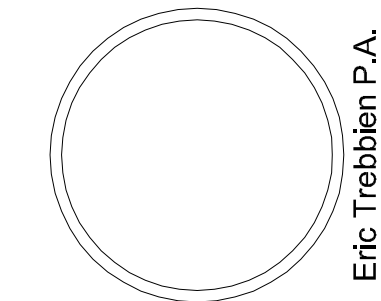
VACUUM LINE PLAN
SCALE: 1/4" = 1' - 0"

SHEET TITLE
Air Vacuum Line Plan

PROJECT NAME
**Interior Tenant Improvement for:
Garden Dental Spa - Dr. William Strauss, DMD
11380 Prosperity Farms Rd, suite 108-109
Palm Beach Gardens, Florida 33410**

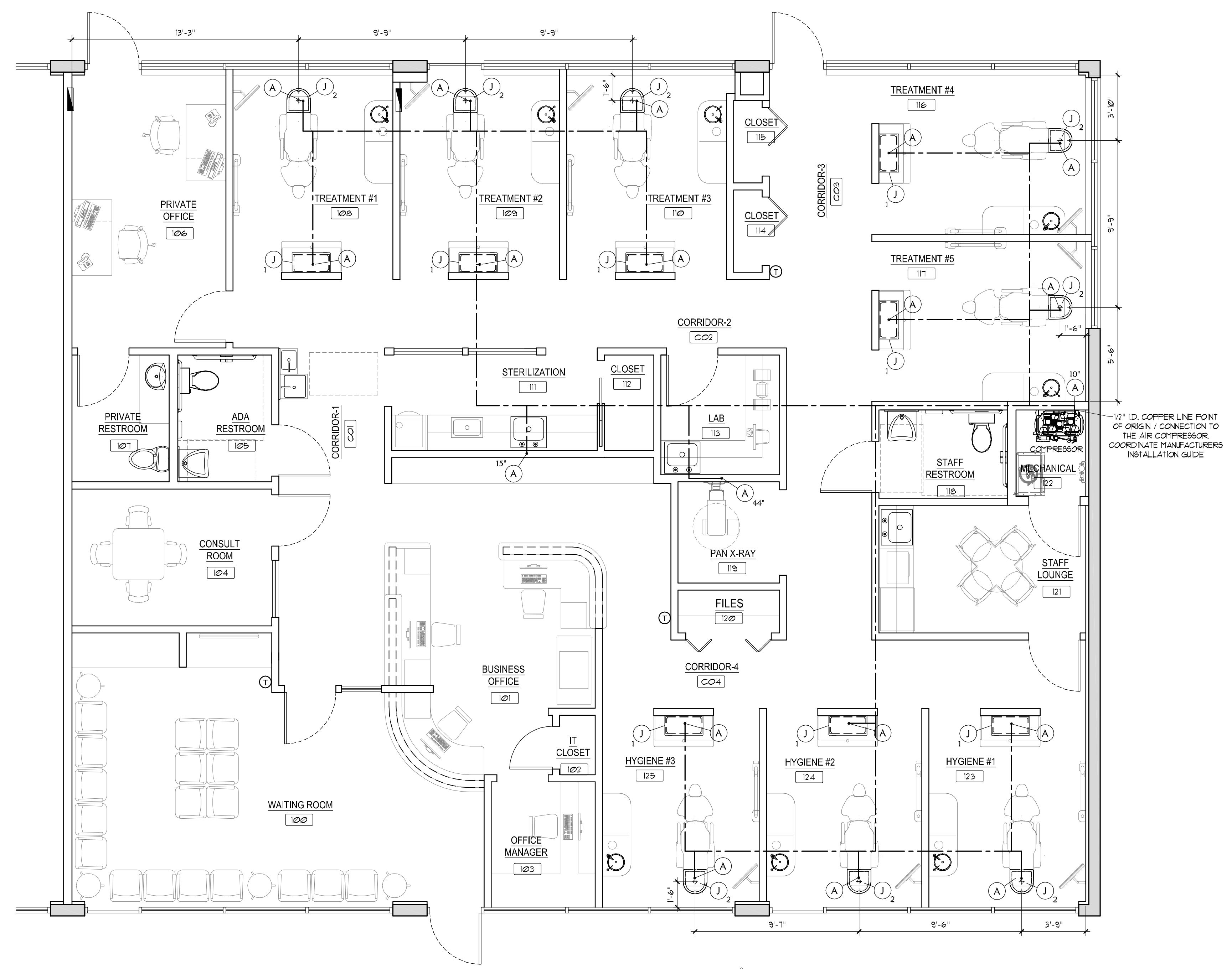
REVISIONS:

RELEASED FOR: PERMIT
DATE: 06/28/2013
PROJECT: 13137



TrebArc, Inc
 Architecture, Planning, Design
 740 NW 66th Avenue
 Plantation, FL 33317
 954.240.2614

The professional services of the designer and/or Architect are undertaken for and are performed in the interest of the project owner. No contractual obligation is assumed by the designer and / or the Architect for the benefit of any other entity involved in this project.
 Existing conditions: The designer and / or Architect disclaims any responsibility for the existing building structure and conditions, existing construction elements, or any other documents, drawings, or other documents related to or intended to be used for any part or parts of the project, which do not bear the Architect's seal.
 This drawing has been prepared by the Architect, or under the Architect's direct supervision. This drawing is provided as an instrument of service by the Designer / Architect and is intended for the use on this project only. Pursuant to the Architectural License Copyright Protection Act of 1980, all Drawings, Specifications, Notes, and Details, including the cover all form, arrangement and composition of the notes and elements appearing herein, constitute the original copyrighted work of the Architect. Not for construction unless all applicable permits are obtained. Any reproduction, use, or disclosure of information contained herein without the prior written consent of the Architect is strictly prohibited. © Copyright 2013 by TrebArc, Inc.



COMPRESSED AIR LINE PLAN 1
 SCALE: 1/4" = 1' - 0"
 F-4

SHEET TITLE
Compressed Air Line Plan
 PROJECT NAME
**Interior Tenant Improvement for:
 Garden Dental Spa - Dr. William Strauss, DMD
 11380 Prosperity Farms Rd, suite 108-109
 Palm Beach Gardens, Florida 33410**

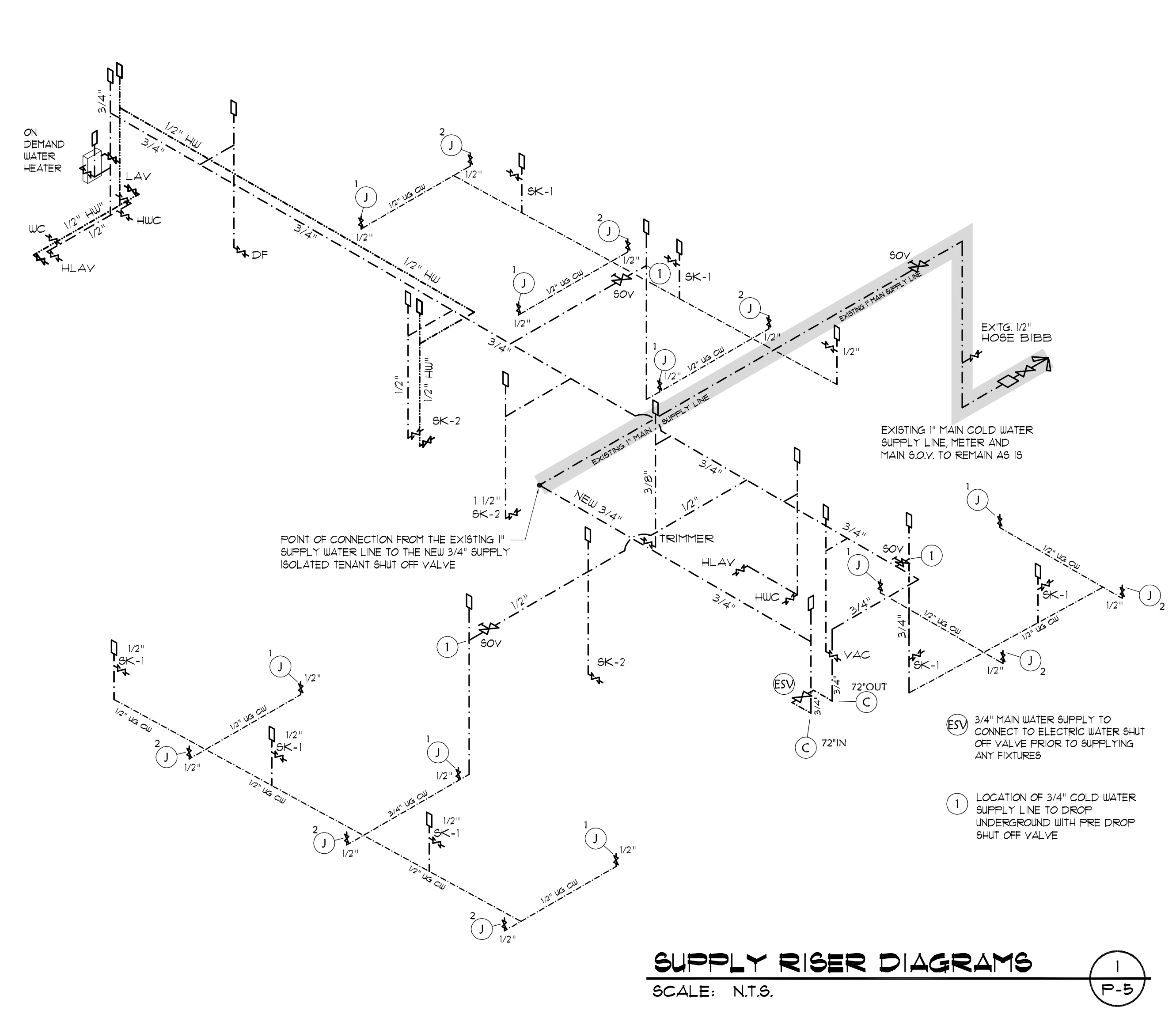
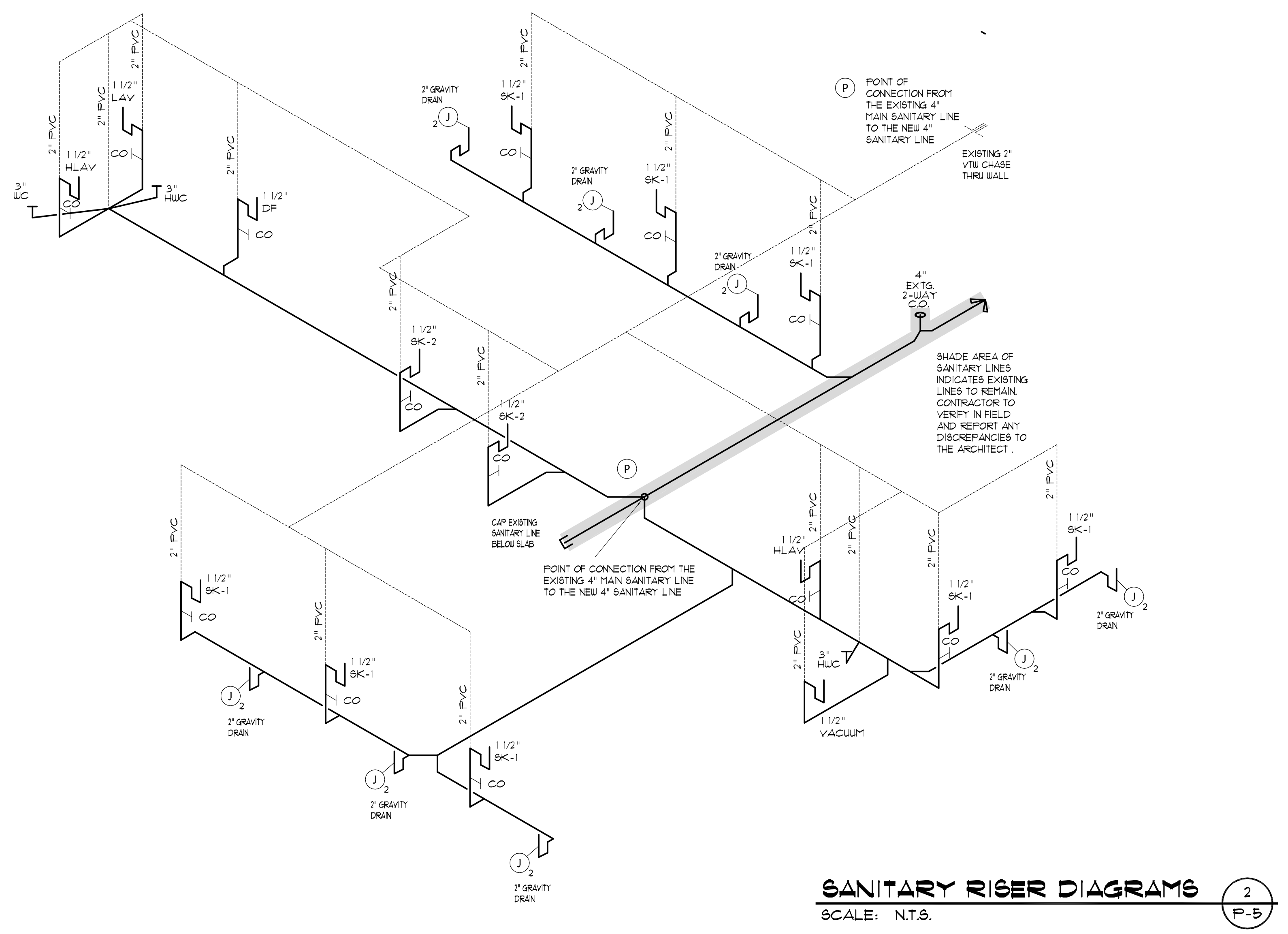
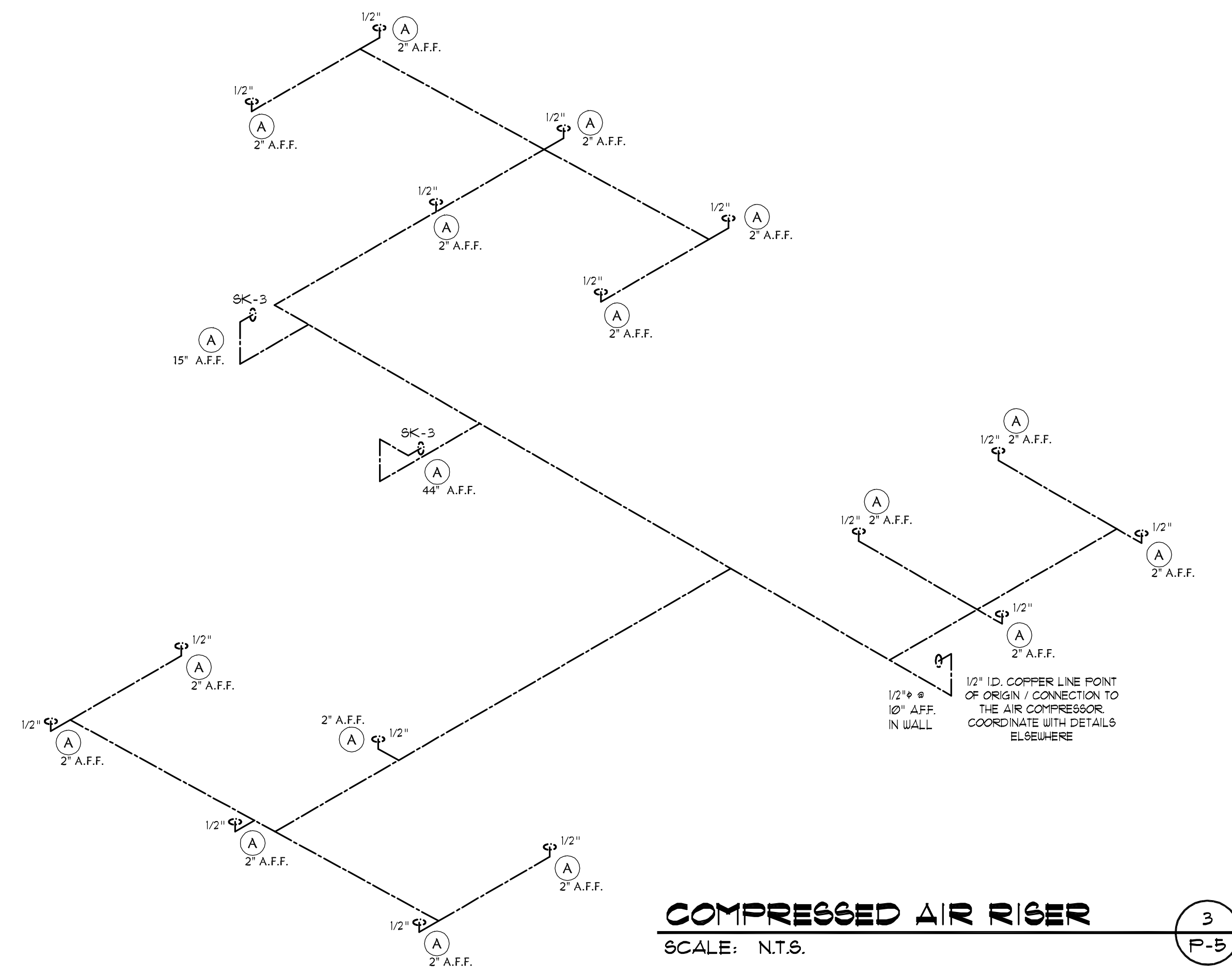
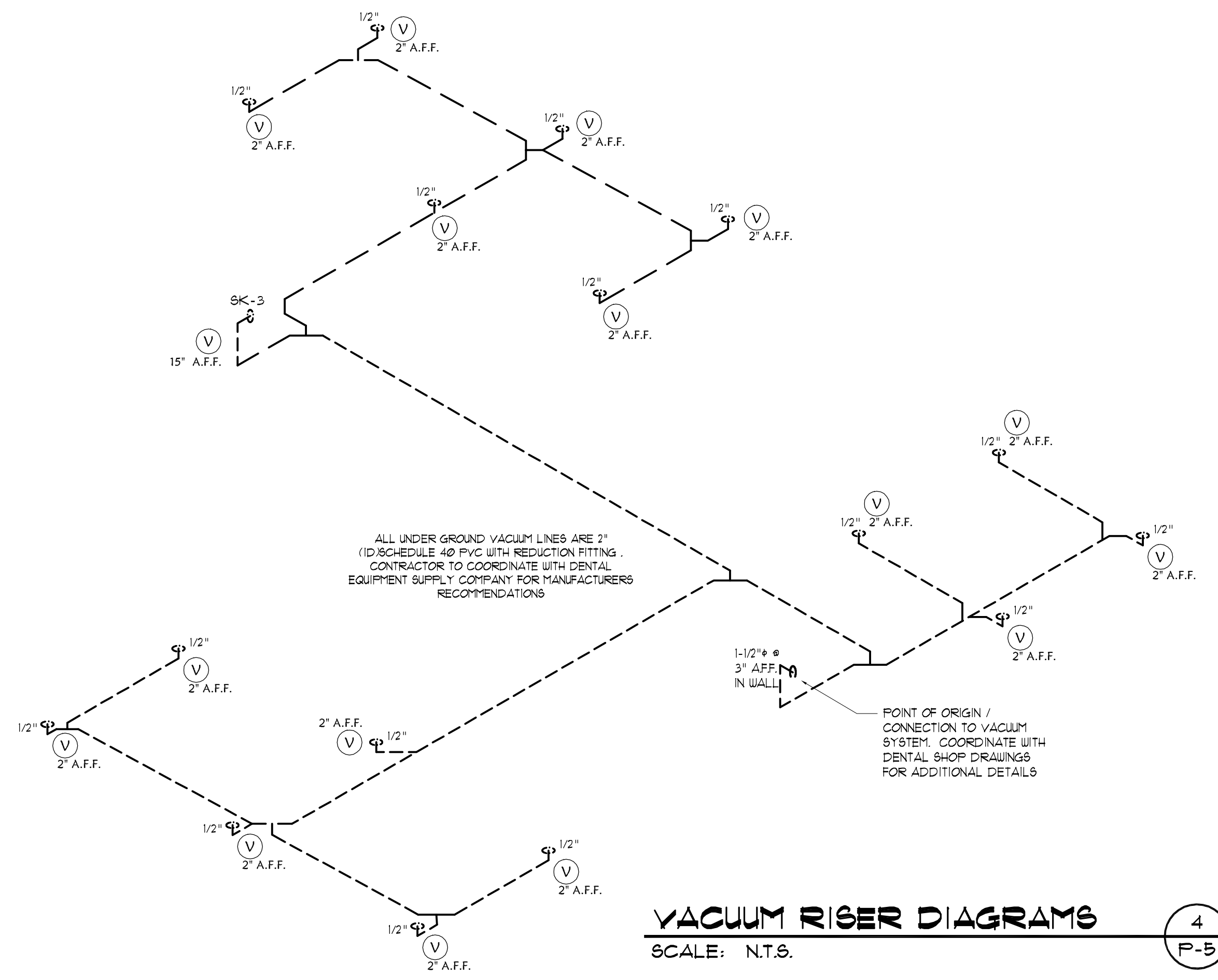
REVISIONS:
 RELEASED FOR: PERMIT
 DATE: 06/28/2013
 PROJECT: 13137

P-4

The professional services of the designer and/or architect are undertaken for and are performed in the interest of the project owner. No contractual obligation is assumed by the designer and/or architect for the benefit of any other party involved in this project.

Existing conditions: The designer and/or architect disclaims any responsibility for the existing building structure, site conditions, existing construction elements, or any other documents, drawings, or other records related to or intended to be used for any part or parts of the project, which do not bear the architect's seal.

This drawing has been prepared by the Architect, or under the Architect's direct supervision. This drawing is provided as an instrument of service by the Designer/Architect and is intended for the use of this project only. Pursuant to the Architectural License Copyright Protection Act of 1980, all Drawings, Specifications, Notes, and Details, including the cover all form, arrangement and composition of the notes and elements appearing herein, constitute the original copyright work of the Architect. Not for construction unless all applicable permits are obtained. Any reproduction, use, or disclosure of information contained herein without the prior written consent of the Architect is strictly prohibited. © Copyright 2013 by TrebArc, Inc.



SHEET TITLE

PROJECT NAME

Interior Tenant Improvement for:
Garden Dental Spa - Dr. William Strauss, DMD
11380 Prosperity Farms Rd, suite 108-109
Palm Beach Gardens, Florida 33410

REVISIONS:

RELEASED FOR: PERMIT
DATE: 08/28/2013

PROJECT: 13137