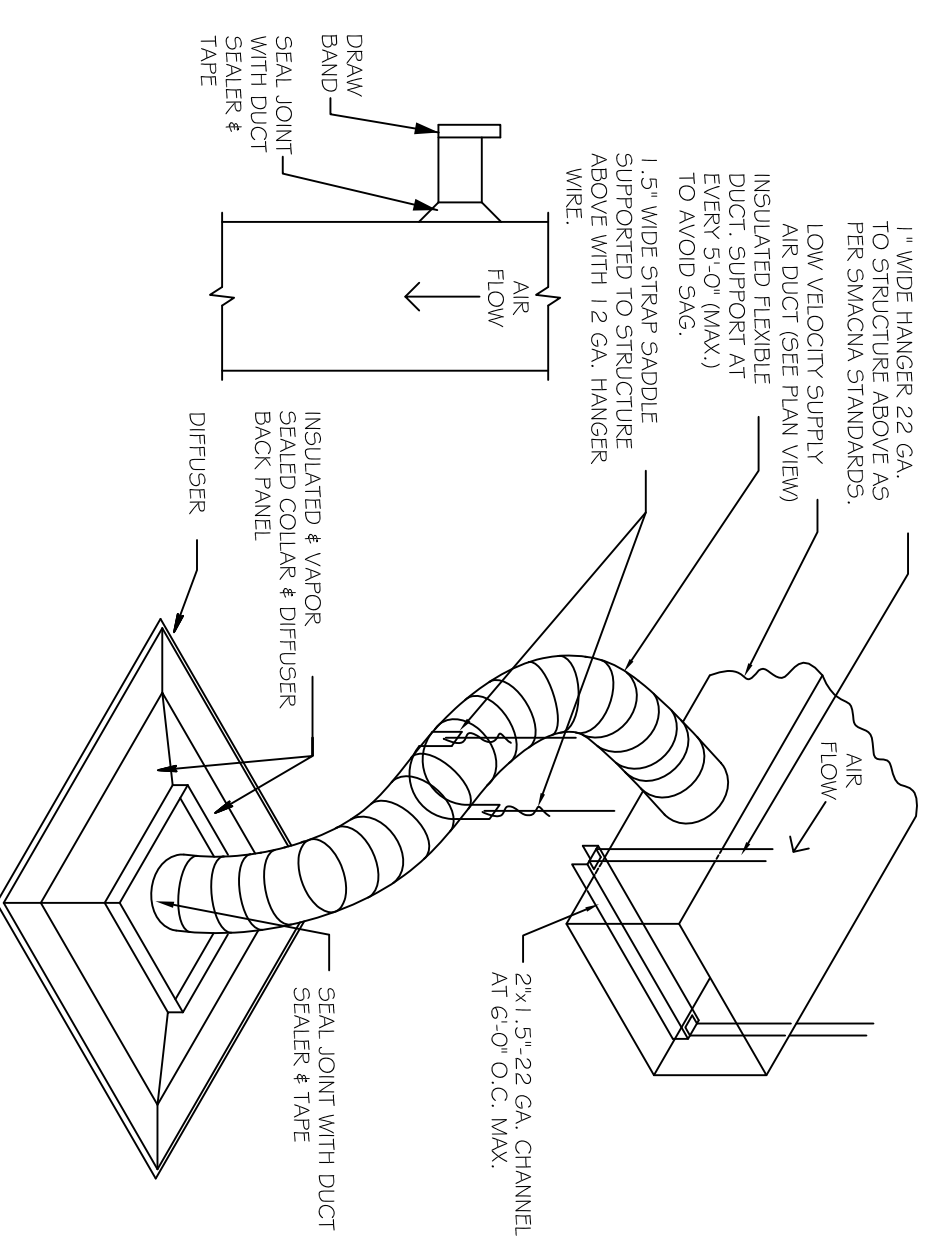


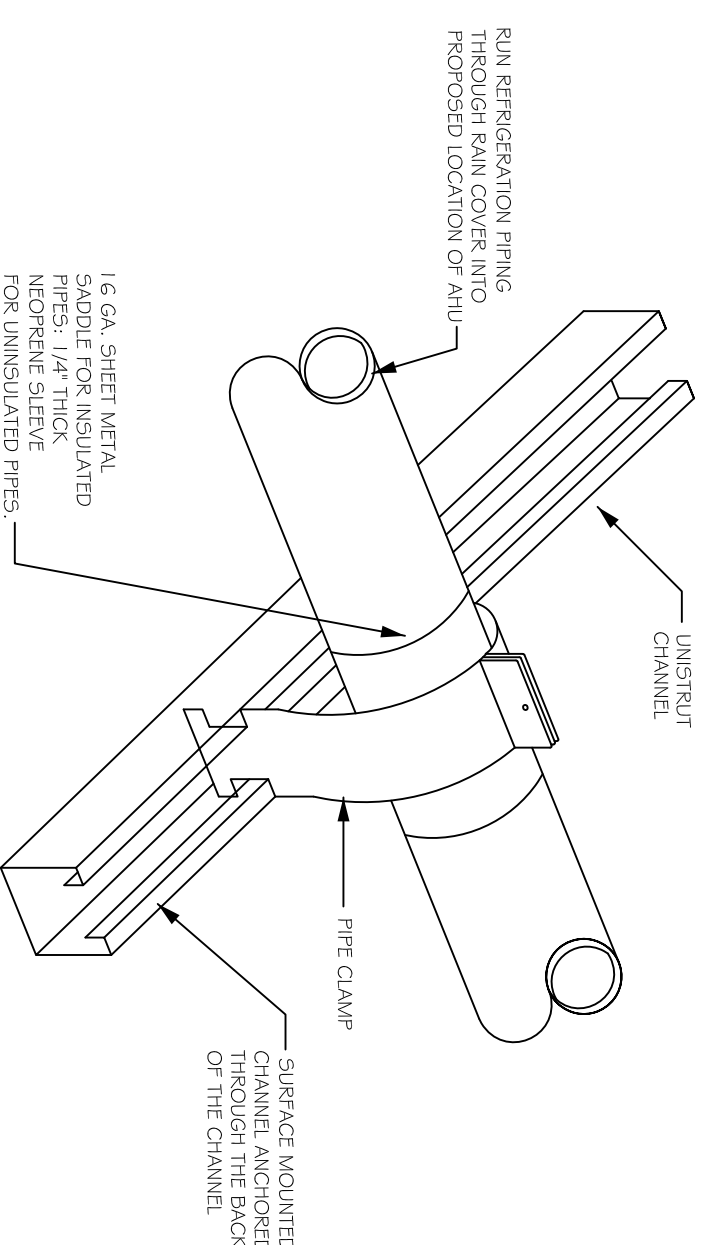
HVAC GENERAL NOTES

- GENERAL
 - ALL WORK SHALL BE DONE IN ACCORDANCE WITH THE FLORIDA BUILDING CODE AND WITH ALL APPLICABLE REGULATIONS.
 - DRAWINGS: REFER TO ALL DRAWINGS FOR COORDINATION OF THE HVAC WORK.
 - ARRANGE AND PAY FOR ALL PERMITS, LICENSES, INSPECTIONS AND TESTS.
 - OBTAIN THE REQUIRED CERTIFICATES AND PRESENT TO OWNER.
 - GUARANTEE: THE COMPLETED INSTALLATION SHALL BE FULLY GUARANTEED AGAINST DEFECTIVE WORKMANSHIP FOR A PERIOD OF ONE YEAR FOR MATERIAL AND LABOR. ALL COMPRESSORS SHALL BE GUARANTEED FOR 5 YEARS MINIMUM.
- SHOP DRAWINGS - CONTRACTORS SHALL SUBMIT FOR APPROVAL, WITHIN 30 DAYS BEFORE STARTING CONTRACT WORK. ALL SHOP DRAWINGS SHALL BE PREPARED BY THE CONTRACTOR AND SHALL BE APPROVED BY THE ARCHITECT. NO WORK SHALL PROCEED WITHOUT APPROVAL OF THESE SUBMITTALS.
- DESIGN PARAMETERS:
 - INDOOR DESIGN TEMPERATURE (SUMMER): 78°F DB
 - INDOOR DESIGN TEMPERATURE (WINTER): 70°F DB
- ALL THERMOSTATS SHALL HAVE HEATING MODE MAXIMUM SETTING OF 75 F, AND COOLING MODE MINIMUM SETTING OF 70 F. THE THERMOSTAT SHALL BE ARRANGED TO PREVENT THE SIMULTANEOUS OPERATION OF HEATING AND COOLING.
- ELECTRICAL CONTROLS AND POWER WIRING - UNDER ELECTRICAL CONTRACT.
- EQUIPMENT SPECIFIED BY MANUFACTURER'S NUMBER SHALL INCLUDE ALL ACCESSORIES, CONTROLS, ETC., LISTED IN THE CATALOG AS STANDARD WITH THE EQUIPMENT. OPTIONAL OR ADDITIONAL ACCESSORIES SHALL BE FURNISHED AS SPECIFIED.
- MATERIALS:
 - REFRIGERANT PIPING: SHALL BE TYPE 1, SOFT DRAWN, COPPER TUBING, DEHYDRATED FOR REFRIGERANT USE, SIZED AS SHOWN ON DRAWINGS OR AS PER AIR CONDITIONING EQUIPMENT MANUFACTURER'S RECOMMENDATIONS.
 - INSULATION: REFRIGERANT SUCTION PIPING SHALL BE INSULATED WITH 1/2" THICK FOAMED PLASTIC INSULATION, FIRE RETARDANT TYPE. INSULATION SHALL BE INSTALLED IN PIPING BEFORE ASSEMBLY. NO SPLIT INSULATION WILL BE ACCEPTABLE. SEAL JOINTS WITH MANUFACTURER'S APPROVED ADHESIVE AND GELT TAPE.
 - DUCTWORK:
 - ALL SUPPLY AIR DUCTWORK SHALL BE 1 1/2" THICK FIBERGLASS DUCTBOARD, FABRICATED AND INSTALLED AS PER LATEST EDITION OF SMACNA "FIBROUS GLASS DUCT MANUAL", R-6.0 MIN.
 - ALL TOILET EXHAUST DUCTWORK SHALL BE GALVANIZED SHEET METAL DUCT NOT LIGHTER THAN 24 GAGE.
 - ALL DUCT DIMENSIONS ARE CLEAR INSIDE DIMENSIONS.
 - FLEXIBLE INSULATED DUCTWORK WITH 1 1/2" THICK FIBERGLASS INSULATION WITH PER VAPOR BARRIER, R-6.0 MIN.
 - CONTROLS: AIR CONDITIONING UNITS SHALL BE STARTED AND STOPPED THRU INDIVIDUAL THERMOSTAT. INDIVIDUAL PROGRAMMABLE THERMOSTATS SHALL SHUT/OFF SUPPLY FANS AND ACTIVE COOLING/HEATING STYS AS SELECTED.
 - TEF-1, 50 CFM AT .1" TSP, 1.5 SONES MAX. BROWN G70. PROVIDE BOD AND SERVICE SWITCH, 55 WATTS AT 120V, 1-60.
 - TEST AND BALANCE: CONTRACTOR SHALL TEST AND BALANCE ALL VENTILATION AND AIR CONDITIONING SYSTEMS. SUBMIT FOUR COPIES OF TEST AND BALANCE REPORT TO OWNER FOR APPROVAL.
 - CLOTHES DRYER EXHAUST DUCTWORK:
 - MIN. 26 GAGE SHEET METAL W/ SMOOTH INTERIOR SURFACES AND JOINTS RUNNING IN DIRECTION OF AIRFLOW. DO NOT USE SCREWS OR OTHER INTRUSIVE FASTENERS. MAKE SMOOTH JOINTS. DUCTWORK SHALL COMPLY WITH DRYER MANUFACTURER'S RECOMMENDATIONS.

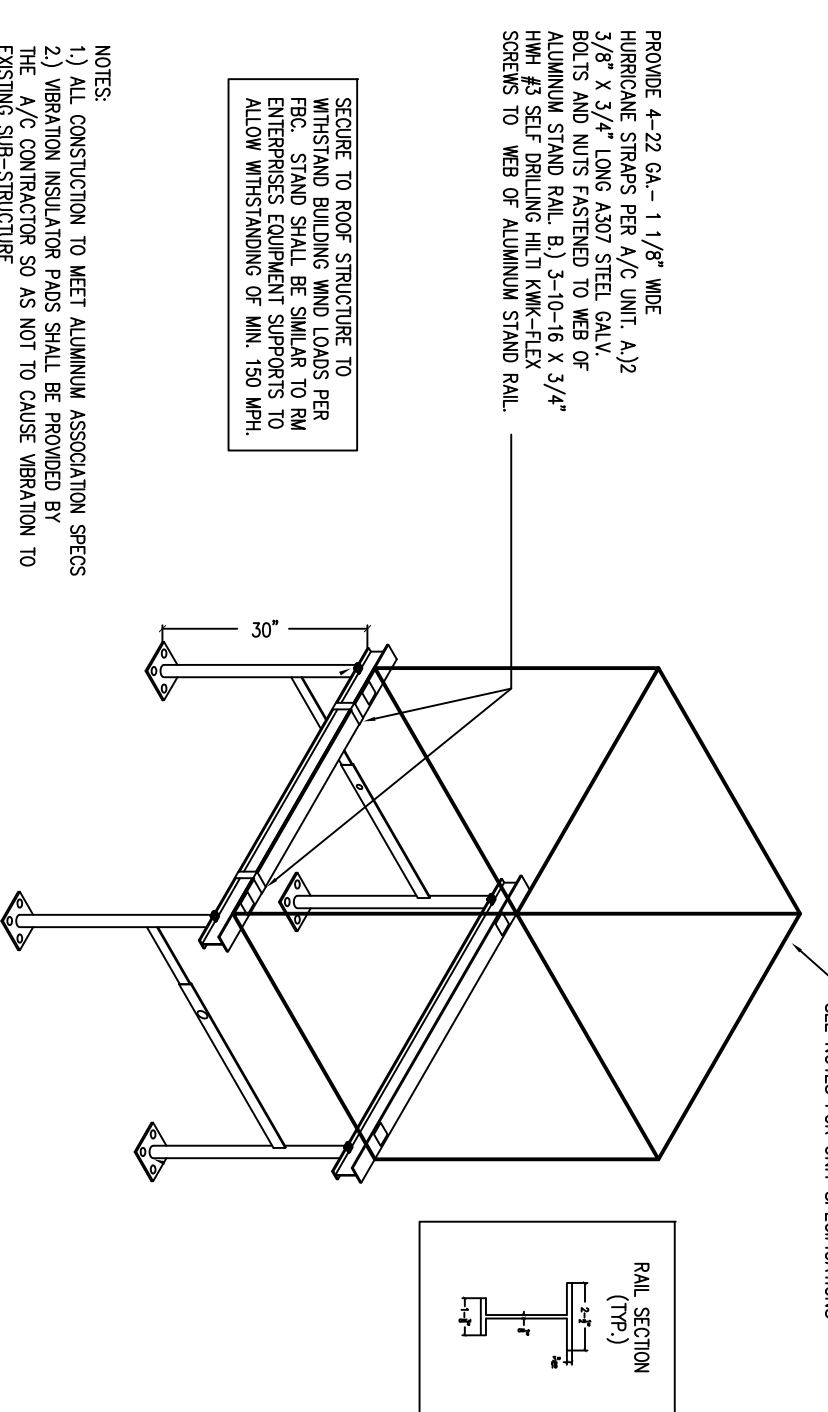
FLEX DUCT CONNECTION



PIPE SUPPORT DETAIL

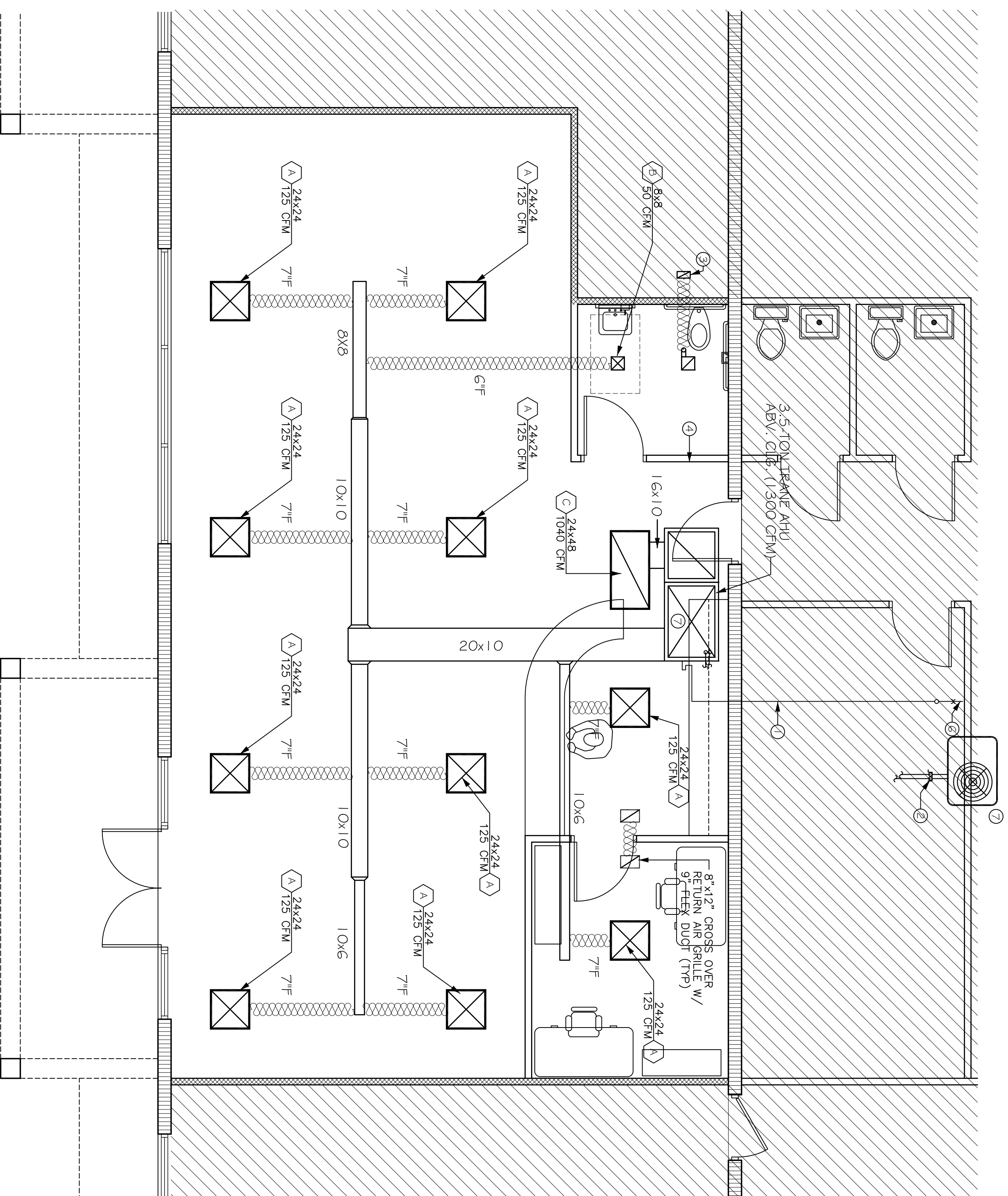


AC UNIT RACK DETAIL



MECHANICAL PLAN

SCALE: 1/4" = 1'-0"



FRESH AIR INTAKE CALC:
1.3 OCCUPANTS @ 20CFM PER OCCUPANT
260CFM FRESH AIR INTAKE

HVAC KEY NOTES

- CONDENSATE PIPING ABOVE CEILING TO EXTERIOR
- REF. PIPES IN GALLY. ENCLOSURE TO PENETRATE EXISTING ROOF AND TRAVEL THROUGH EXISTING TRUSSES TO PROPOSED AHU LOCATION.
- 4" TOILET EXHAUST DUCT TO ROOF CAP, W/MW5.
- THERMOSTAT
- 3/4" SCHEDULE 40 PVC CONDENSATE DRAIN PIPE ABOVE GROUND, RUN TO DRYWELL OR GRAVITY AREA. 2" UNDERGROUND TO GOOD DRAIN. SEPARATE MIN. 12" FROM WALL PROVIDE "P" TRAP AT UNIT CONNECTION. INSULATE WITH 1/2" ARMAFLEX A.G. (AT REAR OF BUILDING - VERIFY)
- 3 ton CONDENSING UNIT ON EXISTING ROOF TOP AC RACK.

DUCT WORK SYMBOLS

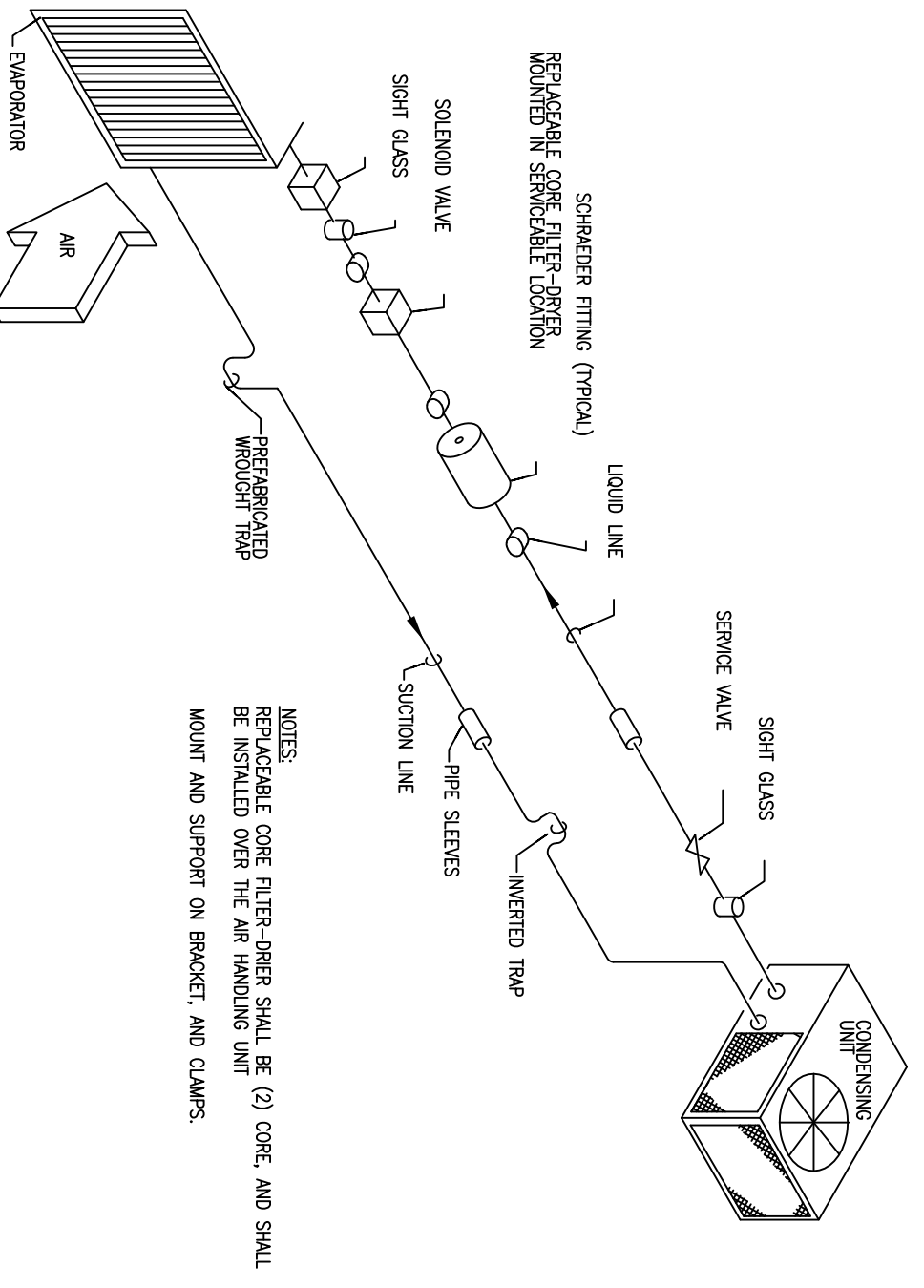
VD	MANUAL VOLUME DAMPER
CF OR CFM	CUBIC FEET PER MINUTE
UD	UNDERCUT DOOR
DG	DOOR GRILLE
DL	DOOR LOUVER (WITH VOLUME DAMPER AT AC CL.)
[Symbol]	SUPPLY OR OUTSIDE AIR DUCT
[Symbol]	RETURN OR EXHAUST AIR DUCT
[Symbol]	FLEXIBLE DUCT
[Symbol]	LETTER (A) DENOTES AIR DISTRIBUTION DEVICE TYPE NUMBER (B) DENOTES TERMINAL NECK SIZE NUMBER (200) DENOTES SUPPLY AIR QUANTITY
[Symbol]	RETURN AND EXHAUST AIR SUPPLY AIR THERMOSTAT

DIFFUSER SCHEDULE

SYMBOL	USE	TYPE	ACCESSORIES	MFG. #	MODEL NO.
A	SUPPLY AIR	CEILING DIFFUSER	...		
B	SUPPLY AIR	CEILING DIFFUSER	...		
C	RETURN AIR	CEILING GRILLE			

NOTE: ALL AIR DISTRIBUTION SHALL BE FINISHED WHITE BAKED ENAMEL.

REFRIG. PIPING DETAIL



YATES ASSOCIATES ARCHITECTURE INC.

ARCHITECTURE • PLANNING • INTERIOR DESIGN •
AA-26000673
215 SOUTH OLIVE, SUITE 500
WEST PALM BEACH, FL 33401
TEL: 561-653-8280 FAX: 561-653-9279
WWW.YATESARCHITECTURE.COM
EMAIL: KELLY@YATESARCHITECTURE.COM

DATE: MAY 15, 2011
JOB NO.: 11-0418
DESIGN BY: K.D.Y.
DRAWN BY: D.C.M.
APPROVED: K.D.Y.
REVISIONS:

A NEW RETAIL STORE FOR:
GOLD COAST FEED
13501. SOUTHSORE DRIVE
WELLINGTON
FLORIDA

PERMIT SUBMITTAL SET
5-24-11

KELLY D. YATES
FLORIDA AR 13706

SHEET NO.
M-1