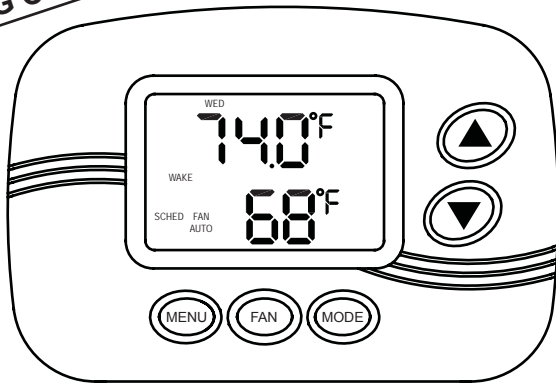


**Installation Instructions
Freedom
FP700 Series**

PSG Controls, Inc.



FEATURES

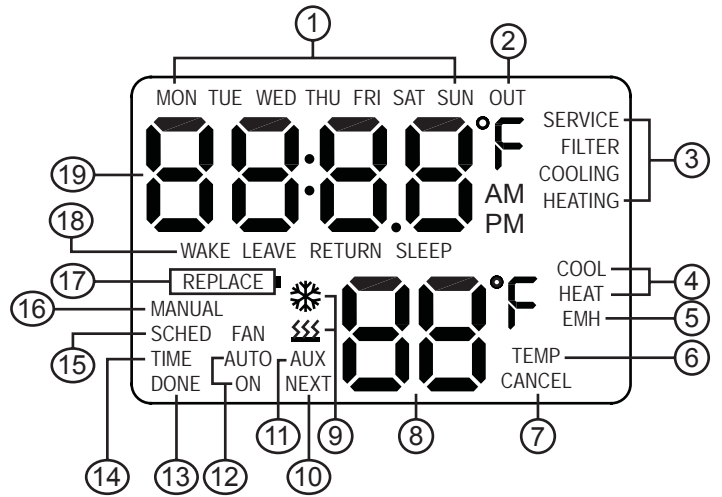
- Flexible applications
- Manual or Automatic changeover
- Advanced Performance Technology
- ServiceWatch® filter, cooling, heating
- Selectable separate cycle rate and differential in heating and cooling
- Password protection

This device should be installed by a qualified technician.

1. **CAUTION:** Make sure that power has been disconnected.
2. All wiring must comply with applicable codes and ordinances.
3. A thorough check-out of the system should be made after installation is complete.
4. If retrofitting old thermostat, remove old thermostat from wall, carefully noting the wire connections on the old unit. Record wire color and terminal legends in spaces provided.

| Thermostat terminals | Cable wire color |
|----------------------|------------------|
| Y2 | _____ |
| Y1 | _____ |
| B/O | _____ |
| G | _____ |
| C | _____ |
| RC | _____ |
| RH | _____ |
| W1 | _____ |
| W2 | _____ |

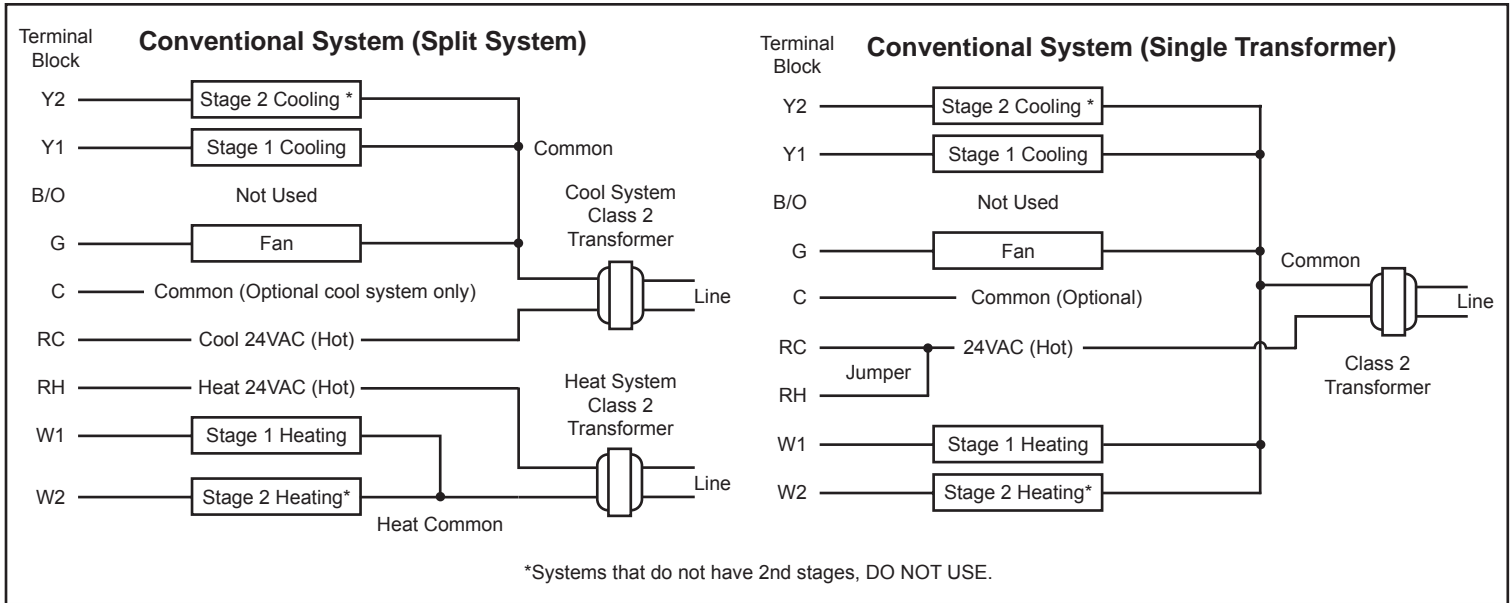
5. Using the mounting screws provided, mount the thermostat base to the wall or junction box.
6. Connect wire cables according to your wire color chart.
7. Push excess cable wires back into the wall. If there is a draft, pack the opening with non-combustible material.
8. Place batteries into battery cradle.
9. Position cover over base and press gently to close.



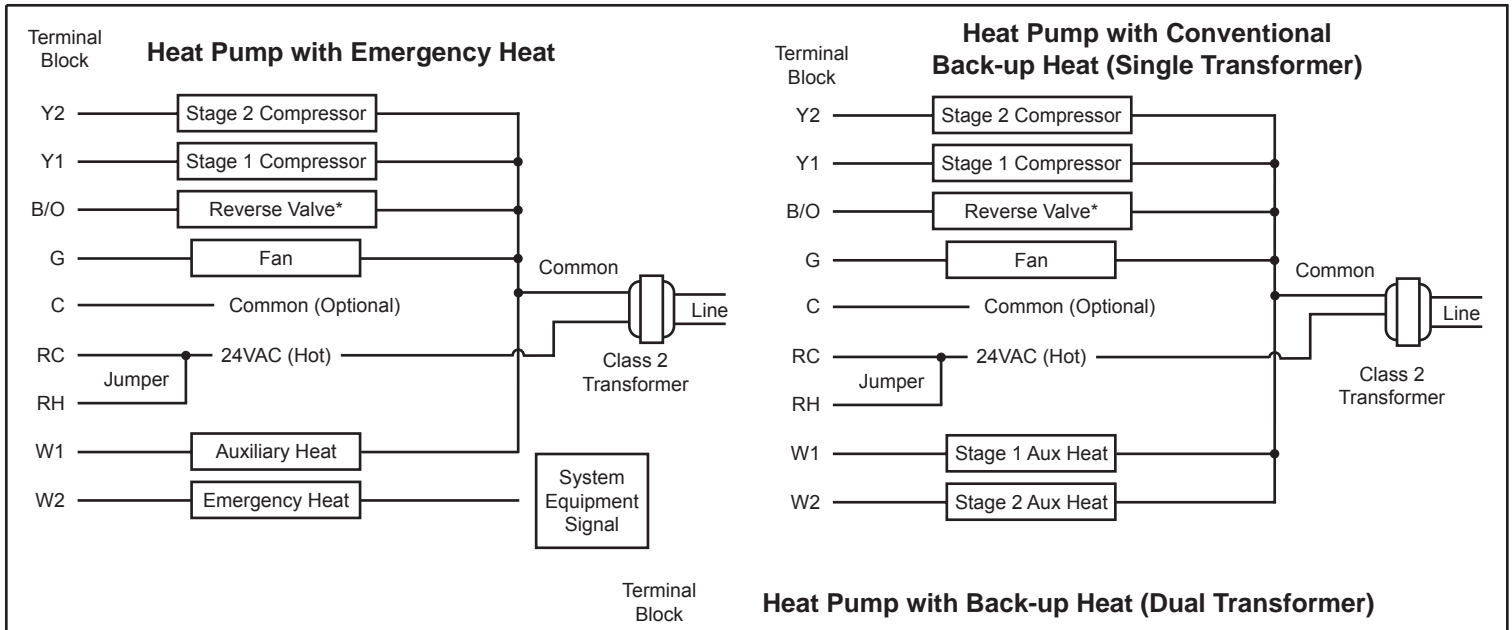
- ① Indicates current day, used for event schedule programming
- ② Indicates when temperature shown is outside temperature
- ③ Indicates when service is needed
Filter changed or, heating or cooling systems maintained
(Does not indicate an emergency)
- ④ Indicates current operational mode
- ⑤ Indicates emergency heat active
- ⑥ Indicates event schedule has been temporarily overridden
- ⑦ Cancels a scheduled event or cancels programming
Use MODE button
- ⑧ Indicates setpoint
- ⑨ Indicates heating or cooling active, flashes when pending
- ⑩ Used in programming (FAN button)
- ⑪ Indicates auxiliary heat active
- ⑫ Indicates fan function, auto on/off or constant on
- ⑬ Used in programming (MENU button)
- ⑭ Shows when setting time and date
- ⑮ Indicates event schedule is active
- ⑯ Indicates fixed setpoint operation active
- ⑰ Indicates when batteries need replacement
- ⑱ Indicates current event
- ⑲ Slowly flashes current time of day and room temperature

This thermostat can be configured prior to attaching to the wall. Just install the batteries into the battery cradle and program the configurations, the advanced settings and even the event schedule.

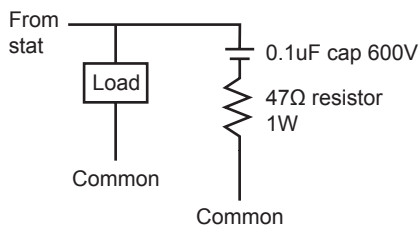
Conventional System Wiring



Heat Pump Wiring



Note: Applications involving currents in excess of 0.8 amps (solenoid valves, 3 phase contactor relays) will require a snubber circuit connected across load terminals.



IMPORTANT:

For this configuration do not use a jumper between RC and RH.

*Reverse Valve B = energize on heat O = energize on cool