

designed S.B.D.
drawn T.J.C.
checked S.B.D.
date 02/03/12
scale 1/4" = 1'-0" U.N.O.
job no. 10244.ccm

Scott Blakeslee Dishar
AR-0011566 AA-0003285

CLUBHOUSE UNIVERSITY DAYCARE
JUPITER FARMS SHOPPING CENTER
PALM BEACH COUNTY, FLORIDA

project

ARCHITECTURAL
Studio, Inc.

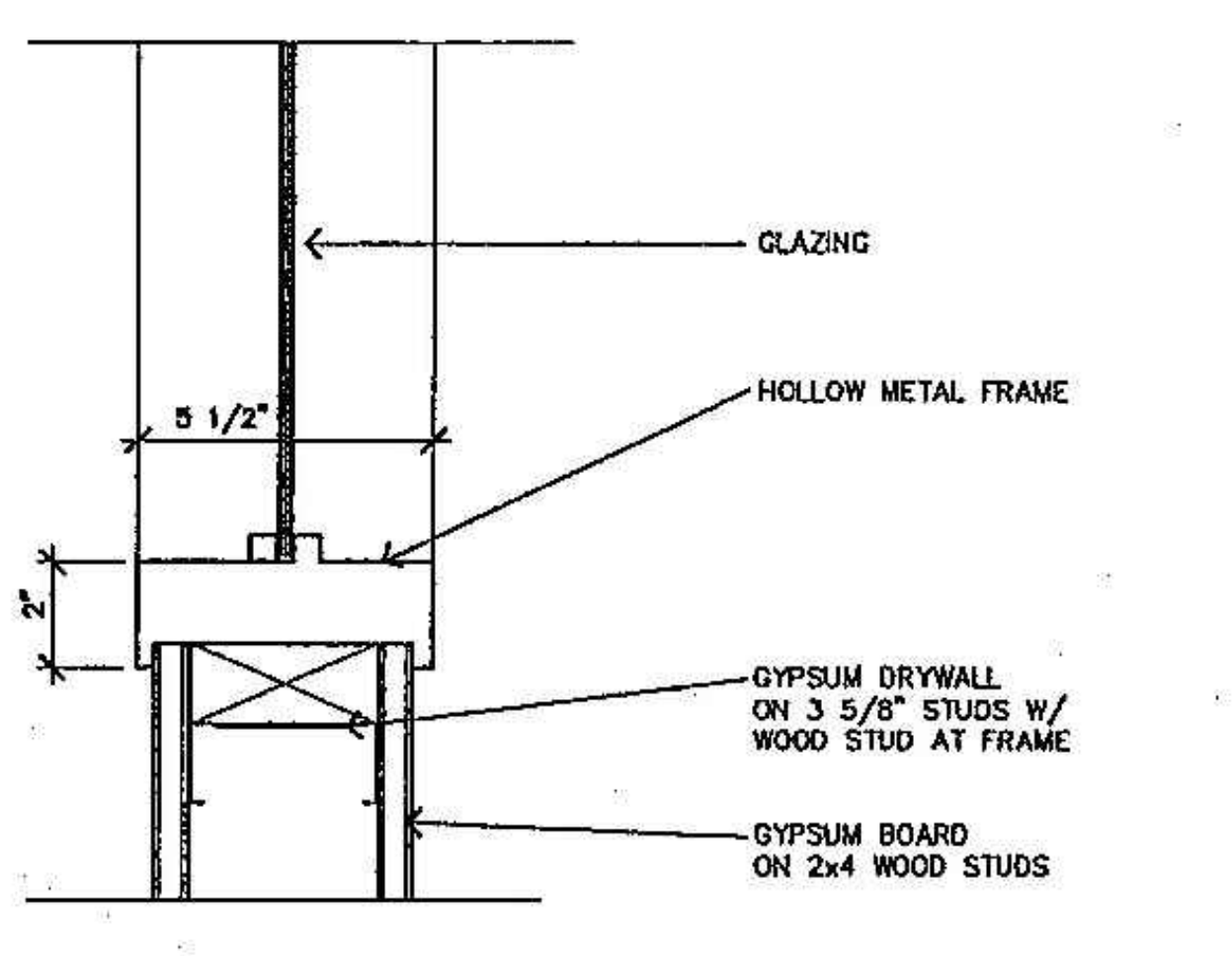
Architecture
Planning

300 Avenue of Champions
Suite 260
Palm Beach Gardens, Florida 33418
Phone 561.202.6990
Fax 561.296.2494
archstudiofl.com

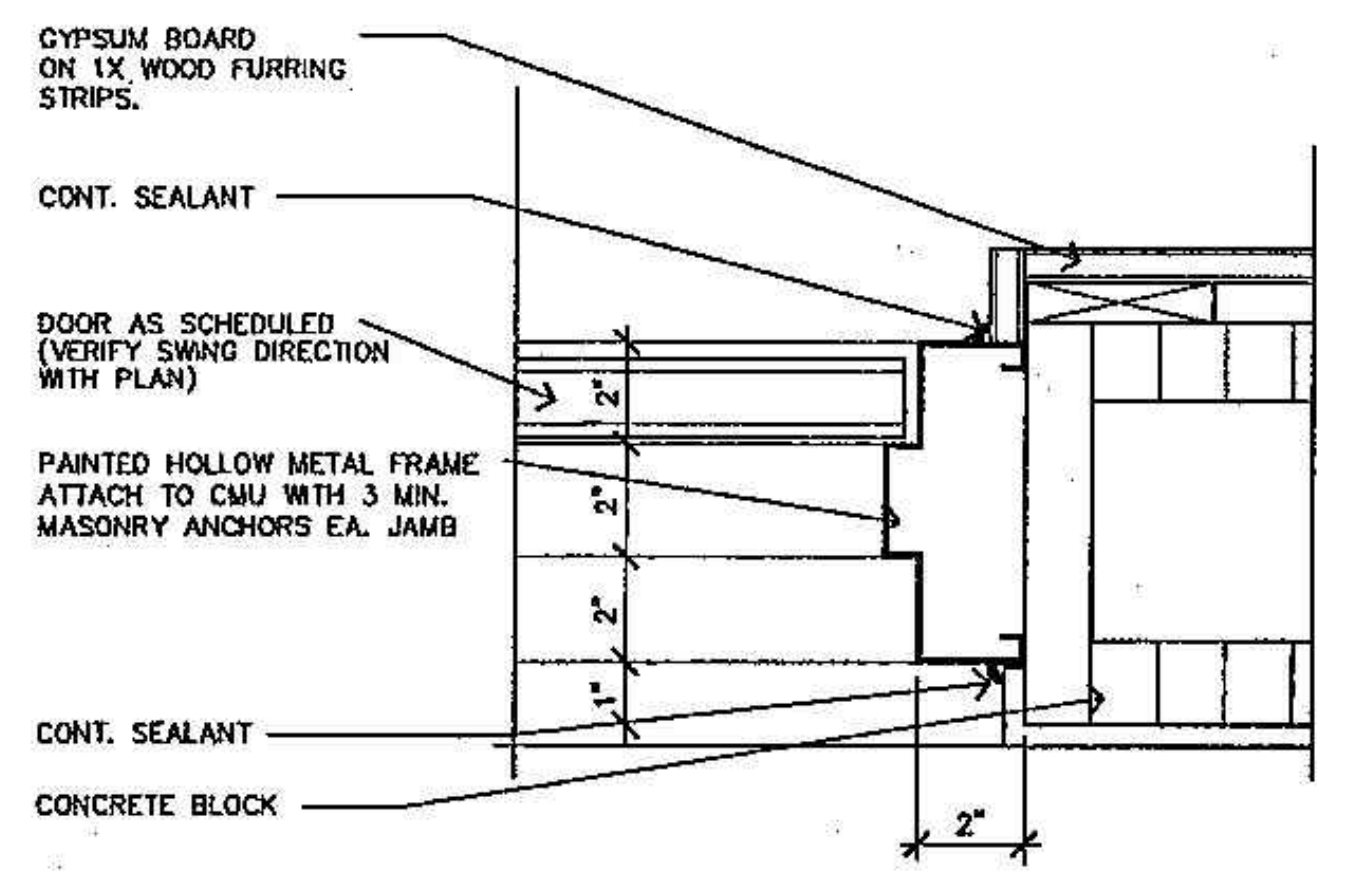
drawing
DETAILS

sheet
A-3

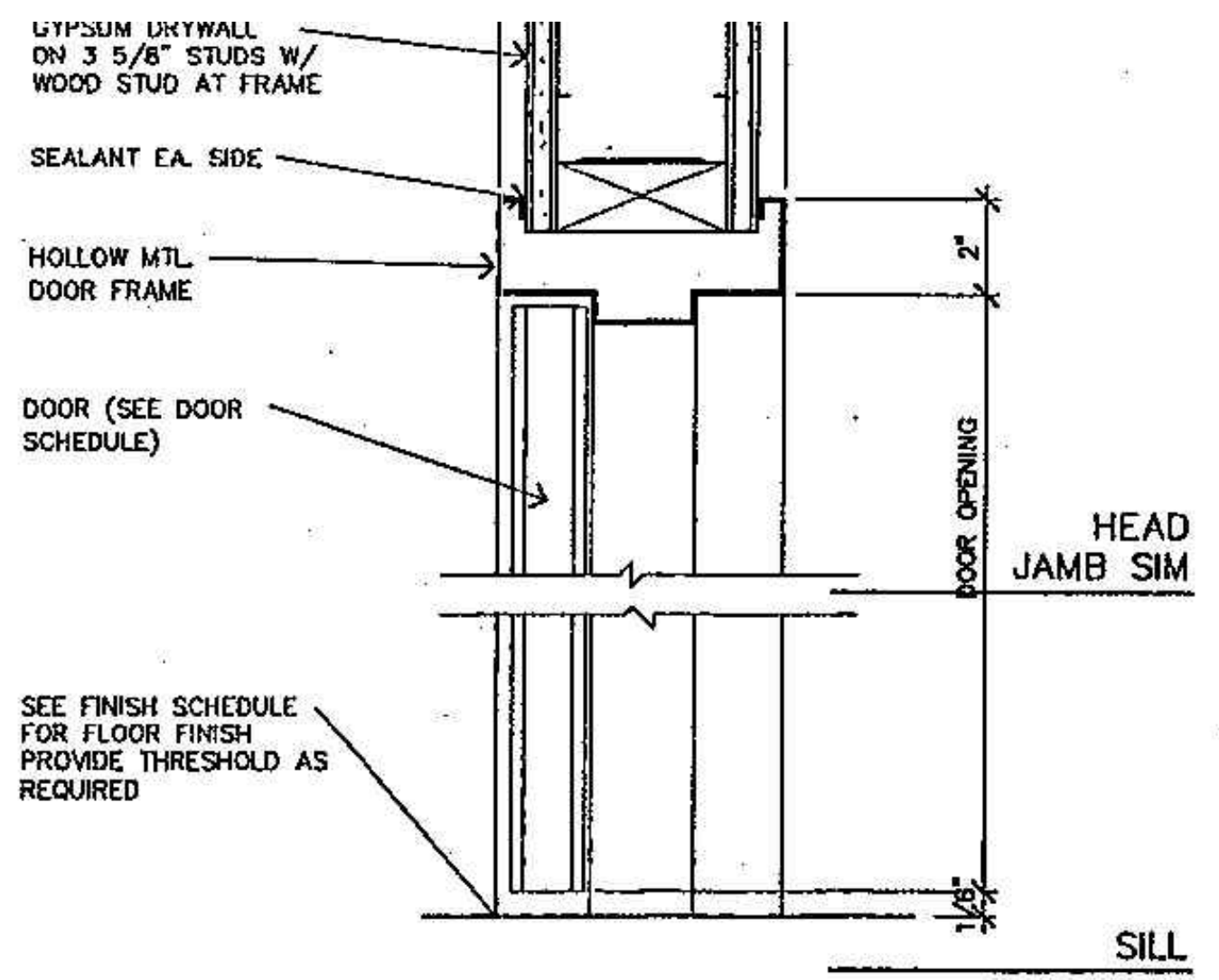
of _____



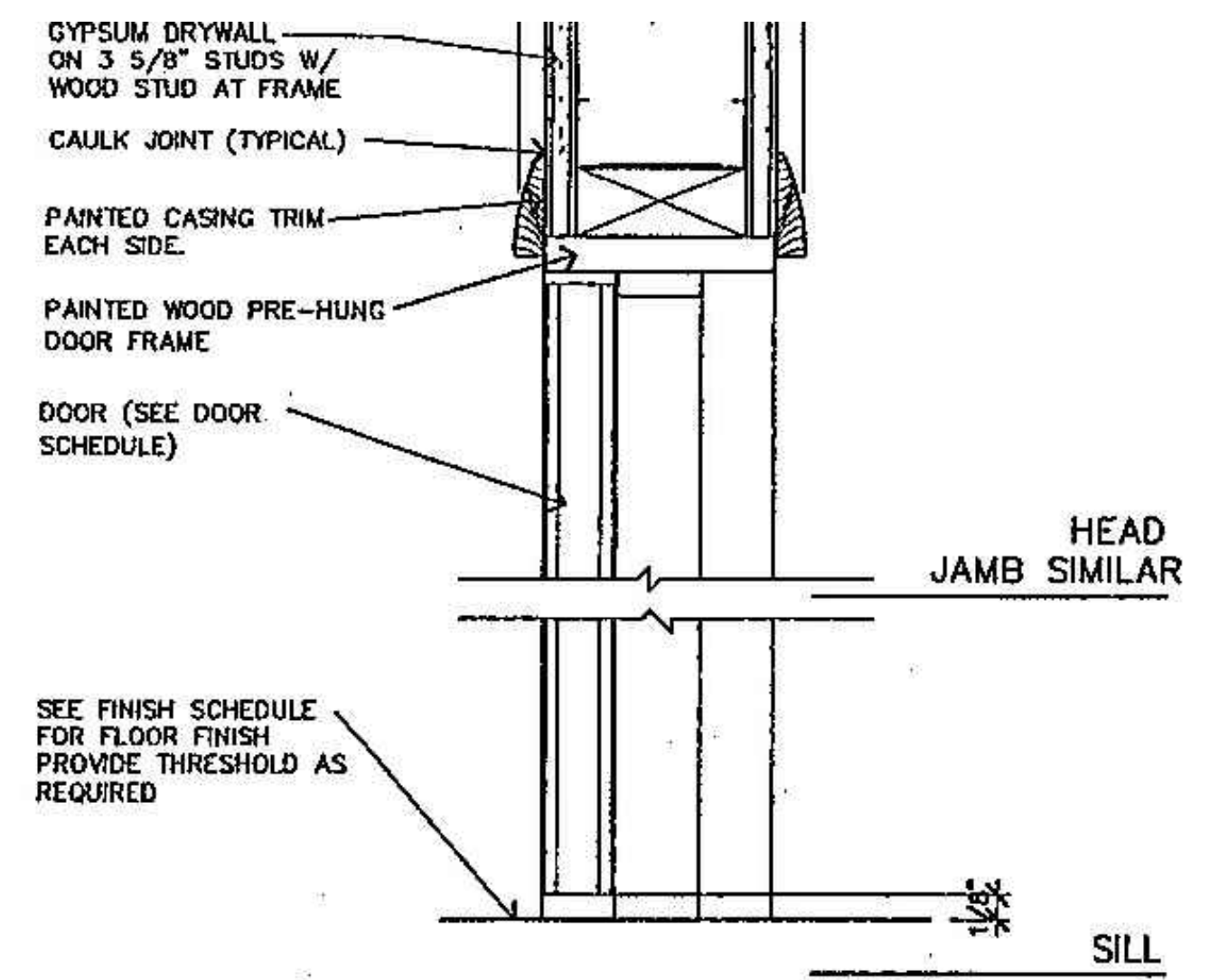
INTERIOR WINDOW SILL (JAMB AND HEAD SIM)
3" = 1'-0"



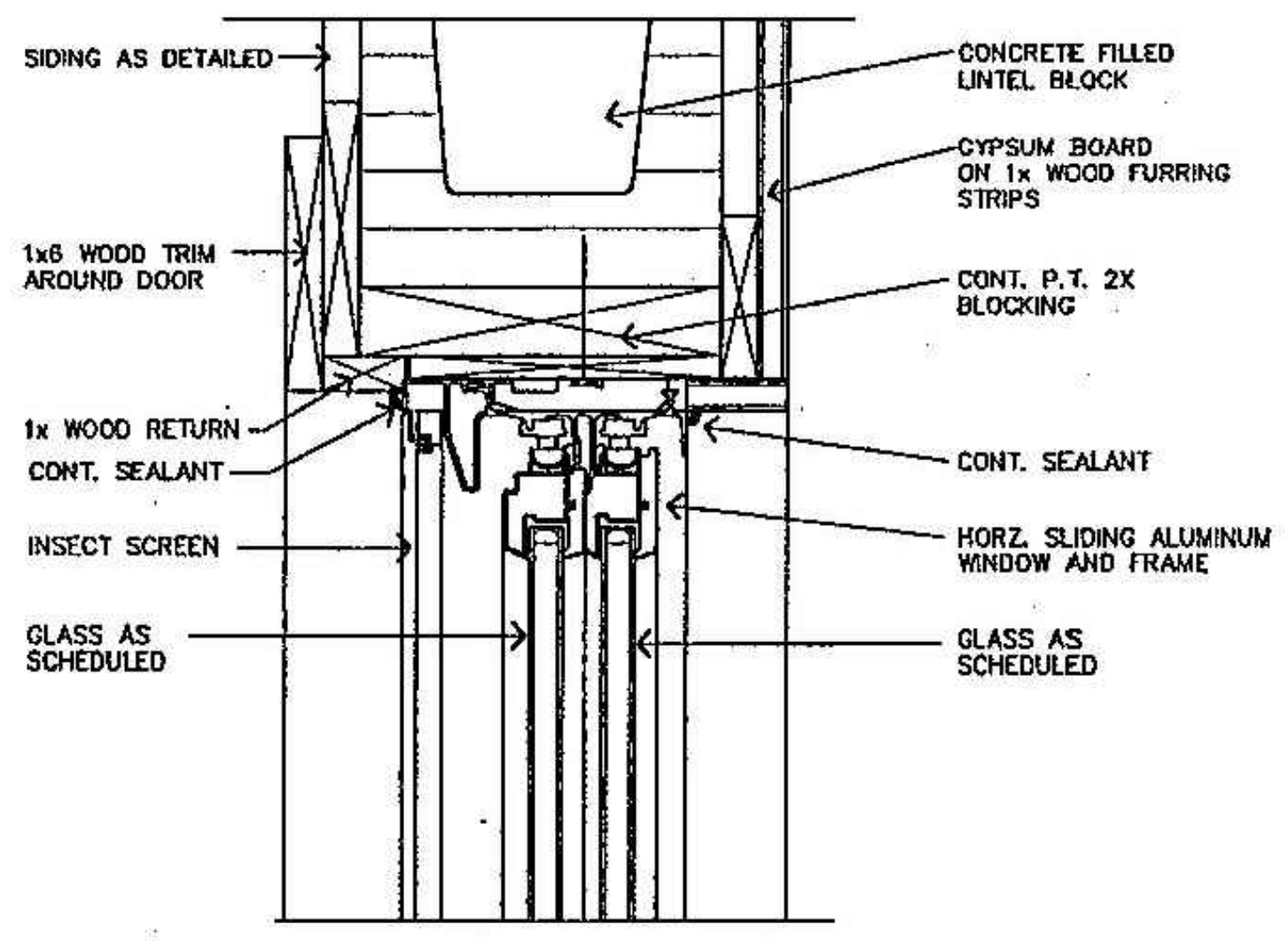
H. M. DOOR FRAME (HEAD SIM)
3" = 1'-0"



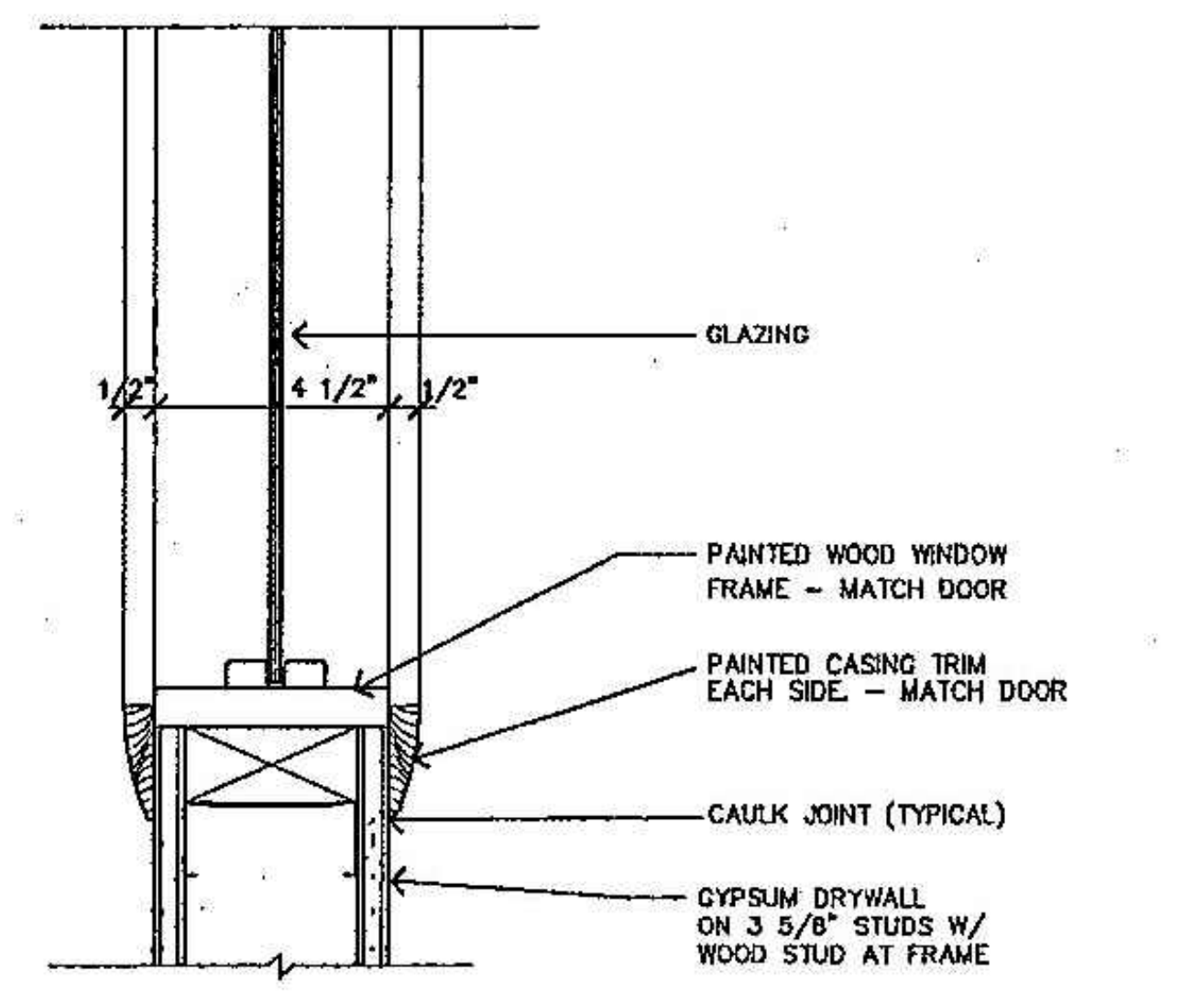
INTERIOR H. M. DOOR FRAME
3" = 1'-0"



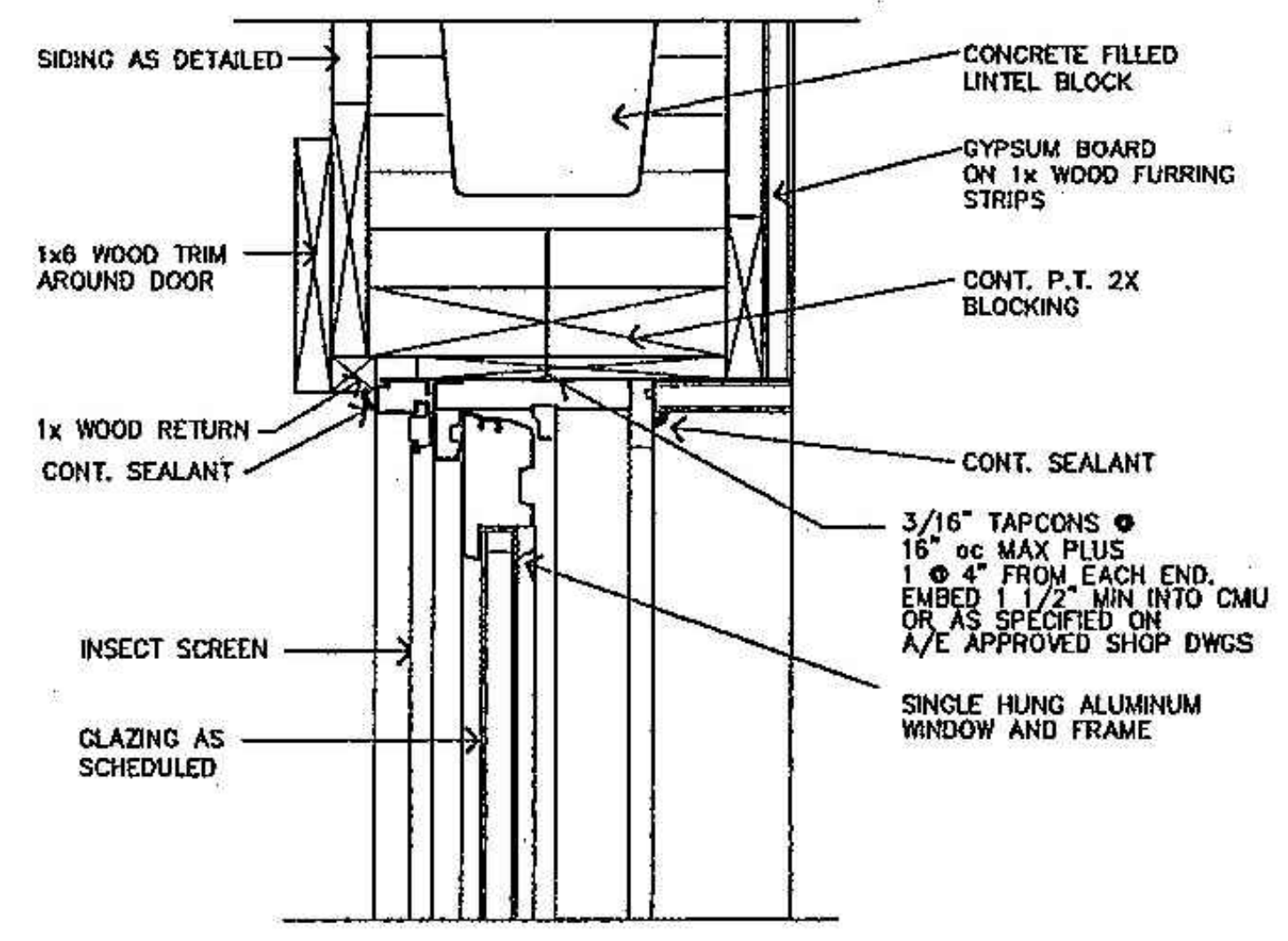
INTERIOR WOOD DOOR FRAME
3" = 1'-0"



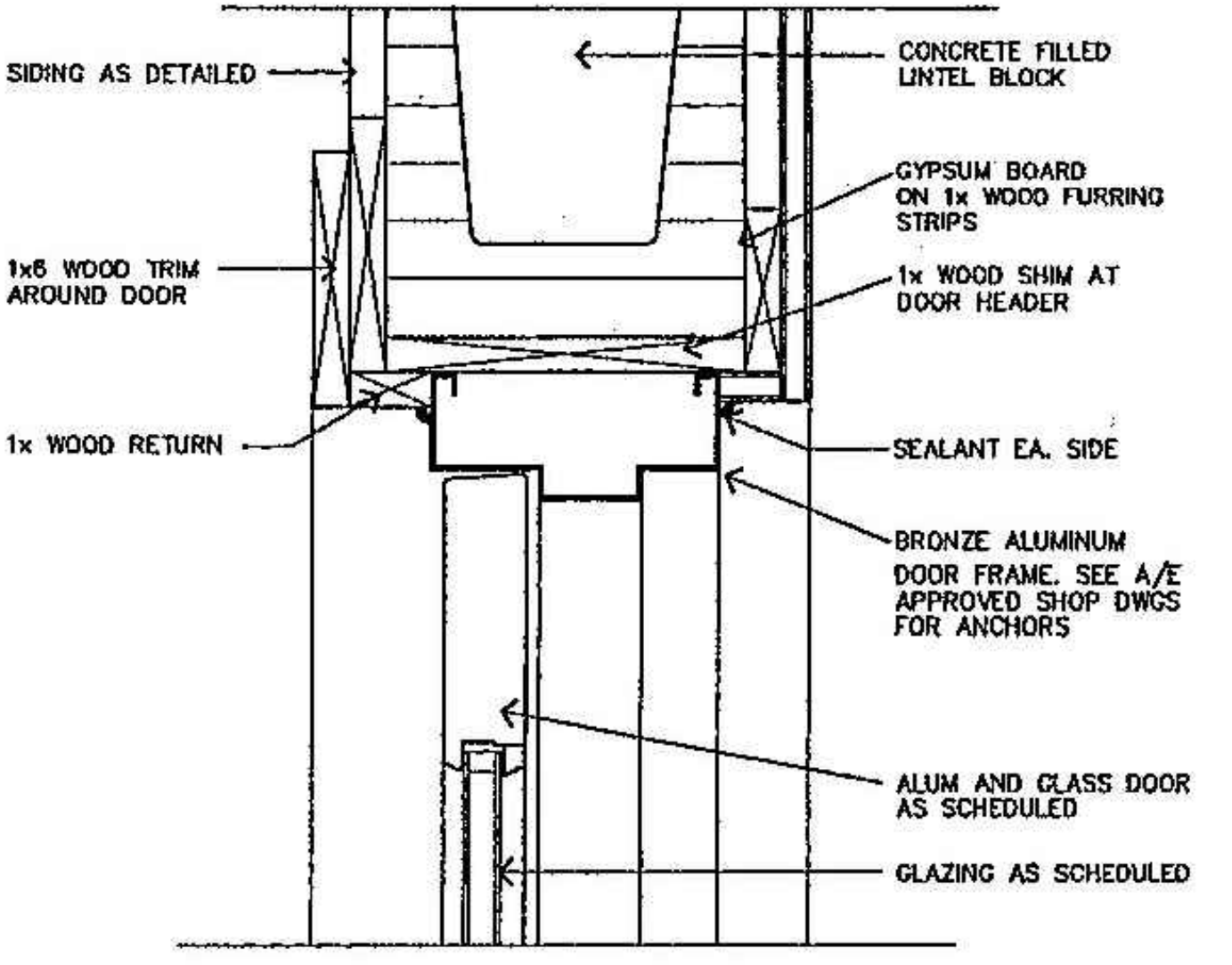
SLIDER WINDOW HEAD
3" = 1'-0"



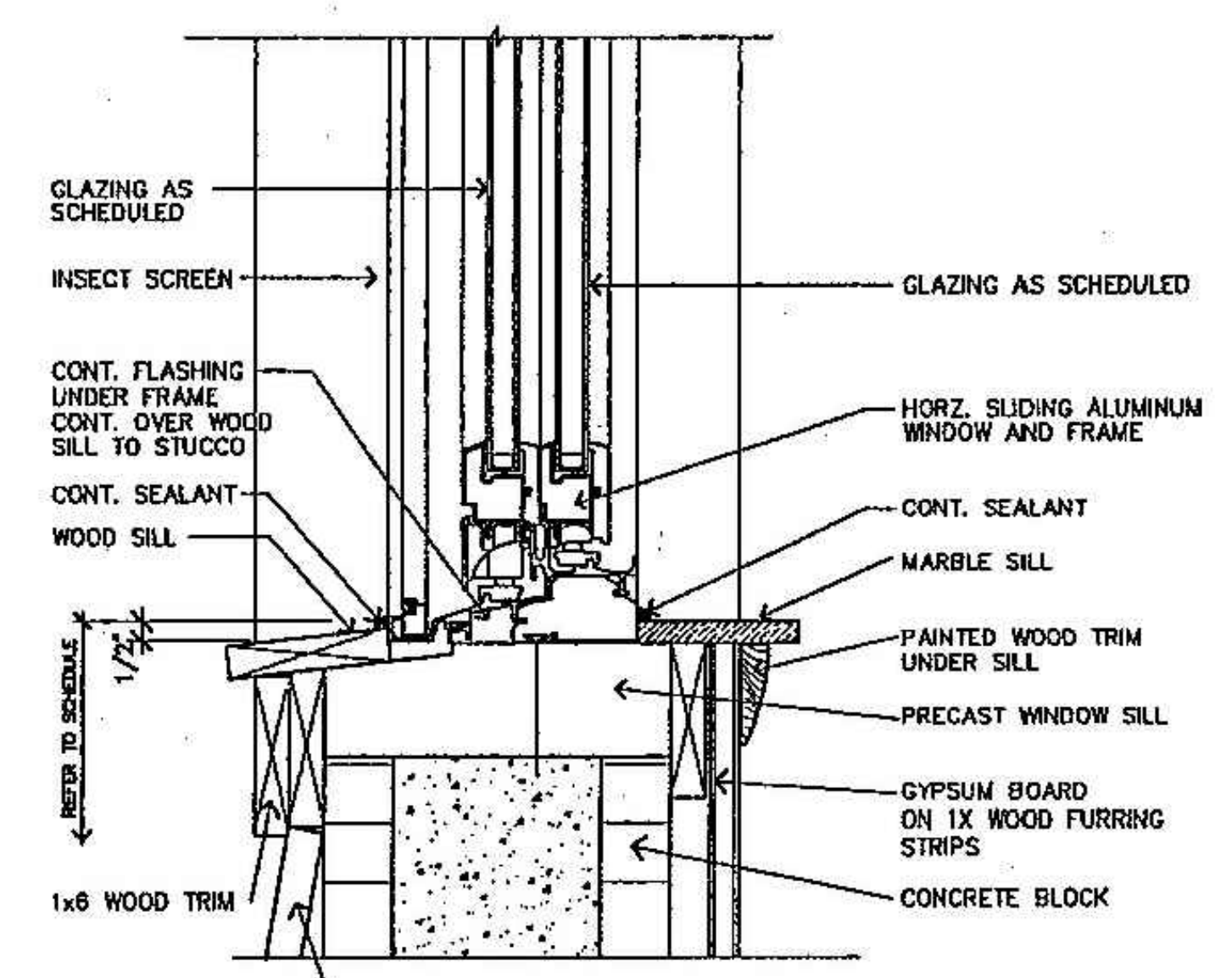
INTERIOR WINDOW SILL (JAMB AND HEAD SIM)
3" = 1'-0"



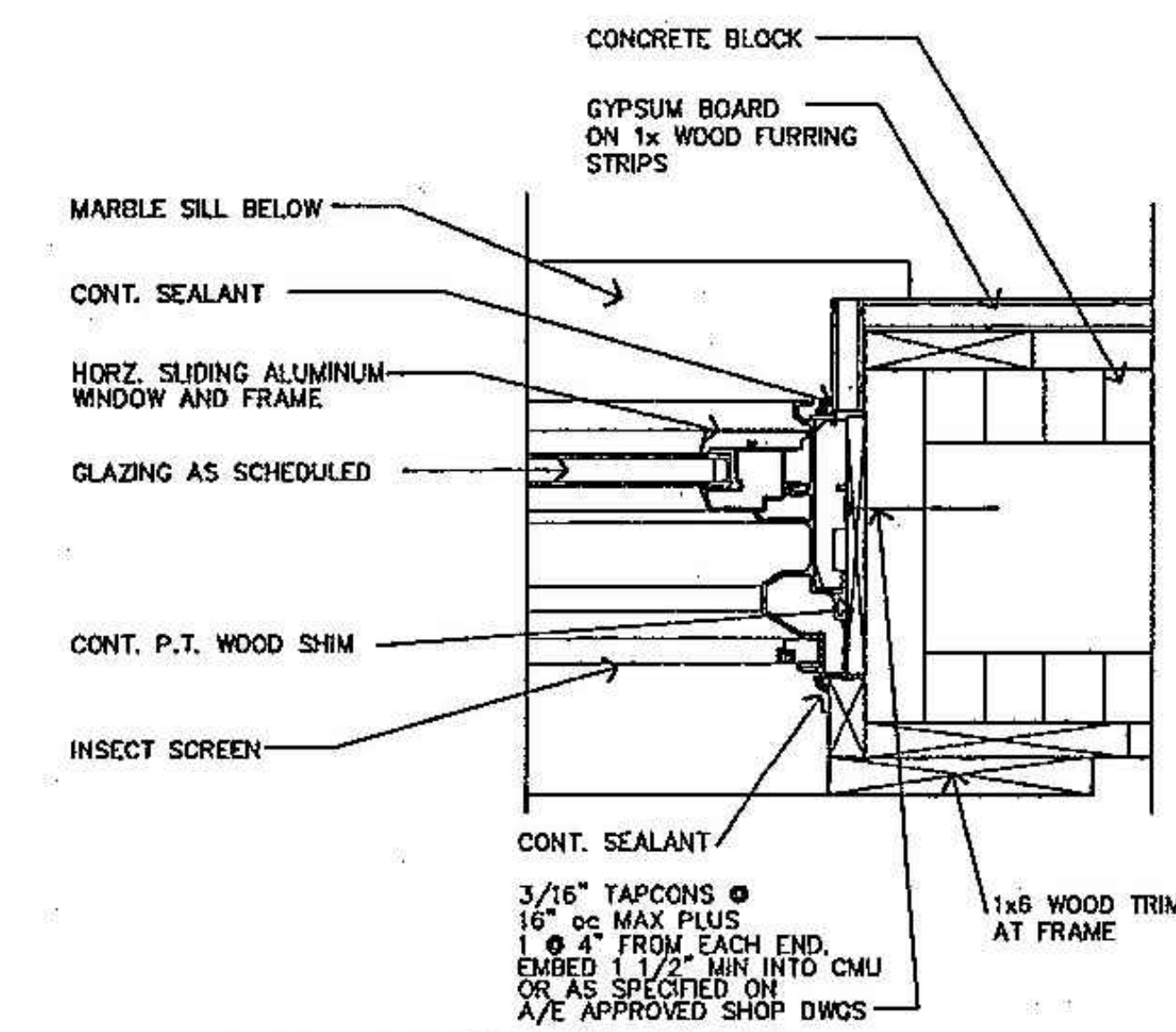
SINGLE HUNG WINDOW HEAD
3" = 1'-0"



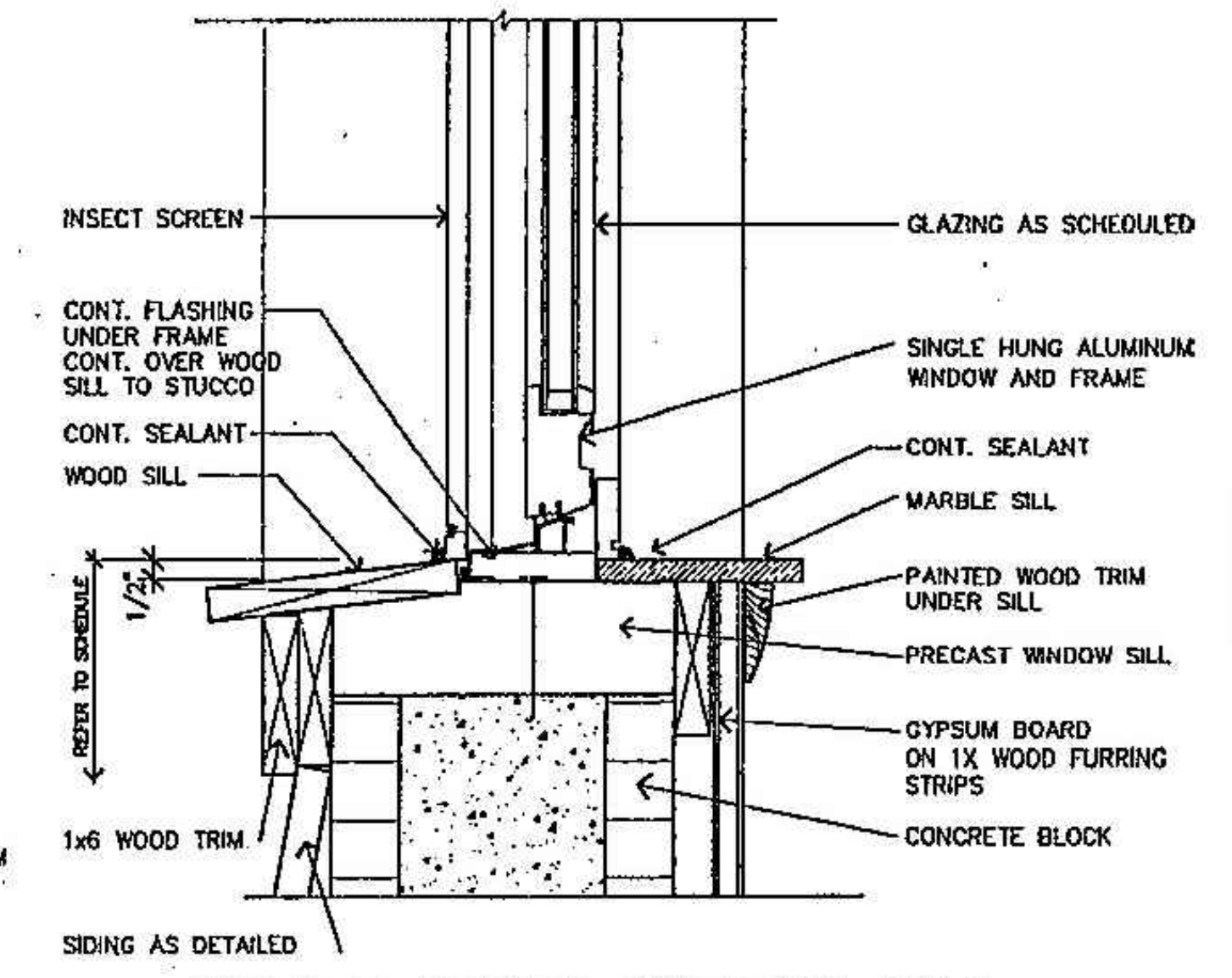
EXTERIOR DOOR HEAD
3" = 1'-0"



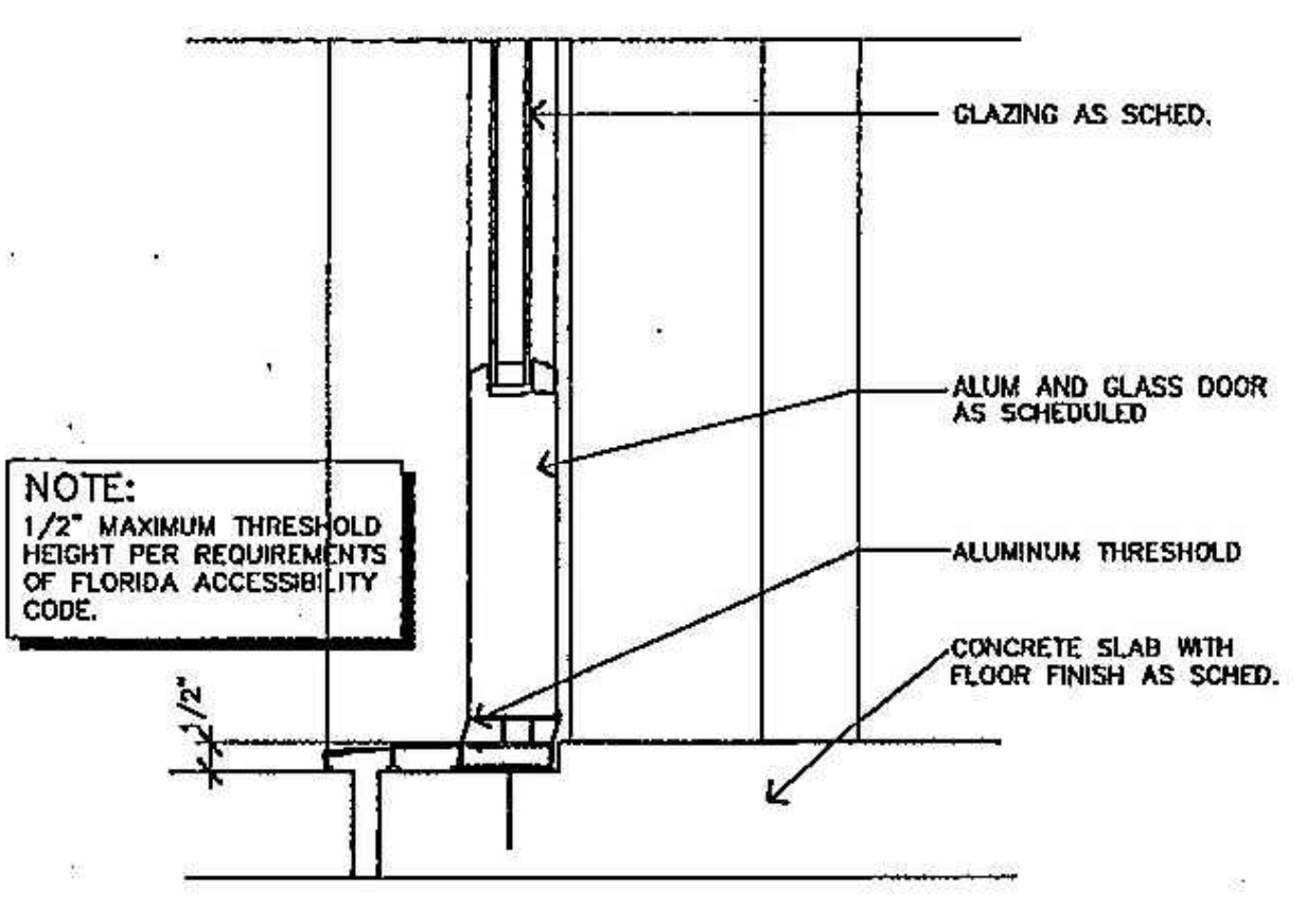
SLIDER WINDOW SILL
3" = 1'-0"



SLIDER WINDOW JAMB (HEAD SIM)
3" = 1'-0"



SINGLE HUNG WINDOW SILL
3" = 1'-0"



EXTERIOR DOOR SILL
3" = 1'-0"

NOTE:
1/2" MAXIMUM THRESHOLD
HEIGHT PER REQUIREMENTS
OF FLORIDA ACCESSIBILITY
CODE.