

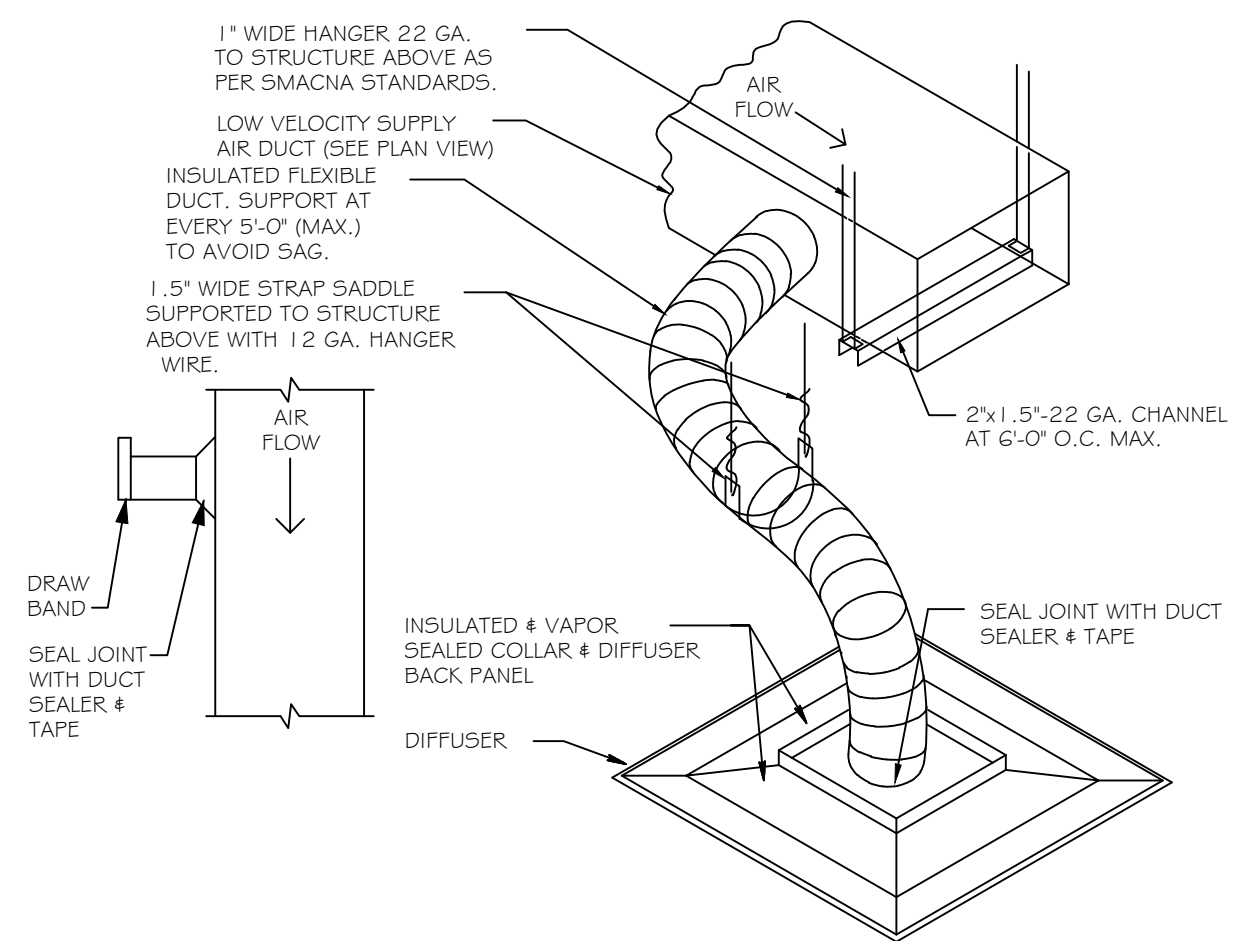
HVAC GENERAL NOTES

1. GENERAL
 - A. ALL WORK SHALL BE DONE IN ACCORDANCE WITH THE FLORIDA BUILDING CODE AND WITH ALL APPLICABLE REGULATIONS.
 - B. DRAWINGS: REFER TO ALL DRAWINGS FOR COORDINATION OF THE HVAC WORK.
 - C. ARRANGE AND PAY FOR ALL PERMITS, LICENSES, INSPECTIONS AND TESTS. OBTAIN THE REQUIRED CERTIFICATES AND PRESENT TO OWNER.
 - D. GUARANTEE: THE COMPLETED INSTALLATION SHALL BE FULLY GUARANTEED AGAINST DEFECTIVE MATERIALS AND/OR IMPROPER WORKMANSHIP FOR A MINIMUM OF ONE YEAR FOR MATERIAL AND LABOR. ALL COMPRESSORS SHALL BE GUARANTEED FOR 5 YEARS MINIMUM.
2. SHOP DRAWINGS: CONTRACTORS SHALL SUBMIT FOR APPROVAL, WITHIN 30 DAYS AFTER SIGNING CONTRACT, A MINIMUM OF FIVE COPIES OF FULLY DESCRIPTIVE LITERATURE, INCLUDING BUT NOT LIMITED TO: FANS, AIR CONDITIONING UNITS, AIR OUTLETS. NO WORK SHALL PROCEED WITHOUT APPROVAL OF THESE SUBMITTALS.
3. DESIGN PARAMETERS:
 - A. INDOOR DESIGN TEMPERATURE (SUMMER): 78°F DB
 - B. INDOOR DESIGN TEMPERATURE (WINTER): 70°F DB
4. ALL THERMOSTATS SHALL HAVE HEATING MODE MAXIMUM SETTING OF 75 F. AND COOLING MODE MINIMUM SETTING OF 70 F. THE THERMOSTAT SHALL BE ARRANGED TO PREVENT THE SIMULTANEOUS OPERATION OF HEATING AND COOLING.
5. ELECTRICAL CONTROLS AND POWER WIRING: UNDER ELECTRICAL CONTRACT.
6. EQUIPMENT SPECIFIED BY MANUFACTURER'S NUMBER SHALL INCLUDE ALL ACCESSORIES, CONTROLS, ETC., LISTED IN THE CATALOG AS STANDARD WITH THE EQUIPMENT. OPTIONAL OR ADDITIONAL ACCESSORIES SHALL BE FURNISHED AS SPECIFIED.
7. MATERIALS:
 - A. REFRIGERANT PIPING: SHALL BE TYPE L SOFT DRAWN, COPPER TUBING, DEHYDRATED FOR REFRIGERANT USE. SIZED AS SHOWN ON DRAWINGS OR AS PER AIR CONDITIONING EQUIPMENT MANUFACTURER'S RECOMMENDATIONS.
 - B. INSULATION: REFRIGERANT SUCTION PIPING SHALL BE INSULATED WITH 1/2" THICK FOAMED PLASTIC INSULATION, FIRE RETARDANT TYPE. INSULATION SHALL BE INSTALLED IN PIPING BEFORE ASSEMBLY. NO SPLIT INSULATION WILL BE ACCEPTABLE. SEAL JOINTS WITH MANUFACTURER'S APPROVED ADHESIVE AND GREY TAPE.
 - C. DUCTWORK:
 - A. ALL SUPPLY AIR DUCTWORK SHALL BE 1 1/2" THICK FIBERGLASS DUCTBOARD, FABRICATED AND INSTALLED AS PER LATEST EDITION OF SMACNA "FIBROUS GLASS DUCT MANUAL". R-6.0 MIN.
 - B. ALL TOILET EXHAUST DUCTWORK SHALL BE GALVANIZED SHEET METAL DUCT NOT LIGHTER THAN 24 GAGE.
 - C. ALL DUCT DIMENSIONS ARE CLEAR INSIDE DIMENSIONS.
 - D. FLEXIBLE INSULATED DUCTWORK WITH 1 1/2" THICK FIBERGLASS INSULATION WITH FRK VAPOR BARRIER. R-6.0 MIN.
8. CONTROLS: AIR CONDITIONING UNITS SHALL BE STARTED AND STOPPED THRU INDIVIDUAL THERMOSTAT. INDIVIDUAL PROGRAMMABLE THERMOSTATS SHALL START/STOP SUPPLY FANS AND ACTIVATE COOLING/HEATING SYS AS SELECTED.
9. TEF-1 50 CFM AT .1" TSP 1.5 SONES MAX. BROAN 670, PROVIDE BDD AND SERVICE SWITCH. 55 WATTS AT 120V-1-60.
10. TEST AND BALANCE: CONTRACTOR SHALL TEST AND BALANCE ALL VENTILATION AND AIR CONDITIONING SYSTEMS. SUBMIT FOUR COPIES OF TEST AND BALANCE REPORT, TO OWNER FOR APPROVAL.
11. CLOTHES DRYER EXHAUST DUCTWORK:
 - MIN. 26 GAGE SHEET METAL W/ SMOOTH INTERIOR SURFACES AND JOINTS RUNNING IN DIRECTION OF AIRFLOW. DO NOT USE SCREWS OR OTHER INTRUSIVE FASTENERS. MAKE SMOOTH JOINTS. DUCTWORK SHALL COMPLY WITH DRYER MANUFACTURER'S RECOMMENDATIONS.

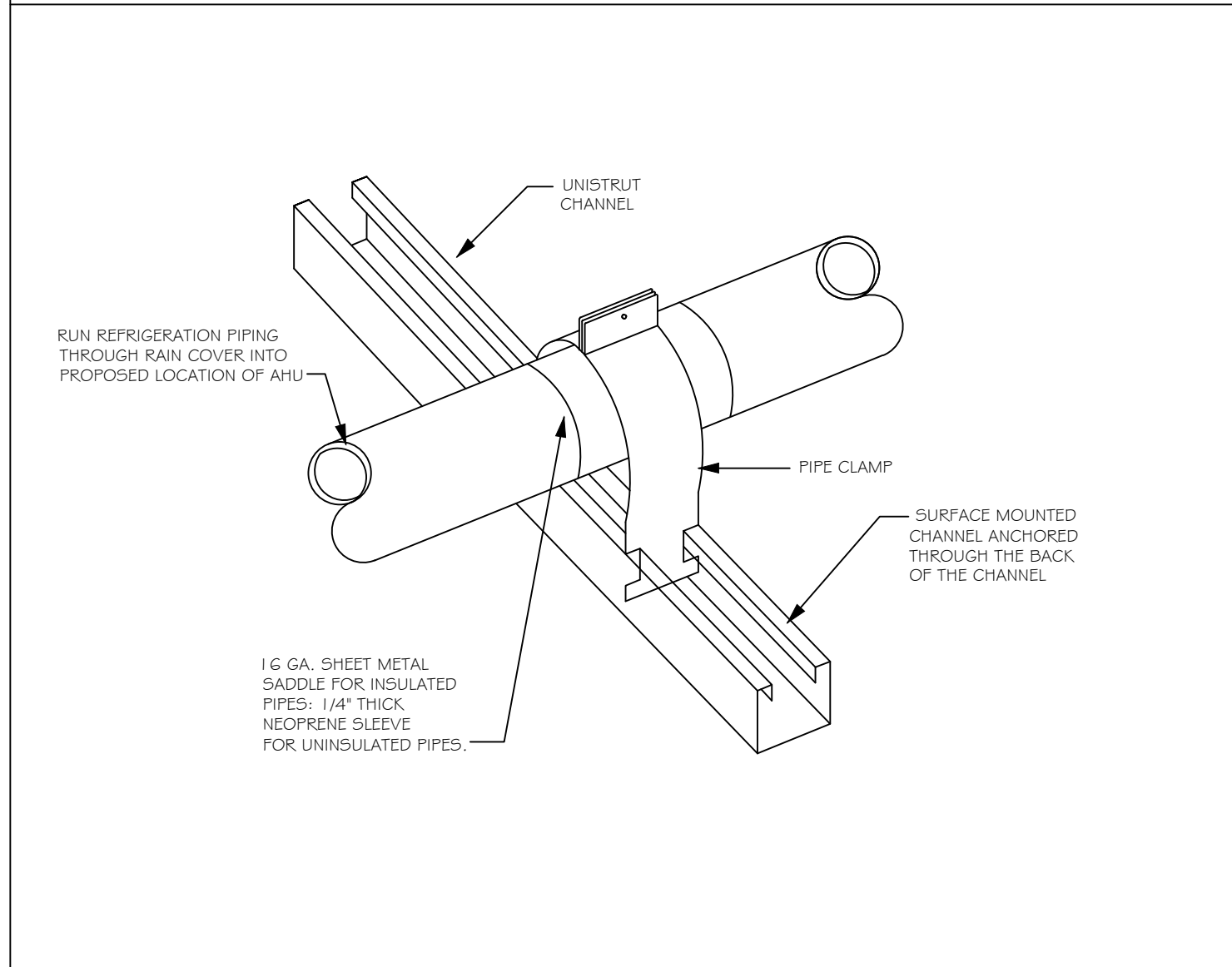
DUCT WORK SYMBOLS

VD	MANUAL VOLUME DAMPER
C OR CFM	CUBIC FEET PER MINUTE
UC	UNDERCUT DOOR
DG	DOOR GRILLE
DL	DOOR LOUVER (WITH VOLUME DAMPER AT AC CL.)
	SUPPLY OR OUTSIDE AIR DUCT
	RETURN OR EXHAUST AIR DUCT
	FLEXIBLE DUCT
	LETTER [A] DENOTES AIR DISTRIBUTION DEVICE TYPE
	NUMBER [Ø] DENOTES TERMINAL NECK SIZE
	NUMBER [200] DENOTES SUPPLY AIR QUANTITY
	RETURN AND EXHAUST AIR
	SUPPLY AIR
	THERMOSTAT

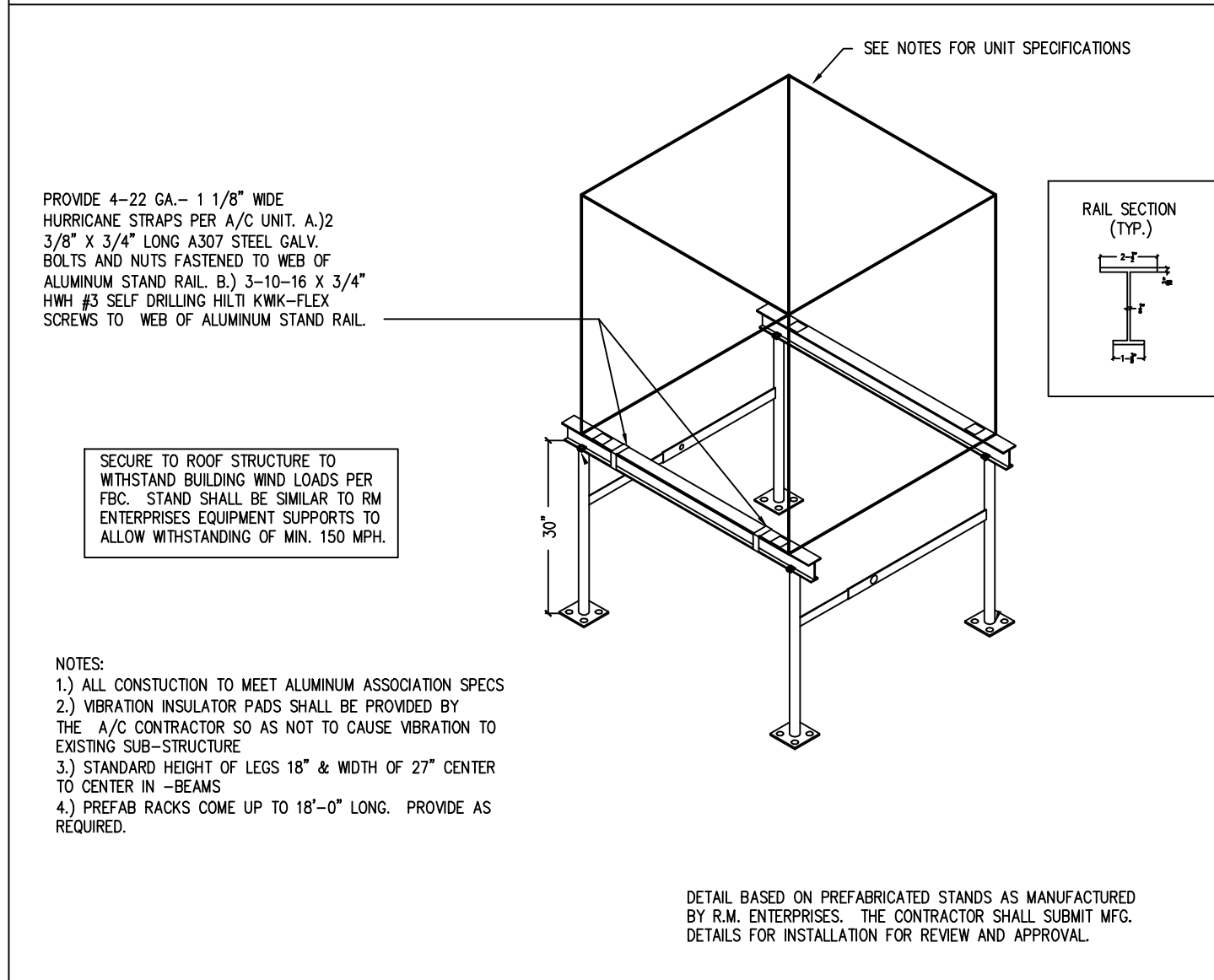
FLEX DUCT CONNECTION



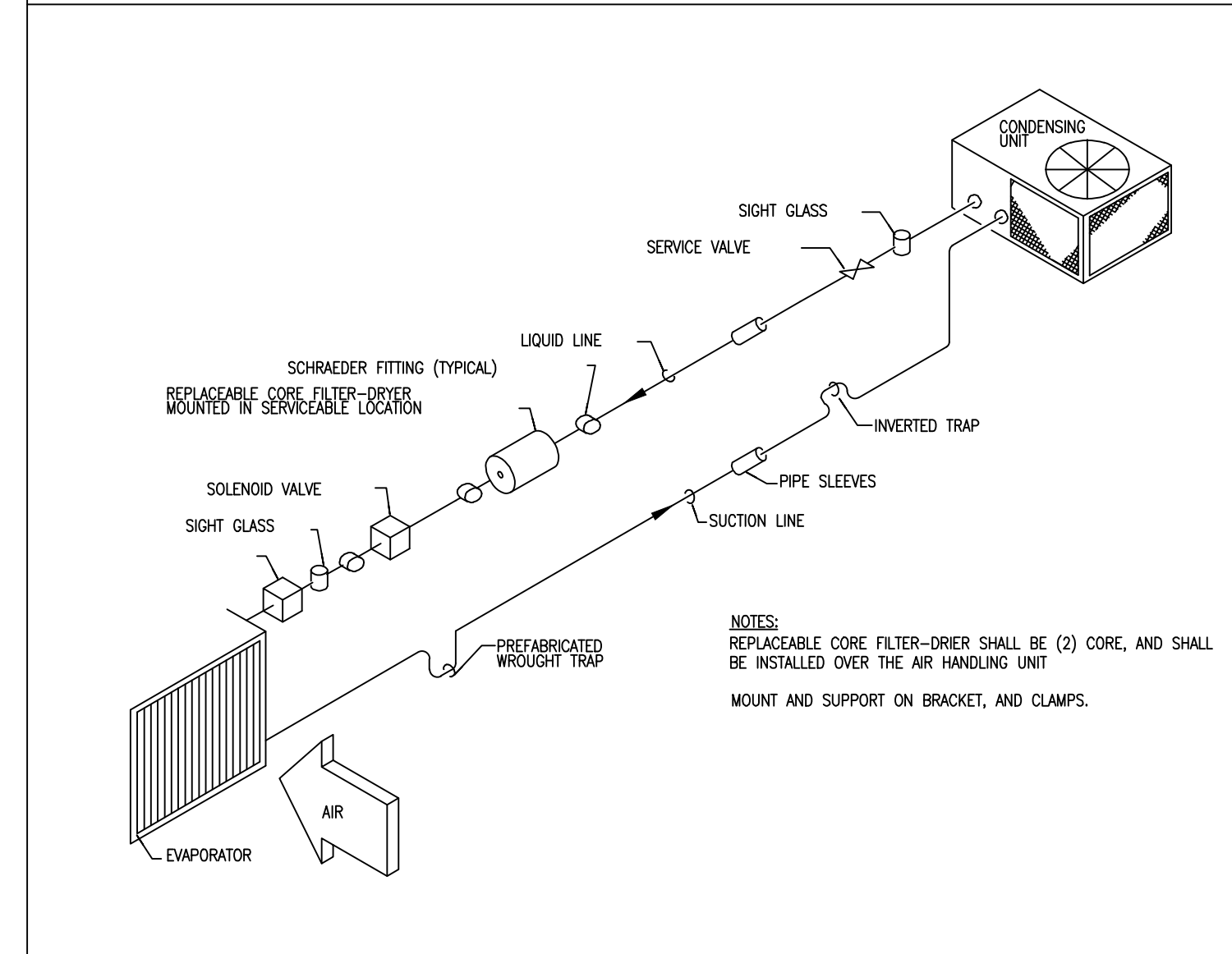
PIPE SUPPORT DETAIL



AC UNIT RACK DETAIL



REFRIG. PIPING DETAIL



Yates + Associates Architecture, Inc.
AA-26001673
ARCHITECTURE | PLANNING | INTERIOR DESIGN
1215 South Olive, suite 500 |
West Palm Beach, FL 33401 |
TEL: 561-653-8280 FAX: 561-653-8279 |
EMAIL: Kelly@Yates@bellsouth.net |

DATE: APRIL 14, 2011
JOB NO: 11-0412
DESIGN BY: K.D.Y.
DRAWN BY: D.C.M.
APPROVED: K.D.Y.
REVISIONS:

A NEW RESTAURANT FOR:
WELLY DELI
STREET ADDRESS
CITY
JURISDICTION

80%
REVIEW
SET
8-8-11

SEAL

KELLY D. YATES
FLORIDA AR 13706

SHEET NO.

M-2

OF 8 SHTS
Egr (18 j) v1 1422: Mgmt T 01 cgs/Ctg kgcy