

To:
Cindy

CORS - AIR LAKE PARK

February 9, 2010

PC v4.06.46

Security Network

BRAND: TITUS

DIFFUSERS

Model:

PAS-AA - Perforated supply
Actual Size

MODULE SIZE:

24X24

BORDER:

3 - LAY-IN

FINISH:

26 - WHITE

DAMPER MODEL:

0 - NONE

ACCESSORY 1:

NONE

ACCESSORY 2:

NONE

ACCESSORY 3:

NONE

| QTY | WIDTH | HEIGHT |
|-----|--------------|--------|
| 2 | 6" DIAMETER | NONE |
| 1 | 10" DIAMETER | NONE |
| 4 | 12" DIAMETER | NONE |
| 1 | 14" DIAMETER | NONE |


Proposal Total:

std Build
\$ 230* ←

10 day Build \$ 276.00

*Proposal Total includes freight and setup charges if applicable.

Warehouse \$ 240.00 + Fret

Thank you!
hois 

Quotation for Project: SECURITY NETWORK

CUSTOMER: BUILDING TECHNOLOGY SERVICES
1520 BUCKINHAM AVE
WELLINGTON FL 33414
Phone (561)712-1126
Fax (561)712-1407

Sales Office: CORS-AIR
1375 NORTH KILLIAN DR
LAKE PARK FL 33403-1939
Priced By: Edward King
Email: lois@cors-air.com
Phone: (561)844-9767
Fax: (561)844-9792

Design Criteria

Elevation: (ft) 0
Power: 60 Cycle

Destination Country: United States

*** Name and Location of end user is required for all Export...*

To:
Cindy

Fire dampers - Vertical?
Horizontal?

Thank you!
Lois ☺

1 day Build * 828.00
5 day Build * 780.00
10 day Build * 732.00

Standard Build ↓

TERMS

Order Terms: Standard Terms
Freight Terms: Prepaid
0.00

Total Net (\$) 681.00

Standard Terms & Conditions of Sale Apply.
Sales tax is the responsibility of the buyer, unless tax exempt certificate is provided.
Payment Terms are Net - 30 days, subject to credit approval.

SECURITY NETWORK

Mark: SP-B110

Model: SP-B110

Product Family: Fan

| Qty | Volume (CFM) | SP (in wg) | FRPM | V/C/P | Motor Size (hp) |
|-----|--------------|------------|------|----------|-----------------|
| 1 | 111 | 0.125 | 950 | 115/60/1 | 15/140 |

Ceiling Exhaust Fan

Tag SP-B110
TAGS

ACCESSORIES:
Designer Grille
Isolation Kit
Motor w/ Thermal Overloads
UL/cUL-507 - "Electric Fans"

Mark: DYNAMIC FIRE DAMPERS

Model: DFD-150X16

Product Family: Damper

Dynamic Rated Fire Damper

CONFIGURATION

| | | | | | |
|----------------------|--------------|-----------------------------------|-------|-----------------------|---------|
| Transition: | B | Closure Temp. (F): | 212 | Slv Thickness (ga): | 20 |
| Transition Location: | Both Sides | Velocity (ft/min): | 2,000 | Damper Location (in): | 8 |
| Mounting: | Horizontal | Selected Static Pressure (in wg): | 4 | Sizing: | Nominal |
| Closure Device: | Fusible Link | Sleeve Length (in): | 16 | | |

ACCESSORIES (\$ Included in Unit List):

Retaining Angle, 2-Side Loose, Min. size per UL

| ID # | Tag | Qty | Width (in) | Height (in) | Damp Loc. |
|-------|-----|-----|------------|-------------|-----------|
| 1-1 | | 1 | 24.000 | 20.000 | 8 |
| Tags: | | | | | |
| 1-2 | | 1 | 24.000 | 14.000 | 8 |
| Tags: | | | | | |
| 1-3 | | 1 | 22.000 | 18.000 | 8 |
| Tags: | | | | | |
| 1-4 | | 2 | 18.000 | 16.000 | 8 |
| Tags: | | | | | |

Mark: ROUND FIRE DAMPER

Model: DFD-150X16

Product Family: Damper

Dynamic Rated Fire Damper

CONFIGURATION

| | | | | | |
|----------------------|--------------|-----------------------------------|-------|-----------------------|---------|
| Transition: | CR | Closure Temp. (F): | 212 | Slv Thickness (ga): | 20 |
| Transition Location: | Both Sides | Velocity (ft/min): | 2,000 | Damper Location (in): | 8 |
| Mounting: | Horizontal | Selected Static Pressure (in wg): | 4 | Sizing: | Nominal |
| Closure Device: | Fusible Link | Sleeve Length (in): | 16 | | |

ACCESSORIES (\$ Included in Unit List):

Retaining Angle, 2-Side Loose, Min. size per UL

| ID # | Tag | Qty | Dia. | Damp Loc. |
|-------|-----|-----|--------|-----------|
| 1-1 | | 2 | 12.000 | 8 |
| Tags: | | | | |

Mark: ACCESS DOORS

Model: HAD-10

Product Family: Damper

SECURITY NETWORK

Ratings and General Construction

Material: Galvanized
Union label: No

Group: A

| Row ID | Tag | Qty | W (in) | H (in) |
|--------|-----|-----|--------|--------|
| 1-1 | | 5 | 12.000 | 12.000 |

Total Qty: 5

Mark: ROUND ACCESS DOORS

Model: RAD

Product Family: Damper

Ratings and General Construction

Material: Galvanized
Union label: No
Insulation: No

Group: A

| Row ID | Tag | Qty | Duct Dia. (in) |
|--------|-----|-----|----------------|
| 1-1 | | 2 | 12.000 |

Total Qty: 2

SP

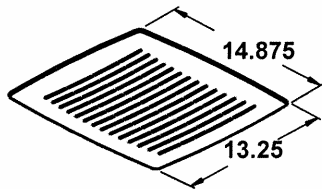
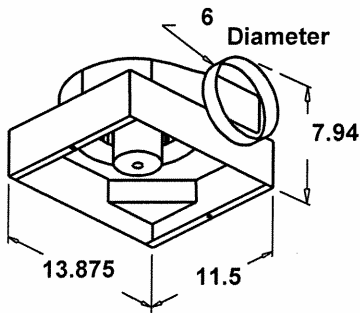
Ceiling Exhaust Fan

Tag SP-B110
STANDARD CONSTRUCTION FEATURES

- Corrosion resistant galvanized steel scroll and housing
- White designer non-yellowing grille
- Round outlet duct collar with integral backdraft damper
- Single inlet forward curved wheel
- Plug type disconnect
- Adjustable mounting...

SELECTED OPTIONS & ACCESSORIES

- Designer Grille
- Isolation Kit
- Motor w/ Thermal Overloads
- UL/cUL-507 - "Electric Fans"



NOTES: All dimensions shown are in units of inches
Fan weight is without accessories

DIMENSIONS

| |
|-------------------------|
| Approx. Fan Weight (lb) |
| 10 |

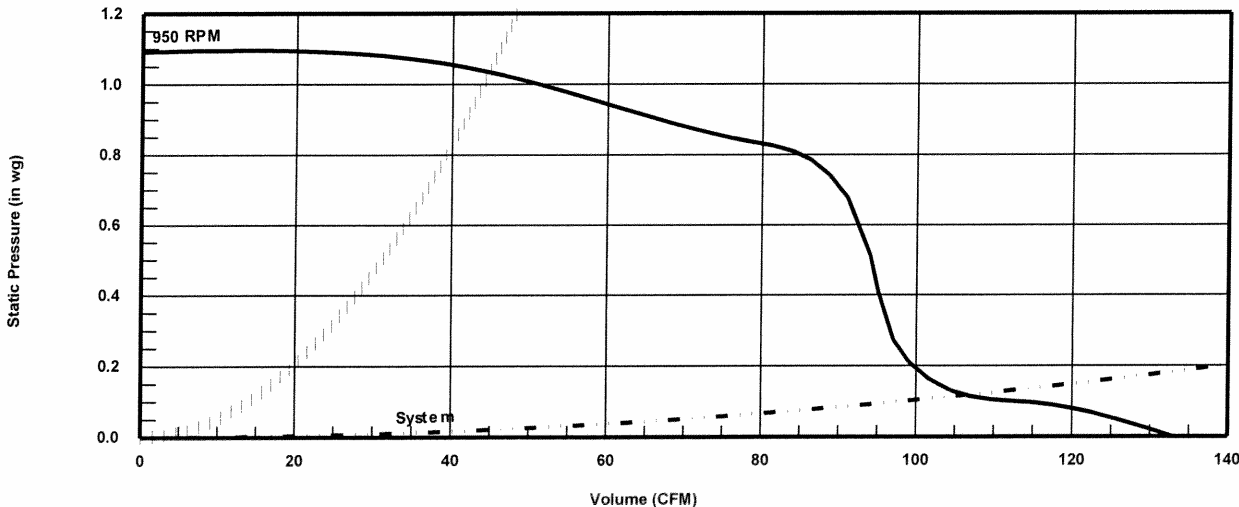
PERFORMANCE (Elevation ft = 0, Airstream Temperature F = 70)

| Qty | Model | Volume (CFM) | SP (in wg) | FRPM | Watts (W) | Amps (A) | Motor Information | | |
|-----|---------|--------------|------------|------|-----------|----------|-------------------|-------|--------|
| | | | | | | | V/C/P | Encl: | RPM |
| 1 | SP-B110 | 111 | 0.125 | 950 | 80 | 1.1 | 115/60/1 | ODP | 950 SP |

SOUND HVI Sones are at 0.1 inches of wg

| Inlet Sound Power by Octave Band | | | | | | | | Lwa | dBA | Sones | HVI Sones |
|----------------------------------|-----|-----|-----|------|------|------|------|-----|-----|-------|-----------|
| 62.5 | 125 | 250 | 500 | 1000 | 2000 | 4000 | 8000 | | | | |
| 55 | 60 | 50 | 49 | 44 | 37 | 28 | 26 | 50 | 39 | 2.2 | 1.5 |

LwA - A weighted sound power level, based on ANSI S1.4.
dBA - A weighted sound pressure level, based on 11.5 dB attenuation per octave band at 5.0 ft.
Sones calculated using AMCA 301 at 5.0 ft.
dBA levels are not licensed by AMCA International.



— RPM Curve
- - - System Curve
- - - Brake Power Curve
Do not select to the left of this surge curve

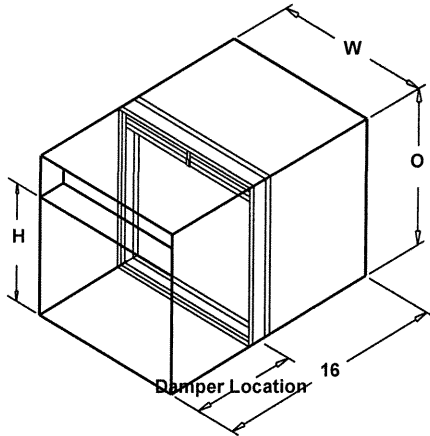
DFD-150X16

Dynamic Rated Fire Damper

Application & Design

This model is approved for use in walls, floors, and partitions with fire resistance ratings less than 3 hours. This model carries a 1 1/2 hour UL fire damper label. UL 555 classifies dynamic rated fire dampers for use in HVAC systems that are operational in the event of fire. This model damper requires no additional sleeves, but does require the use of angles, and installation methods described in Greenheck's Fire Damper Installation Instructions #453946, included with every damper shipment.

- Galvanized Curtain Style Blades.
- UL 555 1 1/2 Hour Fire Resistance Rating.
- C, CO, CR transitions are positioned 1 in. from bottom of sleeve.



Notes: All dimensions shown are in units of inches.
W & H furnished approximately 0.25 in undersized.
(sleeve thickness IS included)

Codes Approved

This model meets the requirements for fire dampers established by:
National Fire Protection Association
NFPA Standards 90A & 101
Underwriters Laboratories
UL Classified to U.S. and Canadian safety standards
Standard 555 (Listing #R13317)
IBC, BOCA, ICBO, SBCCI (Building Codes)
CSFM California State Fire Marshall
Listing (#3225-981:102 for use in walls)
New York City (MEA listing #260-91-M)

CONSTRUCTION FEATURES

Transition: B
Transition Location: Both Sides
Mounting: Horizontal
Closure Device: Fusible Link
Closure Temp. (F): 212
Sleeve Length (in): 16
Sleeve Thickness (ga): 20
Damper Location (in): 8
Frame Thickness (ga):
Axle Bearings:
Sizing: Nominal

Selected Accessories

Retaining Angle, 2-Side Loose, Min. size per UL

| ID # | Tag | Qty | W (in) | H (in) | Sections Wide | Sections High | O Dimension (in) |
|-------|-----|-----|--------|--------|---------------|---------------|------------------|
| 1-1 | | 1 | 24.000 | 20.000 | 1 | 1 | 23 |
| Tags: | | | | | | | |
| 1-2 | | 1 | 24.000 | 14.000 | 1 | 1 | 16 |
| Tags: | | | | | | | |
| 1-3 | | 1 | 22.000 | 18.000 | 1 | 1 | 21 |
| Tags: | | | | | | | |
| 1-4 | | 2 | 18.000 | 16.000 | 1 | 1 | 19 |
| Tags: | | | | | | | |

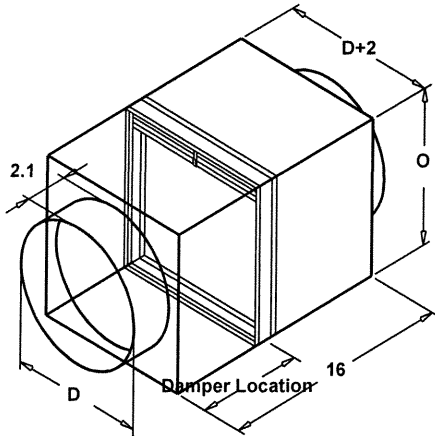
DFD-150X16

Dynamic Rated Fire Damper

Application & Design

This model is approved for use in walls, floors, and partitions with fire resistance ratings less than 3 hours. This model carries a 1 1/2 hour UL fire damper label. UL 555 classifies dynamic rated fire dampers for use in HVAC systems that are operational in the event of fire. This model damper requires no additional sleeves, but does require the use of angles, and installation methods described in Greenheck's Fire Damper Installation Instructions #453946, included with every damper shipment.

- Galvanized Curtain Style Blades.
- UL 555 1 1/2 Hour Fire Resistance Rating.
- C, CO, CR transitions are positioned 1 in. from bottom of sleeve.



Notes: All dimensions shown are in units of inches.
W & H furnished approximately 0.25 in undersized.
(sleeve thickness IS included)

CONSTRUCTION FEATURES

Transition: CR
Transition Location: Both Sides
Mounting: Horizontal
Closure Device: Fusible Link
Closure Temp. (F): 212
Sleeve Length (in): 16
Sleeve Thickness (ga): 20
Damper Location (in): 8
Frame Thickness (ga):
Axle Bearings:
Sizing: Nominal

Codes Approved

This model meets the requirements for fire dampers established by:
National Fire Protection Association
NFPA Standards 90A & 101
Underwriters Laboratories
UL Classified to U.S. and Canadian safety standards
Standard 555 (Listing #R13317)
IBC, BOCA, ICBO, SBCCI (Building Codes)
CSFM California State Fire Marshall
Listing (#3225-981:102 for use in walls)
New York City (MEA listing #260-91-M)

Selected Accessories

Retaining Angle, 2-Side Loose, Min. size per UL

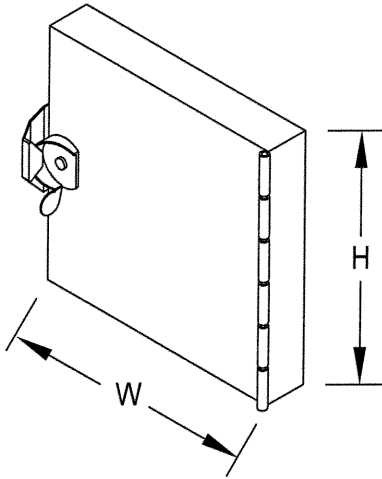
| ID # | Tag | Qty | Dia. (in) | Sections Wide | Sections High | O Dimension (in) |
|-------|-----|-----|-----------|---------------|---------------|------------------|
| 1-1 | | 2 | 12.000 | 1 | 1 | 15 |
| Tags: | | | | | | |

Model: HAD-10

Ratings and General Construction

Material: Galvanized
Union label: No

Group: A



Application & Design

Greenheck duct access doors provide a durable, practical and inexpensive means of gaining access to components inside the ductwork. Recommended for use in low to medium pressure duct systems. HAD-10 access doors are rated for up to 4.500 (in) static pressure when properly installed.

All dimensions shown are in units of (in).

| Row ID | Tag | Qty | W (in) | H (in) |
|--------|-----|-----|--------|--------|
| 1-1 | | 5 | 12.000 | 12.000 |

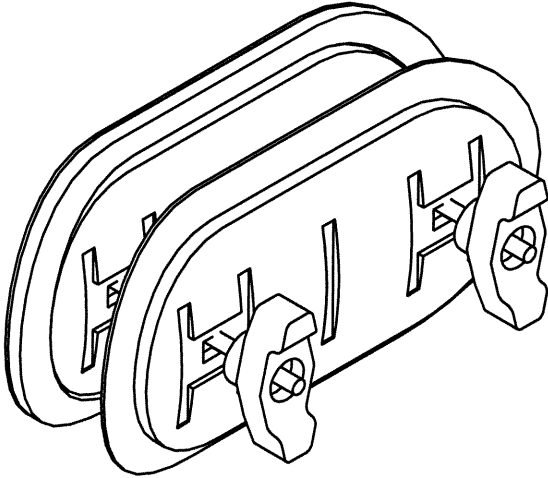
Total Qty: 5

Model: RAD

Ratings and General Construction

Material: Galvanized
Union label: No
Insulation: No

Group: A



Application & Design

Greenheck round duct access doors provide a durable, practical and inexpensive means of gaining access to components inside the ductwork. Round Duct access doors provide a solid leakage proof door that is simple to install. This access door has been tested in 20 (in wg) (5 kPa) and negative 10 (in wg) (-2.5 kPa) with no leakage noted. Round duct access doors are available insulated or non-insulated.

| Duct Size Diameter | Hole Size | Door Size |
|---------------------------|---------------------------|---------------------------|
| 5.000 (in) - 9.000 (in) | 7.000 (in) x 3.000 (in) | 8.000 (in) x 4.000 (in) |
| 10.000 (in) - 20.000 (in) | 11.000 (in) x 7.000 (in) | 12.000 (in) x 8.000 (in) |
| 21.000 (in) - 36.000 (in) | 15.000 (in) x 11.000 (in) | 16.000 (in) x 12.000 (in) |

All dimensions shown are in units of (in).

| Row ID | Tag | Qty | Duct Dia. (in) |
|--------|-----|-----|----------------|
| 1-1 | | 2 | 12.000 |

Total Qty: 2