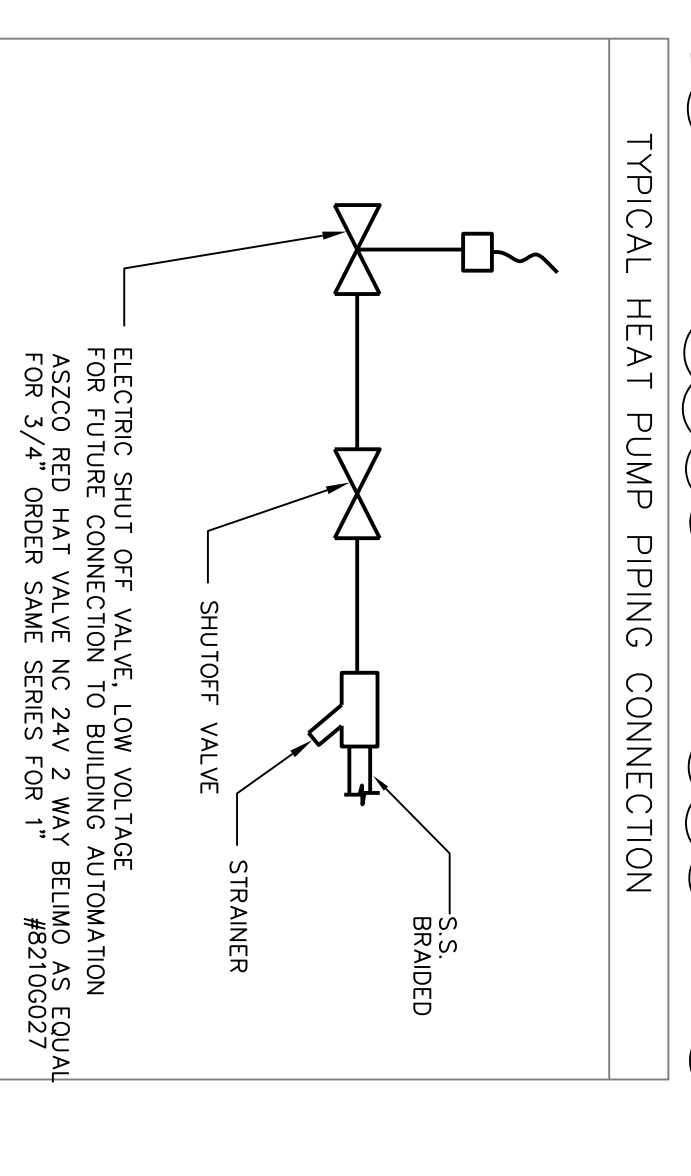


EXISTING PVC CONDENSATE PIPING IN THIS SPACE TO BE REMOVED AND REPLACED WITH 3/4\"/>

- DRAWING NOTES**
- 3/4\"/>
  - RELOCATE HEAT PUMP TO APOD WALL
  - COORDINATE FINAL LOCATION OF GRILLE WITH CEILING TILE



**SEQUENCE OF OPERATION**

- HP-3 TO SHUT OFF UPON ACTIVATION OF SHOCK FUSE
- FA-3 DAMPER D-2 IS TO CLOSE AND DAMPER D-1 TO OPEN DIRECTING AIR DOWN TO GRILLE IN CEILING PRESSURIZING SPACE

**HEAT PUMP NORMAL OPERATION**

- DAMPER D-2 IS TO OPEN WHEN THE UNIT IS RUNNING PROVIDING FRESH AIR WHEN UNIT IS NOT RUNNING IT IS TO CLOSE

**LEGEND**

**H.V.A.C. LEGEND**

EXISTING	=====
NEW	=====
NEW FLEX TO MATCH EXISTING WITH SPN IN COLLARS/W.V.D.	=====
NEW OR RELOCATED DIFFUSER	=====
NEW OR RELOCATED RETURN AIR GRILLE	=====
DIFFUSER TO BE RELOCATED/REMOVED	=====
RETURN TO BE REMOVED/RELOCATED	=====
EXISTING RETURN AIR GRILLE	=====
EXISTING DIFFUSER	=====
SPN IN COLLAR W.V.V.D.	=====
SMOKE DETECTOR	=====
PNEUMATIC DAMPER	=====
24V MOTORIZED DAMPER	=====
THERMOSTAT	=====
TEST SWITCH	=====
FIRE DAMPER	=====
RETURN AIR GRILLE	=====
EXHAUST FAN	=====
LINEAR DIFFUSER	=====
REMOVE	=====
RELOCATE	=====
RAFD (EXIST)	=====
RAFD (NEW)	=====
EXISTING	=====
NEW	=====
COLD WATER RETURN	=====
COOL WATER SUPPLY	=====

NOTE: FIRESTOP- EXISTING DEVIZING WALL AS NEEDED.

NO.	REVISIONS	DATE
	COORDINATION	2/12/11

**WESTON CAPITAL**  
**ESPERANTE CORPORATE CENTER - SUITE 1550**  
**222 LAKESVIEW AVE. - WEST PALM BEACH, FL.**

Drawing Title  
**MECHANICAL PLAN**

**YOSHINO TRIESCHMANN DESIGN GROUP**

6RCenter  
 6468 East Rogers Circle  
 Boca Raton, FL 33487

AA26001530 AA26001529

F: 5619818916 W: www.yoshinoarchitects.com

Drawn: KS  
 Seal: Donald T. Yoshino, T.A.I.A.  
 Florida License No. AR 11820

**LUCKS ENGINEERING INC.**  
 CONSULTING ENGINEERS  
 5 E. FLORIDA AVE., SUITE 200  
 WEST PALM BEACH, FL 33411  
 TEL: 561-833-8881 FAX: 561-833-8882

Project No: 0237218  
 CAD File No: 1133  
 Date: 1/21/11

YOSHINO TRIESCHMANN DESIGN GROUP 2011

M1 MECHANICAL PLAN  
 1/4" = 1'-0"