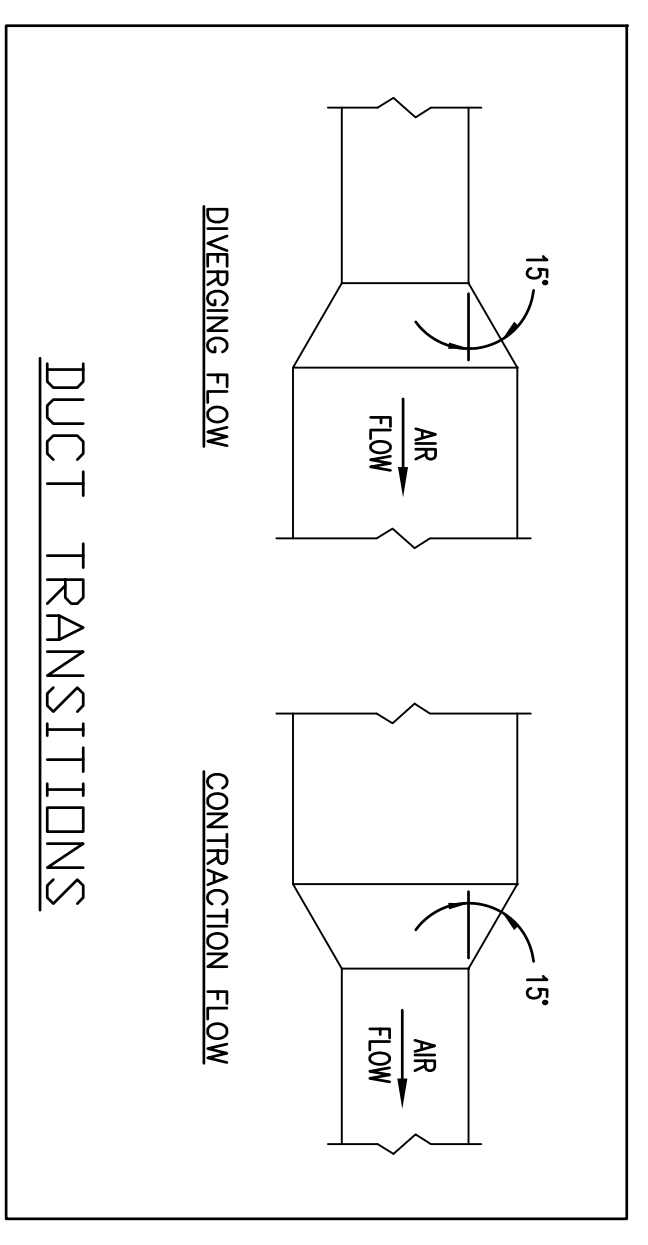
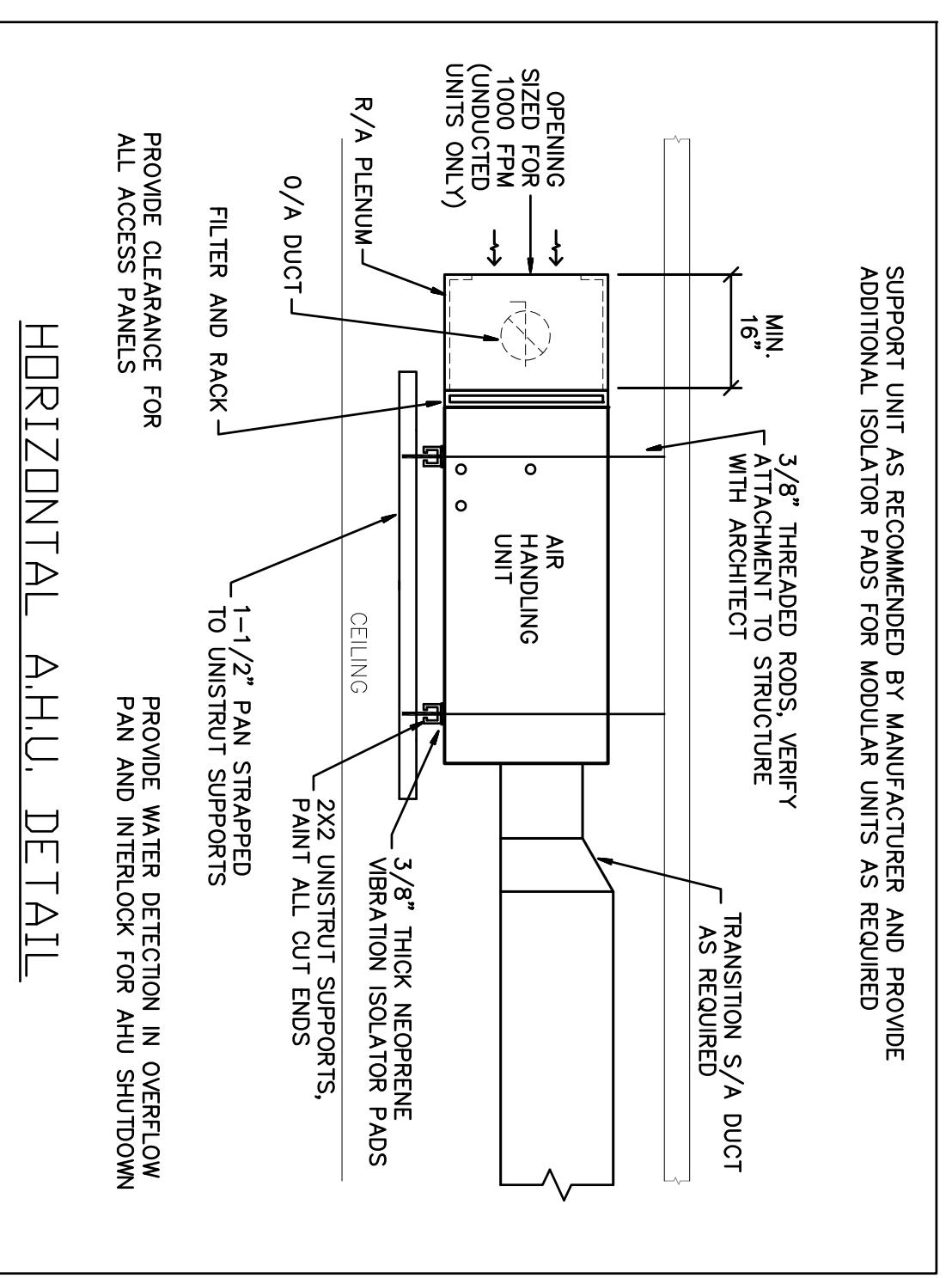
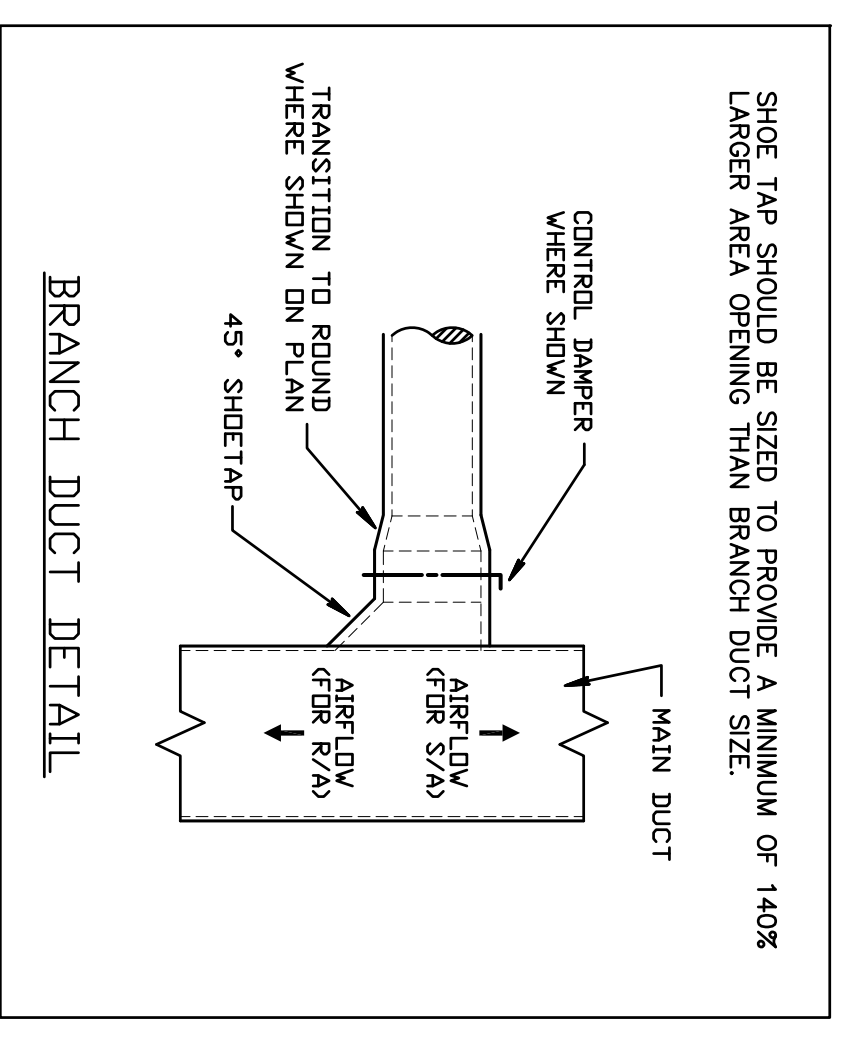
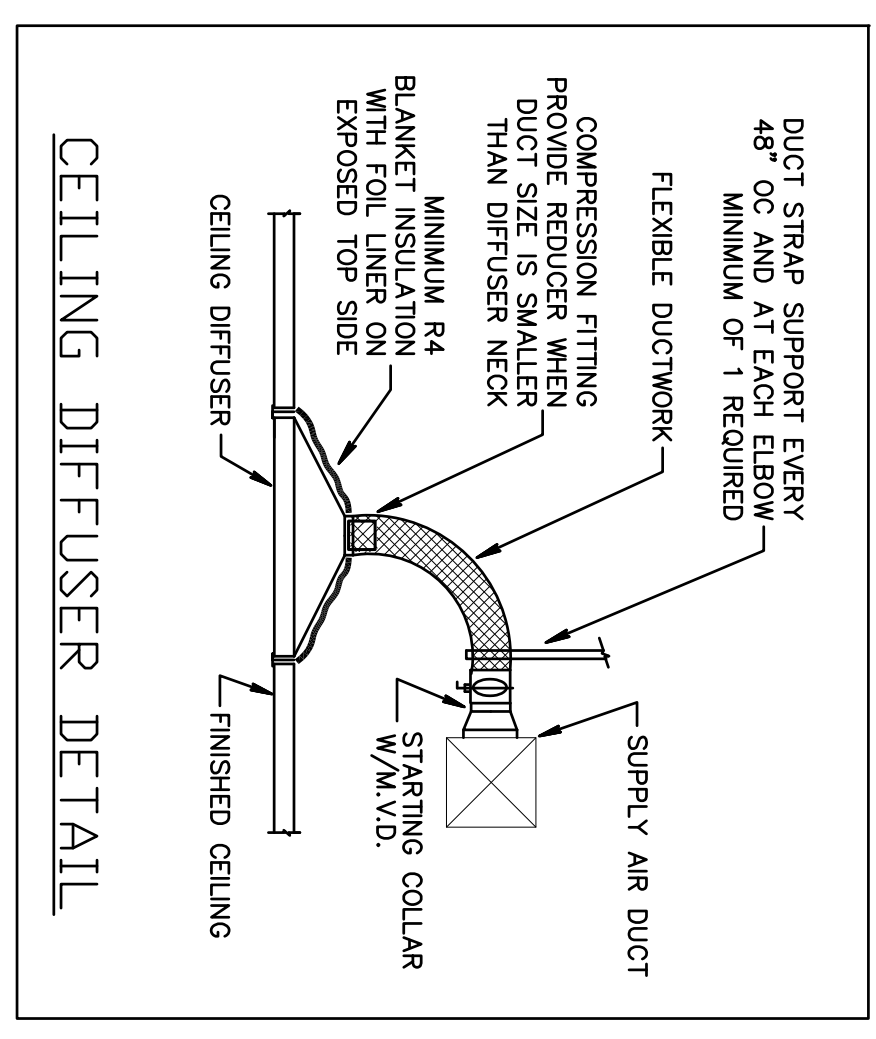


OUTSIDE AIR VENTILATION CALCULATIONS

MARK	AREA TYPE	RECEPTION	BREAK	OFFICE	MEETING	RECEPTION	BREAK	OFFICE	MEETING	RECEPTION	BREAK	OFFICE	MEETING	RECEPTION	BREAK	OFFICE	
	SQUARE FEET OF AREA	330	42	450	230	180	236	78	580	810	580	180	184	66	570	64	570
	CFM/SQ.FT. REQUIRED	0.06	0.06	0.06	0.06	0.06	0.06	0.06	0.06	0.06	0.06	0.06	0.06	0.06	0.06	0.06	0.06
	TOTAL OCCUPANTS	4	1	3	11	3	9	2	3	5	4	9	2	3	10	3	3
	CFM/PERSON REQUIRED	5	5	5	5	5	5	5	5	5	5	5	5	5	5	5	5
	AREA CFM REQUIRED	40	8	42	69	39	56	29	15	49	74	54	56	21	14	49	49
	TOTAL ZONE REQUIREMENT - You	90	108	108	108	108	149	74	54	54	54	140	152	60	60	14	63
	HIGHEST ZONE - Zp	0.22	0.11	0.14	0.20	0.12	0.28	0.15	0.20	0.11	0.04	0.04	0.25	0.17	0.20	0.11	0.11
	EFFICIENCY - Ev	0.33	0.33	0.33	0.33	0.33	0.33	0.33	0.33	0.33	0.33	0.33	0.33	0.33	0.33	0.33	0.33
	TOTAL SYSTEM REQUIREMENT	97	114	114	114	114	171	87	74	74	74	156	162	66	66	162	66

ABOVE PER ASHRAE 62.1, 2007
RECEPTION AREAS OCCUPANCY AVERAGED PER 62.1.6.2.6.2.



SPLIT AC SYSTEM SCHEDULE

SYSTEM	CONDENSING UNIT	AIR HANDLING UNIT
MODEL #	24ABR30C	24ABR30C
MINIMAL TONS (TOTAL)	1.5	3.0
COMPRESSOR R.L.A.	9.0	16.7
FAN MOTOR F.L.A.	0.5	1.1
POWER - VOLTS/PHASE	208/1/60	208/1/60
KVA / KDCP	11.7 / 20	21.9 / 35
OPERATING WEIGHT (lbs)	128	167
DIMENSIONS (LxWxH)	26x26x32	31x31x39
MANUFACTURER	CARRIER	CARRIER
TOTAL SENSIBLE MBH	12.6	24.2
TOTAL COOLING MBH	17.7	33.9
RATING DB / V.B. °F	80/67	80/67
SEER (EER)	13.0	13.0

- GENERAL NOTES:**
- PROVIDE 5 MINUTE ANTI-SHORT CYCLE RELAY
 - PROVIDE A/C UNIT MANUFACTURER'S PROGRAMMABLE THERMOSTAT
 - SIZE AND RUN REFRIGERANT PIPING PER MANUFACTURER'S PUBLISHED RECOMMENDATIONS.
 - PROVIDE VIBRATION ISOLATORS PER MANUFACTURER'S RECOMMENDATIONS.
 - INSULATE REFRIGERANT SUCTION LINE WITH 1" FIRE RETARDANT ARMAFLEX
 - INSTALL CHEMICAL DRYER AND STRAINER IN REFRIGERANT LIQUID LINES.
 - PROVIDE LIQUID SIGHT GLASS AND EXPANSION VALVES.
 - PROVIDE MANUFACTURER'S STANDARD FILTER RACK UPSTREAM OF AHU
 - RETURN AIR OPENING.
 - HEATER CAPACITORS SHOWN AT 208 VOLT OPERATING VOLTAGE.
- KEYNOTES:**
- SYSTEM SHOWN IS FOR ADD ALTERNATE BID PRICE ONLY. (REPLACEMENT OF EXISTING SYSTEM)
 - SYSTEM WOULD BE OMITTED AS PART OF A DEDUCT ALTERNATE BID PRICE, INCLUDED IN BASE BID.
 - SYSTEM TO BE INCLUDED IN BASE BID.

AIR DISTRIBUTION SCHEDULE

MARK	MAKE	MODEL	SIZE	MODULE	NECK	MATERIAL	BORDER TYPE	MOUNTING TYPE	DAMPER	THROW
A	TTUS	TDC-AA	24X24	9X9	6"ø	ALUMINUM	3	LAY-IN	D-100	4 WAY
B	TTUS	TDC-AA	24X24	12X12	8"ø	ALUMINUM	3	LAY-IN	D-100	4 WAY
C	TTUS	TDC-AA	24X24	15X15	10"ø	ALUMINUM	3	LAY-IN	D-100	4 WAY
D	TTUS	Z7ZFL	8X6	-	-	ALUMINUM	1	SURFACE	D-100	4 WAY
R1	TTUS	3FL	24X24	-	22X22	ALUMINUM	3	LAY-IN	-	-
R2	TTUS	3FL	-	-	12X12	ALUMINUM	1	SURFACE	-	-

PROVIDE OFF-WHITE FINISH, AND SUBMITTAL TO ARCHITECT FOR APPROVAL. PROVIDE ROUND FLEXIBLE DUCT RUN-OUT SIZED TO MATCH S/A DIFFUSER NECK UNLESS NOTED OTHERWISE. PROVIDE ROUND FLEXIBLE DUCT RUN-OUT SIZED TO MATCH S/A DIFFUSER NECK UNLESS NOTED OTHERWISE. PROVIDE DAMPERS ONLY WHERE DUCT TAKE-OFF DAMPER IS NOT ACCESSIBLE.

Gilman & Associates, Inc.
MECHANICAL & ELECTRICAL ENGINEERS
587 NORTH LAKESIDE DRIVE
Lake Worth, FL 33460 C.A.#009078
(561) 582-0210 Fax (561) 582-8212
RONALD D. GILMAN P.E. #37933

birse design inc.

5300 woodland lakes drive
palm beach gardens, fl 33418

phone 561-249-4001
fax 772-409-8684
AA26001615

2ND FLOOR SPEC SUITES

GRAND BANK CENTER
3601 PGA BLVD
PALM BEACH GARDENS, FL

PROJECT NUMBER GBC08

REVISIONS

1 _____

2 _____

3 _____

4 _____

5 _____

DRAWN BY GDR

CD

12/17/12

