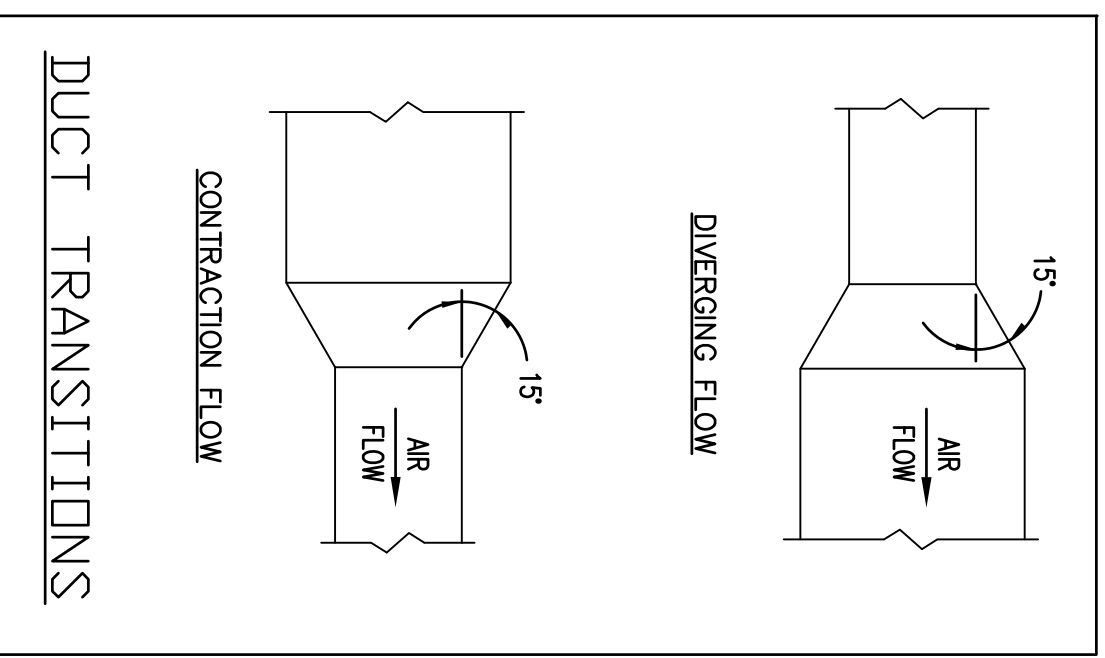


MECHANICAL GENERAL NOTES:

1. THESE DRAWINGS ARE DIAGRAMATIC. ALL OFFSETS, FITTINGS, TRANSITIONS AND CONNECTIONS SHALL BE SHOWN IN GENERAL. THE CONTRACTOR SHALL PROVIDE ALL ITEMS REQUIRED TO PROVIDE COMPLETE AND OPERATIONAL SYSTEM. DO NOT SCALE DRAWINGS FOR INSTALLATION.
2. ALL WORK SHALL BE PERFORMED IN A FIRST CLASS WORKMANLIKE MANNER BY LICENSED CONTRACTORS.
3. THE CONTRACTOR SHALL OBTAIN AT HIS EXPENSE ALL NECESSARY FEES, PERMITS, AND TESTS.
4. ALL WORK SHALL CONFORM TO ALL APPLICABLE LOCAL, STATE AND NATIONAL CODES. NO CONTRACTOR SHALL BID UNLESS FAMILIAR WITH THESE CODES.
5. CORRECTION OF DEFECTS TO THIS WORK SHALL BE MADE PROMPTLY WITHOUT DELAY. THE CONTRACTOR SHALL BE RESPONSIBLE FOR THE COST OF CORRECTING THIS CONTRACTOR SHALL BE MADE PROMPTLY WITHOUT CHARGE TO THE OWNER.
6. ALL WORK OF THIS TRADE SHALL BE COORDINATED WITH ALL OTHER TRADES TO AVOID ANY INTERFERENCES THAT MAY DELAY PROGRESS OF CONSTRUCTION.
7. THE CONTRACTOR SHALL INCLUDE THE WORK OF ALL REQUIRED SUB-CONTRACTORS, SUCH AS ELECTRICAL, INSULATING, TEST & BALANCE, ETC., AS REQUIRED FOR A COMPLETE AND OPERATIONAL SYSTEM.
8. EQUIPMENT SHALL BEAR A U.L. OR OTHER RECOGNIZED LABEL. NAMEPLATES, WIRING DIAGRAMS, AND ENERGY RATINGS AS APPLICABLE.
9. THE CONTRACTOR SHALL INSTALL ALL EQUIPMENT AND ACCESSORIES TO BE READY ACCESSIBLE FOR SERVICING, TESTING, BALANCING, AND REPLACEMENT.
10. THE CONTRACTOR SHALL PROVIDE A WRITTEN GUARANTEE AGAINST DEFECTS FOR ALL WORK PERFORMED UNDER THIS CONTRACT FOR A PERIOD OF FOUR (4) YEARS OF WARRANTY ON COMPRESSORS.
11. THE CONTRACTOR SHALL PROVIDE THREE COPIES OF SUBMITTAL DATA, SHOP DRAWINGS, AND AT COMPLETION OF THE PROJECT TWO SETS OF OPERATION AND MAINTENANCE MANUALS FOR ALL PROJECT ITEMS.
12. PROVIDE ALL CONTROLS, STARTERS, CONTROL WIRING, DISCONNECTS, AND OTHER ELECTRICAL EQUIPMENT AS REQUIRED FOR A COMPLETE AND OPERATIONAL SYSTEM.
13. THE HVAC CONTRACTOR IS RESPONSIBLE FOR MAINTAINING, ON SITE, A DETAILED AS-BUILT PLAN SHOWING ACTUAL INSTALLATIONS. THE CONTRACTOR IS TO PROVIDE A NEATLY DRAWN COMPREHENSIVE AS-BUILT SET OF PLANS FOR THE CONTRACTOR'S RECORD AND ONE SUBMITTABLE FOR SUBMISSION TO THE BUILDING DEPARTMENT AND TO THE OWNER.
14. PRIOR TO ACCEPTANCE BY THE OWNER THE SYSTEMS SHALL BE TESTED AND BALANCED BY THE CONTRACTOR. PROVIDE A WRITTEN REPORT.
15. SUPPLY AND INSTALL DUCT MOUNTED SMOKE DETECTORS AS REQUIRED.
16. COORDINATE LOCATION OF CEILING DIFFUSERS, GRILLES AND REGISTERS IN THE FIELD WITH LIGHTS AND ARCHITECTURAL ELEMENTS.
17. ALL GRILLES TO BE TITUS OR METALLARE UNLESS OTHERWISE NOTED. SIZES AS SHOWN ON PLANS. ALUMINUM CONSTRUCTION.
18. ALL DUCT WORK SHALL BE BUILT AND INSTALLED IN ACCORDANCE WITH SMOCKA STANDARDS AND LOCAL BUILDING CODES.
19. ALL DUCT SIZES ARE CLEAR INSIDE DIMENSIONS.
20. ALL OUTSIDE AIR DUCTWORK SHALL BE SHEETMETAL WITH EXTERIOR R-6 INSULATION. PROVIDE BARRIER TYPE INSULATION IN CONCEALED SPACES, AND BOARD TYPE IN EXPOSED AREAS.
21. ALL EXHAUST AIR DUCT SHALL BE GALVANIZED SHEET METAL CONSTRUCTED AND INSTALLED IN ACCORDANCE WITH ASHRAE AND SMOCKA STANDARDS.
22. FLEXIBLE DUCT, WHERE SHOWN, SHALL BE U.L. CLASS 1, R-6 INSULATION.
23. LOW PRESSURE SUPPLY AND RETURN RECTANGULAR DUCTWORK IS RIGID DUCTBOARD, 1 IN. THICK, R-4.2 INSULATION.
24. PROVIDE ELBOW TURNING VANES IN ALL RECTANGULAR DUCTS WHERE TURNS ARE GREATER THAN 45 DEGREES.
25. PROVIDE BACKDRAFT DAMPERS FOR ALL EXHAUST FANS.
26. VERIFY ALL THERMOSTAT LOCATIONS WITH THE LANDLORD.
27. CONDENSATE DRAIN PIPING SHALL BE ABOVE GRADE COPPER PIPING, WASTE AND VENT FITINGS. INSULATE ALL CONDENSATE PIPING W/3/4" MKCOA MICROLOCK PIPE INSULATION.

GENERAL DEMOLITION NOTES

1. UNLESS OTHERWISE NOTED, ALL EQUIPMENT AND DUCTWORK IN THE PROJECT AREA WHICH IS NOT INDICATED TO REMAIN, IS TO BE REMOVED. THE CONTRACTOR SHALL INVESTIGATE THE PROJECT AREA PRIOR TO BID TO DETERMINE ALL REQUIRED DEMOLITION.
2. EXISTING CONDITIONS SHOWN ON THIS DRAWING ARE TAKEN FROM ORIGINAL DRAWINGS AND FIELD INVESTIGATION. ALL EXISTING CONDITIONS MUST BE VERIFIED PRIOR TO BID. FIELD CONDITIONS SHALL GOVERN.
3. DEMOLITION WORK IS NOT SPECIFICALLY IDENTIFIED ON THESE PLANS, AND MAY BE DESCRIBED ON THE ARCHITECT'S PLANS. THE CONTRACTOR IS RESPONSIBLE FOR ALL REQUIRED DEMOLITION WHETHER SHOWN ON THE PLANS OR NOT.
4. ALL MECHANICAL SYSTEMS SERVING OTHER SPACES OR FLOORS, THAT RUN THROUGH THE PROJECT AREA SHALL REMAIN ACTIVE DURING CONSTRUCTION, SO AS NOT TO CAUSE ANY DISRUPTION TO THESE OTHER SPACES.
5. ALL ITEMS REMOVED UNDER THIS PROJECT SHALL BE DISPOSED OF OR TURNED OVER TO THE OWNER AT THE OWNER'S DISCRETION.
6. PROPERLY REMOVE AND DISPOSE OF ALL HVAC DUCTWORK AND AIR DISTRIBUTION DEVICES WHICH ARE TO BE REMOVED. CONSULT WITH OWNER AND OBTAIN THE OWNER'S APPROVAL PRIOR TO DISPOSAL OF REMOVED MATERIAL.
7. IT IS THE CONTRACTOR'S RESPONSIBILITY TO ENSURE THAT ALL PIPING AND DUCTS, NEW OR EXISTING, WITHIN THE PROJECT AREA, ARE PROPERLY SUPPORTED.
8. ALL OCCUPIED SPACES ARE TO REMAIN OPERATIONAL DURING BUSINESS HOURS THROUGHOUT THE DEMOLITION AND CONSTRUCTION PERIOD. COORDINATE ALL WORK AS DESCRIBED IN THE ARCHITECT'S DOCUMENTS.



AIR DISTRIBUTION SCHEDULE

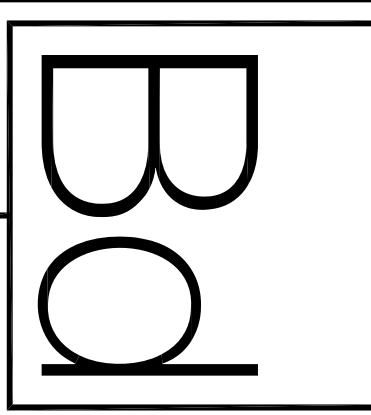
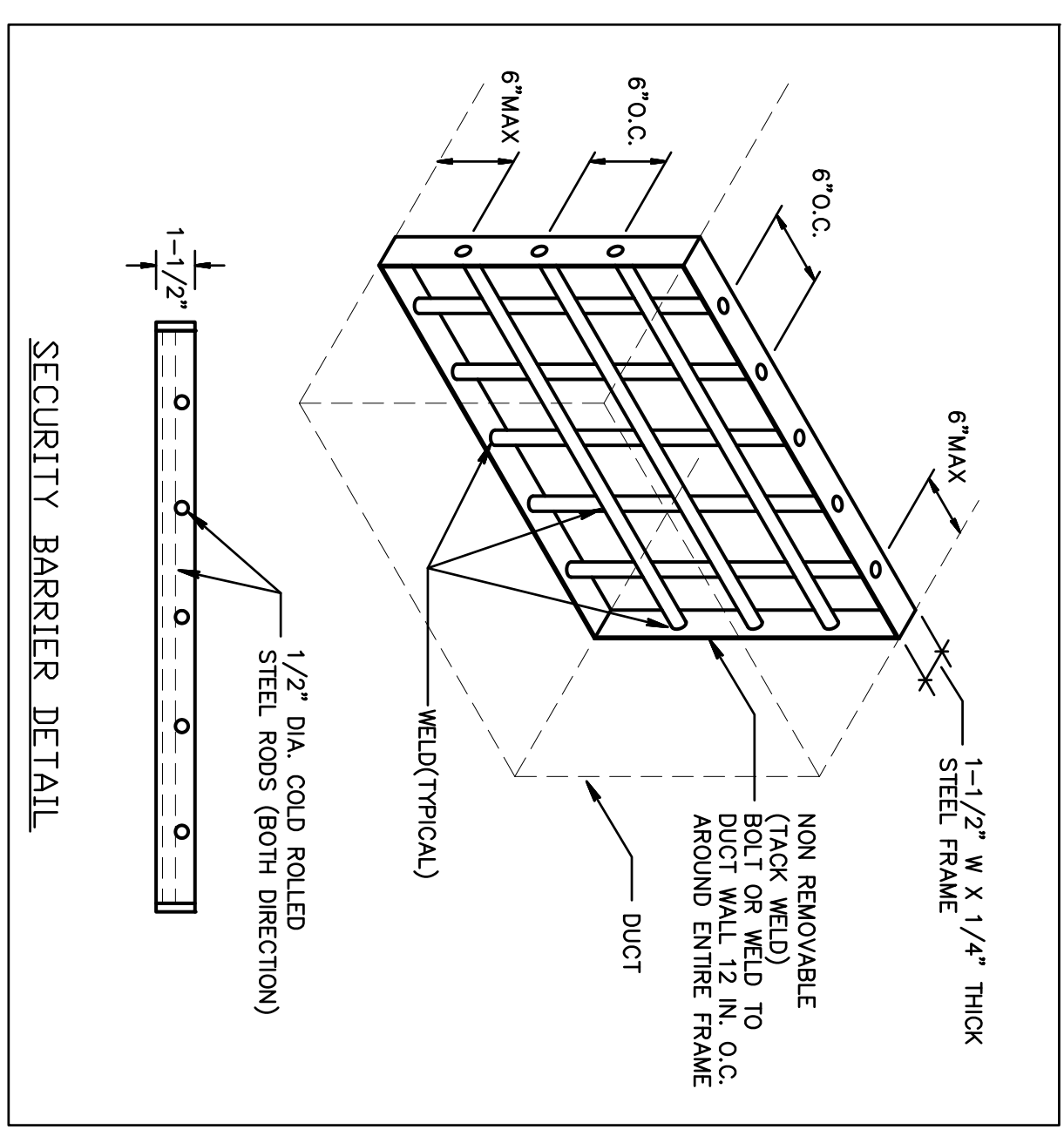
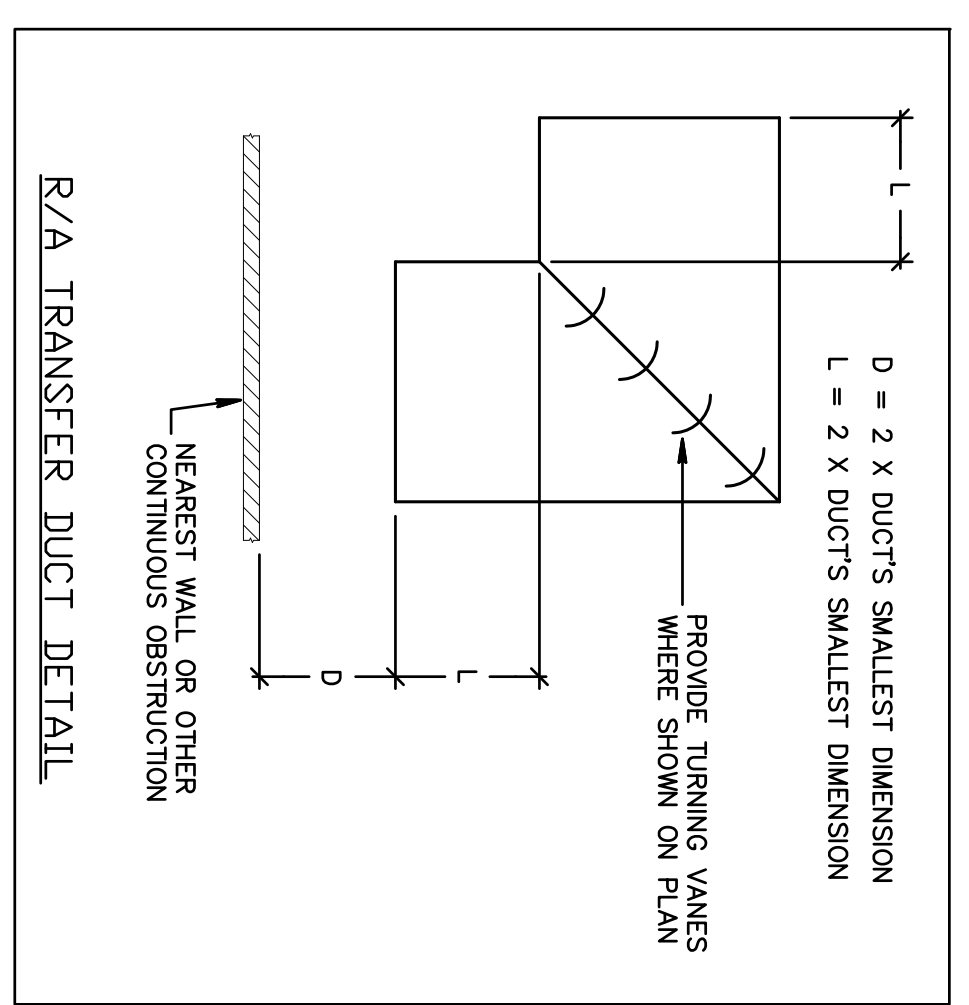
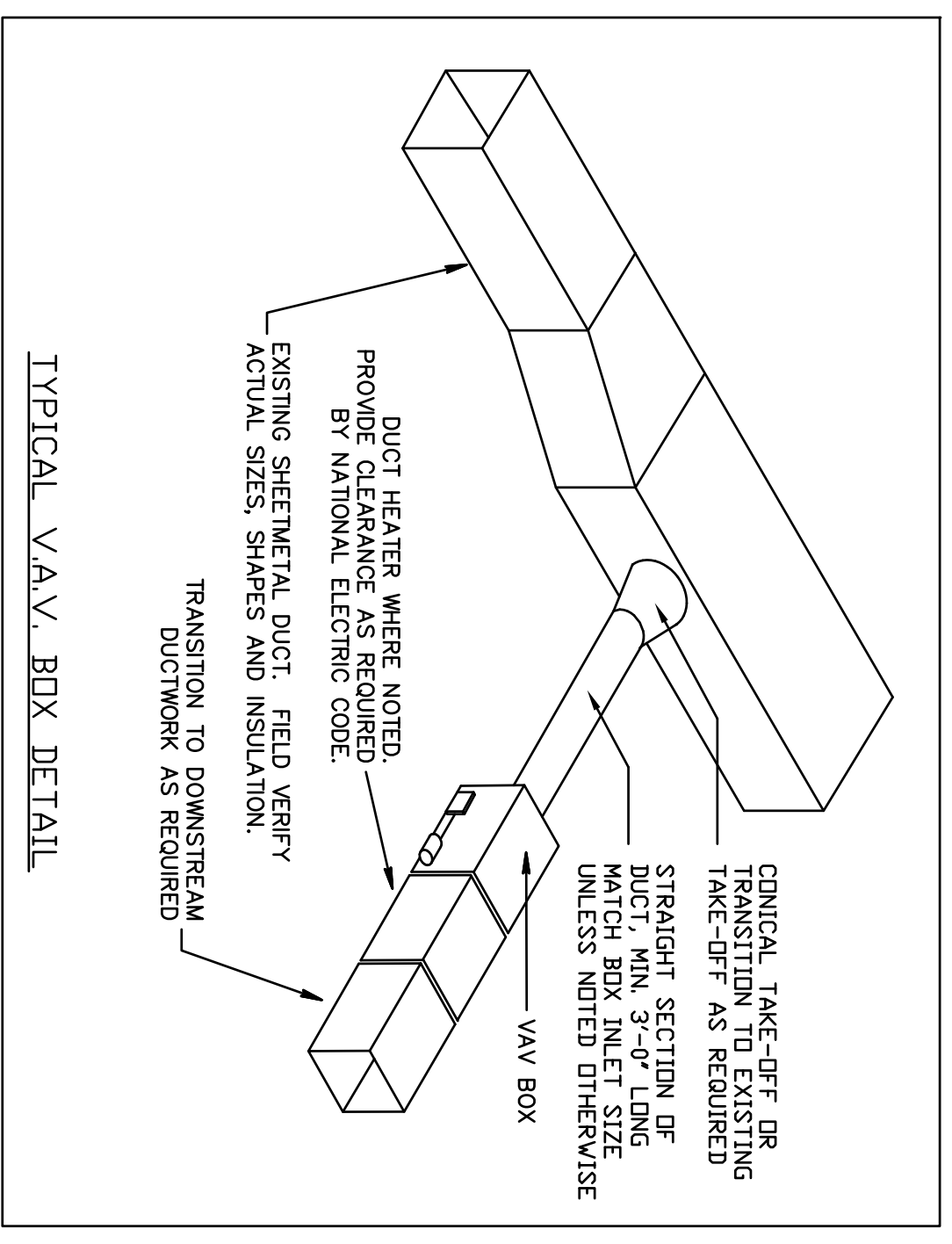
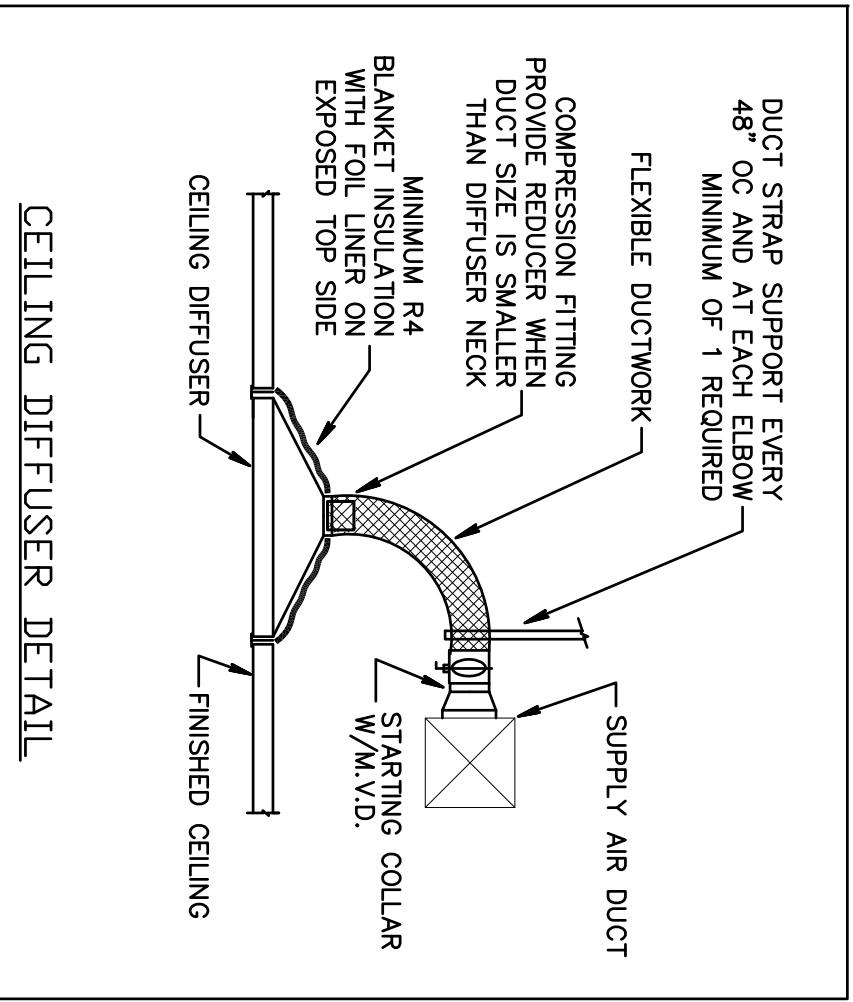
MARK	MAKE	MODEL NO.	SIZE	NECK	MATERIAL	BORDER TYPE	WOUNDING TYPE	DAMPER	THROW
A	TITUS	PAS-AA	24X24	6"	ALUMINUM	3	LAV-IN	AG-100	4 WAY
A1	TITUS	PAS-AA	24X24	6"	ALUMINUM	1	SURFACE	AG-100	1 WAY
B	TITUS	PAS-AA	24X24	8"	ALUMINUM	3	LAV-IN	AG-100	4 WAY
C	TITUS	PAS-AA	24X24	10"	ALUMINUM	3	LAV-IN	AG-100	4 WAY
RA	TITUS	PAR-AA	24X24	22X22	ALUMINUM	3	LAV-IN	-	-

PROVIDE OFF-WHITE FINISH AND SUBMITTALS TO ARCHITECT FOR APPROVAL.
PROVIDE ROUND FLEXIBLE DUCT RUN-OUT SIZED TO MATCH S/A DIFFUSERS NECK UNLESS NOTED OTHERWISE.
PROVIDE PLENUM BOX ABOVE SUPPLY AND RETURN AIR GRILLES AS REQUIRED FOR DUCT CONNECTIONS.
PROVIDE DAMPERS ONLY WHERE DAMPER IS NOT ACCESSIBLE AT DUCT TAKE-OFF ABOVE CEILING.

VAV SCHEDULE

MARK	MANUF.	MODEL NO.	INLET SIZE	GFM MAX	GFM MIN	KW	HEAT STEP	VOLT-PH-HZ	REMARKS
V1	CARRIER	35E	8"	500	200	2.0	1	277-1-60	NOTES 1 THRU 6
V2	CARRIER	35E	10"	1200	400	4.0	1	277-1-60	NOTES 1 THRU 6
V3	CARRIER	35E	8"	600	250	-	-	277-1-60	NOTES 1 THRU 5

1. PROVIDE ROOM TEMPERATURE SENSOR WITH EXTERNAL SET POINT ADJUSTMENT.
 2. PROVIDE FACTORY MOUNTED DDC CONTROLLER AND CONTROL POWER TRANSFORMER AS REQUIRED.
 3. WITH DUCT CONFIGURATION AS REQUIRED, COORDINATED BY CONTRACTOR.
 4. IF NOT OTHERWISE INDICATED, INLET DUCT SIZE IS TO MATCH BOX INLET.
 5. WITH OPTIONAL 1/2" THICK FOIL FACED INSULATION.
 6. FACTORY HEATER WITH COMPLETE CONTROLS, MERCURY CONTACTORS, INTERLOCKING DOOR SWITCH, U.L. LISTED AND LABELED.
- SEE HVAC CONTROLS NOTE FOR ADDITIONAL INFORMATION



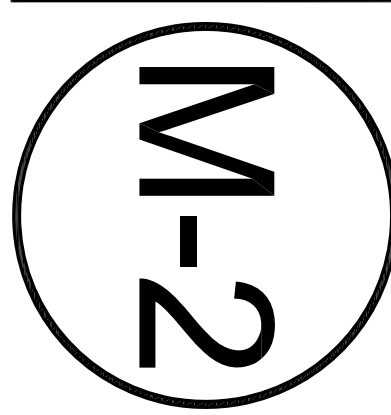
birse design inc.
5300 woodland lakes drive
palm beach gardens, fl 33418
phone 561-249-4001
fax 772-409-8684
AA26001615

COURT CASUAL
FOUNTAIN SQUARE
2600 N MILITARY TRAIL #205
BOCA RATON, FL
PROJECT NUMBER 260015

REVISIONS

1		
2		
3		
4		
5		

DRAWN BY DR
CD
2-4-13



Gilman & Associates, Inc.
MECHANICAL & ELECTRICAL ENGINEERS
507 NORTH LAKESIDE DRIVE
Lake Worth, FL 33460 CA.*090978
(561) 582-0210 Fax (561) 582-8212
RONALD D. GILMAN P.E. *37933

PROJECT # 13-001