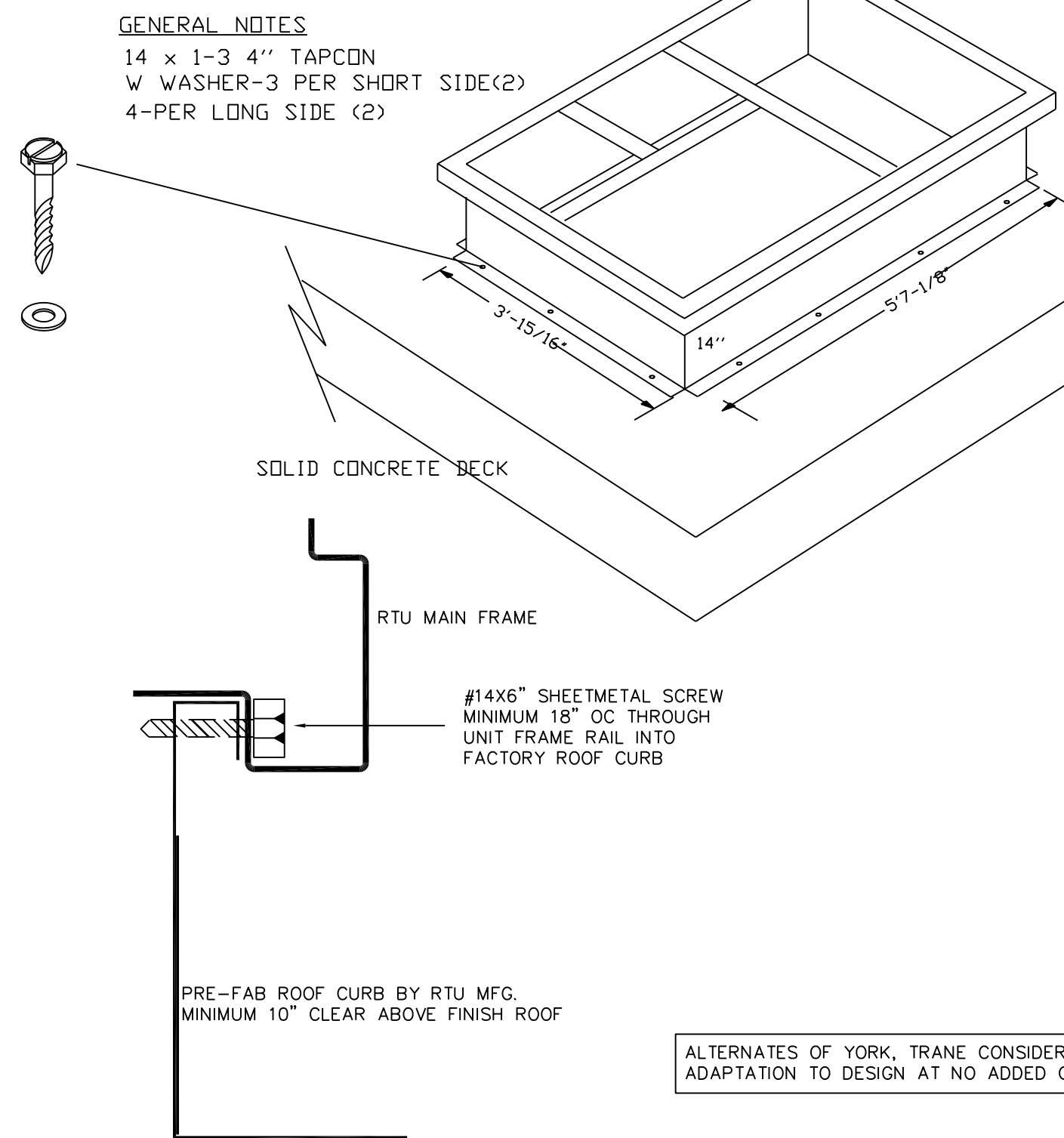


ASHRAE 62 FMC Ch 4	
AS OFFICE SPACE - 20 CFM PER PERSON, 1 PERSON / 145 SQUARE FEET	
FIRST FLOOR	
FRESH AIR CALCULATIONS ARE BASED UPON FMC CHAPTER 4 AT 20 CFM PER PERSON AS CALCULATED ASHRAE 62.1 CALCULATIONS WOULD BE 5 CFM PER PERSON AND .06 CFM/SF FMC CHAPTER 4 = 7 PEOPLE PER 1000 SF OFFICE USE OR 1 PERSON / 145 SQUARE FEET AS CALCULATED FIRST FLOOR AREA - AS STATED ARCHITECTURAL PLANS = 10,903 SQUARE FEET LESS (2) STAIRS AT 227 SF EACH, LESS ELEVATOR SHAFT AT 67 SF LESS ELEVATOR EQUIPMENT ROOM AT 67 SF LESS JANITOR CLOSET AT 47 SF LESS ELECTRICAL ROOM AT 135 SF (FUTURE CORRIDOR NOT SUBTRACTED) FIRST FLOOR AREA POSSIBLY USED AS OFFICE SPACE = 10,133 SQUARE FEET. 7 PEOPLE PER 1000 SF = 10.1 x 7 = 71 PEOPLE 71 PEOPLE X 20 CFM = 1420 CFM REQUIRED, 1750 CFM AVAILABLE.	
PEOPLE COUNT IS NOT DEFINED AS IT IS A SHELL BUILDING	
USING ASHRAE 62.1 5 CFM PER PERSON AND .06 CFM/SF 71 PEOPLE x 5 = 355 CFM AND 10133 SF x .06 CFM/SF = 608 CFM TOTAL ASHRAE CFM = 963 CFM, 1750 CFM AVAILABLE	
SECOND FLOOR	
FRESH AIR CALCULATIONS ARE BASED UPON FMC CHAPTER 4 AT 20 CFM PER PERSON FMC CHAPTER 4 = 7 PEOPLE PER 1000 SF OFFICE USE OR 1 PERSON / 145 SQUARE FEET SECOND FLOOR AREA - AS STATED ARCHITECTURAL PLANS = 11,278 SQUARE FEET LESS (2) STAIRS AT 227 SF EACH, LESS ELEVATOR SHAFT AT 67 SF (FUTURE CORRIDOR NOT SUBTRACTED) SECOND FLOOR AREA POSSIBLY USED AS OFFICE SPACE = 10,757 SQUARE FEET. 7 PEOPLE PER 1000 SF = 10.7 x 7 = 75 PEOPLE 75 PEOPLE X 20 CFM = 1500 CFM REQUIRED, 2000 CFM AVAILABLE.	
PEOPLE COUNT IS NOT DEFINED AS IT IS A SHELL BUILDING	
USING ASHRAE 62.1 5 CFM PER PERSON AND .06 CFM/SF 75 PEOPLE x 5 = 375 CFM AND 10757 SF x .06 CFM/SF = 645 CFM TOTAL ASHRAE CFM = 1020 CFM, 2000 CFM AVAILABLE	

AIR CONDITIONING EQUIPMENT SCHEDULE - BASED UPON FRIEDRICH														
MARK	MODEL	ELECTRICAL	MCA/MOCP	WEIGHT	AHU	ELECTRICAL	SEER	CFM	ASHRAE62	COOLING	HEAT	REF LINES	WEIGHT	REMARKS
CU 1	MRO9C1H	1/120/60	15/20(643W)	80LB	MW09C1H	SUBFED FROM CU	22.0	329MAX	N.A.	4435-10600 BTUH	NONE	1/4" 3/8"	24LB	ENERGY STAR
CU 2	MR12C1H	1/120/60	15/20(889W)	90LB	MW12C1H	SUBFED FROM CU	20.0	300MAX	N.A.	4500-14000 BTUH	NONE	1/4" 3/8"	24LB	ENERGY STAR

PRICING, ORDERS, QUESTIONS, CONTACT MR. RAFAEL DEL VALLE CELL 754-235-0412, OFFICE 305-592-1888 EXT 327

CARRIER-50TC004-007 CURB CURB TO CONCRETE DECK ATTACHMENT



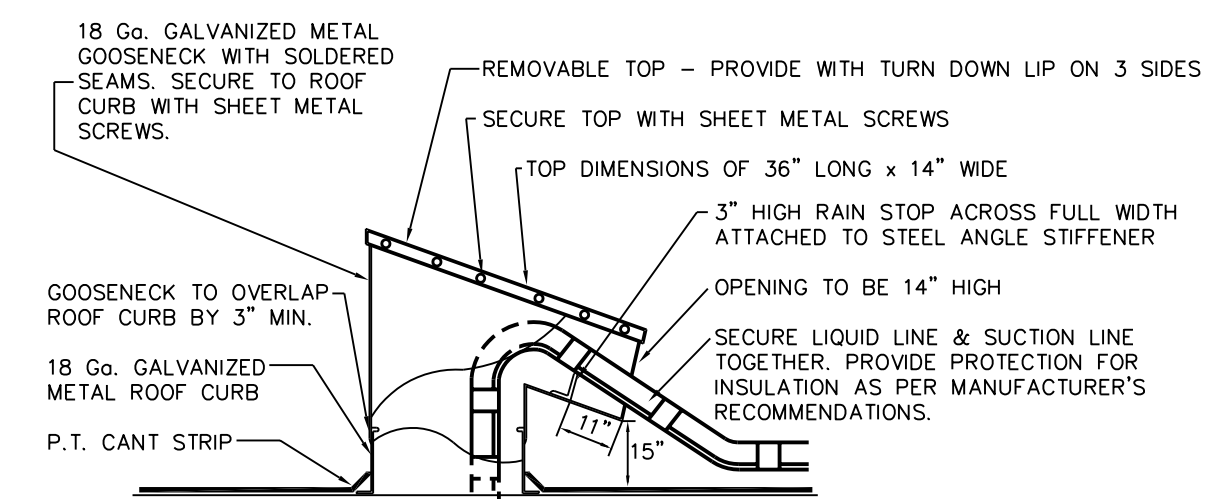
ROOFTOP UNIT MOUNTING & ANCHORING DETAIL
NO SCALE

EXHAUST FAN SCHEDULE - BASED UPON ACME										
MARK	MODEL	SERVES	ELECTRICAL	HP	DRIVE	RPM	CFM	SP	WEIGHT	REMARKS
EF 1	V80	JANITOR	1/120/60	86W	DIRECT	1369	80	.125"	---	

EQUALS BY PENN. GREENHECK, CONSIDERED

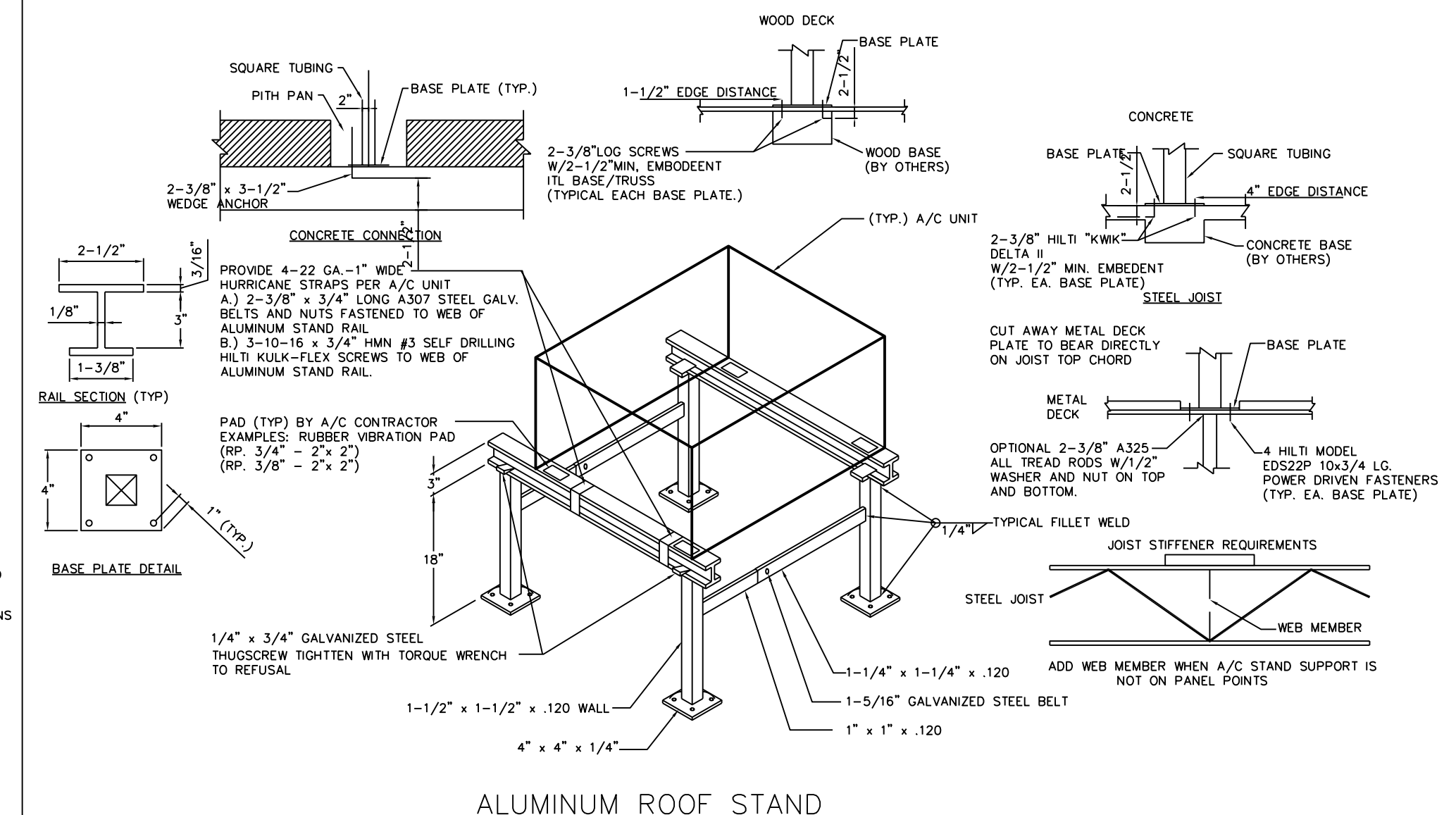
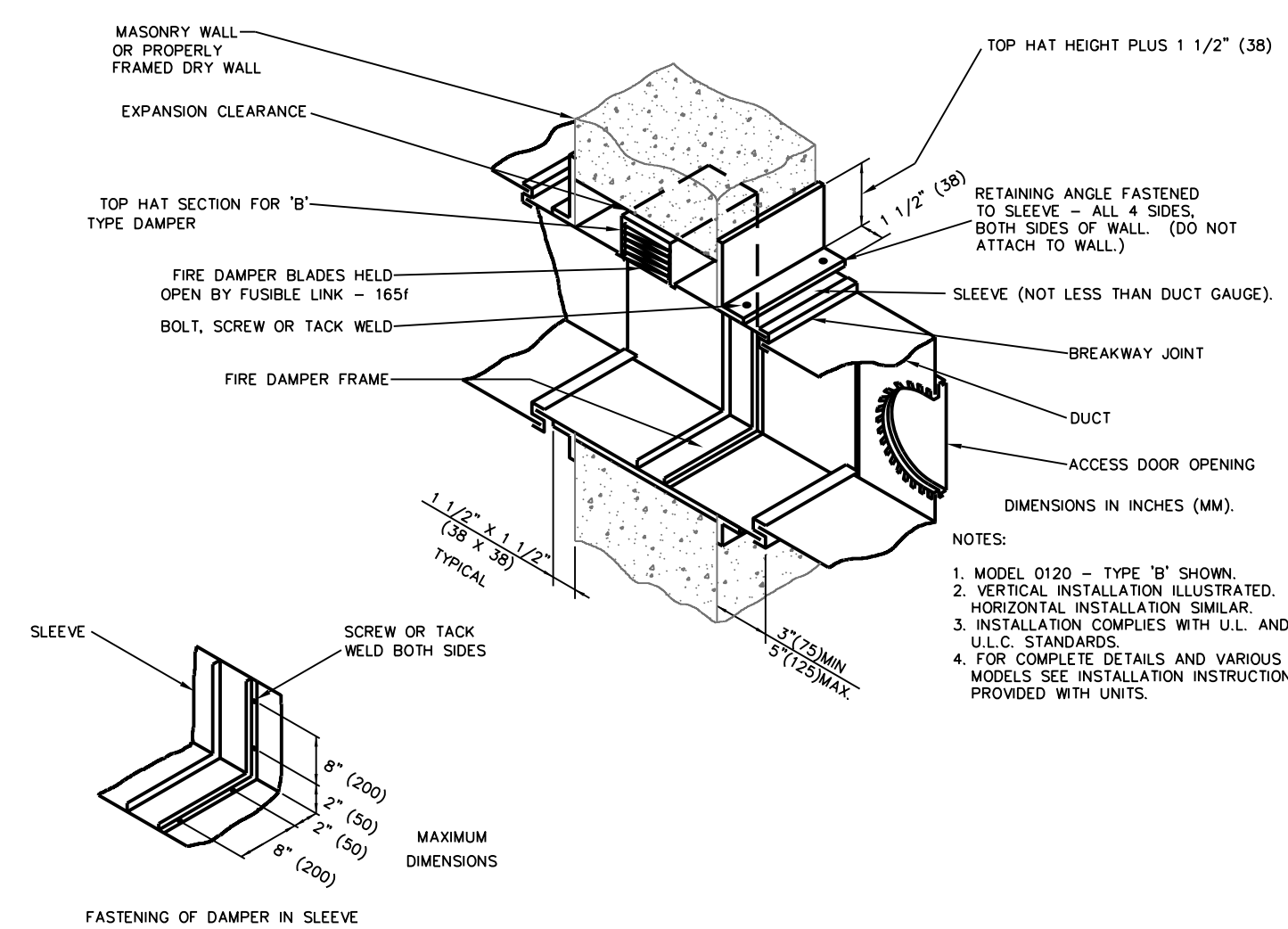
AIR CONDITIONING NOTES:

- AC UNITS BASED UPON CARRIER - YORK, TRANE, LENNOX ALTERNATES ACCEPTED
RTU CURBS BASED UPON CARRIER 50HJ SERIES - UP TO 6 TON UNITS SEER 13
CONDENSERS BASED UPON CARRIER 24ABR SERIES UP TO 5 TON UNITS SEER 13
- DUCTWORK:
FRESH AIR & EXHAUST: GALV & SNAPLOCK R-6 INSULATION WRAP WITH CLASS 1 FLEX DUCT R-6
DIMENSIONS GIVEN ARE INSIDE NET
- FIRE DAMPERS: RUSKIN/UL LABEL & LISTED EQUALS 1 1/2 HOUR WITH ACCESS DOOR FOR SERVICE.
- GENERAL:
1) SECURE ALL WARRANTIES, SCHEMATICS, BROCHURES FOR EQUIPMENT AND RETURN TO OWNER
2) MAINTAIN AS BUILTS OF ANY CHANGES - RETURN TO OWNER.
3) COORDINATE WORK WITH OTHER TRADES AND CONDITIONS OF CONSTRUCTION.
4) CONDENSATES ARE NEW, INSULATED WITH 3/4" ARMAFLEX 25/50
5) DRAWINGS, CUT SHEETS, SIX COPIES MINIMUM FOR APPROVAL PRIOR TO ORDER/PURCHASE OF ALL MATERIAL, EQUIPMENT.



REFRIGERANT PIPE HOOD

NAILOR-HART INDUSTRIES INC. TYPICAL INSTALLATION OF FIRE DAMPER



ALUMINUM ROOF STAND
SCALE: N.T.S.

LEGEND - DRAWING SYMBOLS

	SUPPLY DIFFUSER, ROUND DUCT WITH SIZE, MANUAL VOLUME DAMPER IN BELLMOUTH COLLAR		SIDEWALL GRILLE, DEFLECTION AND CFM SPECIFIED		EXHAUST GRILLE OR EXHAUST FAN ACCORDING TO MARK "EG" OR "EF" TRANSFER GRILLES - WITH DUCT SIZE NOTED.		DUCT THRU RATED ELEMENT, FIRE DAMPER NOTED BY "FD".		EXTRACTOR IN DUCT TO BRANCH, DIMENSION NOTES DEPTH
	SIDEWALL LINEAR ACTIVE SECTION, GRILLE.		SIDEWALL RETURN OR EXHAUST GRILLE ACCORDING TO MARK "TRC" OR "EG"		RECTANGULAR DUCT, SUPPLY, RETURN OR EXHAUST, SIZE NOTED, INSIDE NET DIMENSION GIVEN		VANES		TURNING VANES IN DUCT ELBOW, THESE OCCUR AT ALL TURNS OF 45 DEGREES OR GREATER - SHOWN OR NOT ON PLAN.
			CEILING RETURN AIR GRILLE		SPLIT IN DUCT TO BRANCHES, WITH VANES, DIMENSION NOTES SPLIT OFFSET		RISE OR DROP IN DUCT		TRANSITION IN DUCT SIZE

GROVE MEDICAL PLAZA
SOUTHERN BLVD @ F ROAD
ROYAL PALM BEACH FLORIDA

KENNETH R. CARLSON - ARCHITECT, P.A.
1002 E. NEWPORT CENTER DRIVE SUITE 101
DEERFIELD BEACH, FLORIDA AA 0001818
P.H. (954) 421-8848 FAX (954) 421-9979
e-mail: ken@kenricarlson.com

Revisions:
BD REVIEW FA CALCS
8/10/11

DRAWN BY:
CHECKED BY:
DATE: 8-31-11
SCALE: AS NOTED
PROJECT #: 1103081181
CAD DWG FILE:

AR 12546

KENNETH R. CARLSON
M4

loucks engineering inc.
consulting engineers
E. PALM P.E. FL REG 48832
F. DEONOR P.E. FL REG 62459
4520 N.E. 18th ave. ste 400, Ft. Lauderdale, FL 33334
TEL (954) 938-1881 FLA. REG. #EB-0003306