

Quotation for Project: NIXON PEABODY

CUSTOMER: BUILDING TECHNOLOGY SERVICES  
1520 BUCKINHAM AVE  
WELLINGTON FL 33414  
Phone (561)712-1126  
Fax (561)712-1407

Sales Office: CORS-AIR  
1375 NORTH KILLIAN DR  
LAKE PARK FL 33403-1939  
Priced By: Edward King  
Email: lois@cors-air.com  
Phone: (561)844-9767  
Fax: (561)844-9792

Design Criteria

Elevation: (ft) 0  
Power: 60 Cycle

Destination Country: United States

\*\* Name and Location of end user is required for all Export...

To:  
Cindy

Thank you!  
Lois ☺

TERMS

Order Terms: Standard Terms  
Freight Terms: Prepaid  
0.00

Extended lead time

Total Net (\$) 418.00

Standard Terms & Conditions of Sale Apply.  
Sales tax is the responsibility of the buyer, unless tax exempt certificate is provided.  
Payment Terms are Net - 30 days, subject to credit approval.

Created in CAPS 4.3.1248  
Job Creation Date 04/05/10

PRICES AS QUOTED VALID FOR 90 DAYS

**NIXON PEABODY**

Mark: DYNAMIC FIRE DAMPER

Model: DFD-150

Product Family: Damper

**Dynamic Rated Fire Damper**

**CONFIGURATION**

Transition:	B	Closure Temp. (F):	165	Slv Thickness (ga):	10
Transition Location:	Both Sides	Velocity (ft/min):	2,000	Damper Location (in):	8
Mounting:	Vertical	Selected Static Pressure (in wg):	4	Sizing:	Nominal
Closure Device:	Fusible Link	Sleeve Length (in):	16		

**ACCESSORIES (\$ Included in Unit List):**

Retaining Angle, 2-Side Loose, Min. size per UL

Crossed bar design 0.5 in diameter Vertical & horizontal bars 6 in Vert. Spacing 6 in Horiz. Spacing

ID #	Tag	Qty	Width (in)	Height (in)	Damp Loc.
1-1		1	32.000	16.000	8
Tags:					

Mark: FIRE DAMPER - NO SLEEVE

Model: DFD-150

Product Family: Damper

**Dynamic Rated Fire Damper**

**CONFIGURATION**

Transition:	B	Closure Device:	Fusible Link	Selected Static Pressure (in wg):	4
Transition Location:	Both Sides	Closure Temp. (F):	165	Sizing:	Nominal
Mounting:	Vertical	Velocity (ft/min):	2,000		

**ACCESSORIES (\$ Included in Unit List):**

Retaining Angle, 2-Side Loose, Min. size per UL

ID #	Tag	Qty	Width (in)	Height (in)
2-1		1	42.000	12.000
Tags:				

# DFD-150

## Dynamic Rated Fire Damper

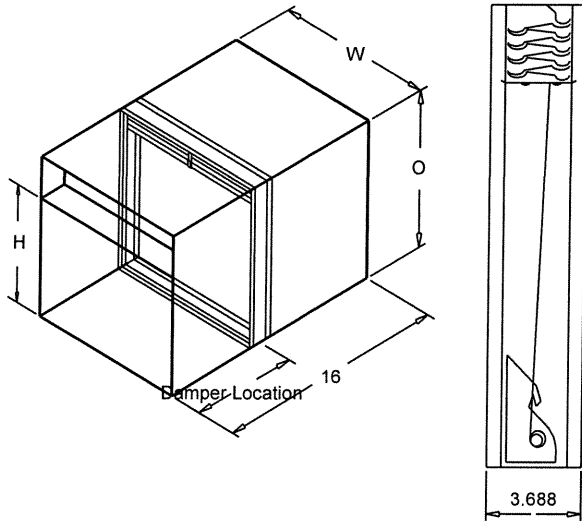
### Application & Design

Model DFD-150 is approved for use in walls, floors, and partitions with fire resistance ratings less than 3 hours. This model carries a 1 1/2 hour UL fire damper label. UL-555 classifies dynamic rated fire dampers for use in HVAC systems that are operational in the event of fire. All damper installations require the use of sleeves, angles, and methods described in Greenheck's Fire Damper Installation Instructions #452763, included with every damper shipment.

- Galvanized Curtain Style Blades.
- UL 555 1 1/2 Hour Fire Resistance Rating.
- C, CO, CR transitions are positioned 1 in. from bottom of sleeve.

### Codes Approved

This model meets the requirements for fire dampers established by: NFPA Standards 90A, 92A, 92B & 101, UL Classified to U.S. and Canadian safety standards 555 (Listing #R13317), IBC, BOCA, ICBO, SBCCI (Building Codes), CSFM California State Fire Marshall Fire Damper Listing (#3225-0981:102), and New York City (MEA listing #260-91-M).



Notes: All dimensions shown are in units of inches. W & H furnished approximately 0.25 in undersized. (sleeve thickness is NOT included)

### CONSTRUCTION FEATURES

Transition: B  
 Transition Location: Both Sides  
 Mounting: Vertical  
 Closure Device: Fusible Link  
 Closure Temp. (F): 165  
 Sleeve Length (in): 16  
 Sleeve Thickness (ga): 10  
 Damper Location (in): 8  
 Frame Thickness (ga): 8  
 Axle Bearings:  
 Sizing: Nominal

### Selected Accessories

Retaining Angle, 2-Side Loose, Min. size per UL

Crossed bar design 0.5 in diameter Vertical & horizontal bars 6 in Vert. Spacing 6 in Horiz. Spacing

ID #	Tag	Qty	W (in)	H (in)	Sections Wide	Sections High	O Dimension (in)
1-1		1	32.000	16.000	1	1	19
Tags:							

# Crossed Bar Design

## Security Bars

### Application & Design

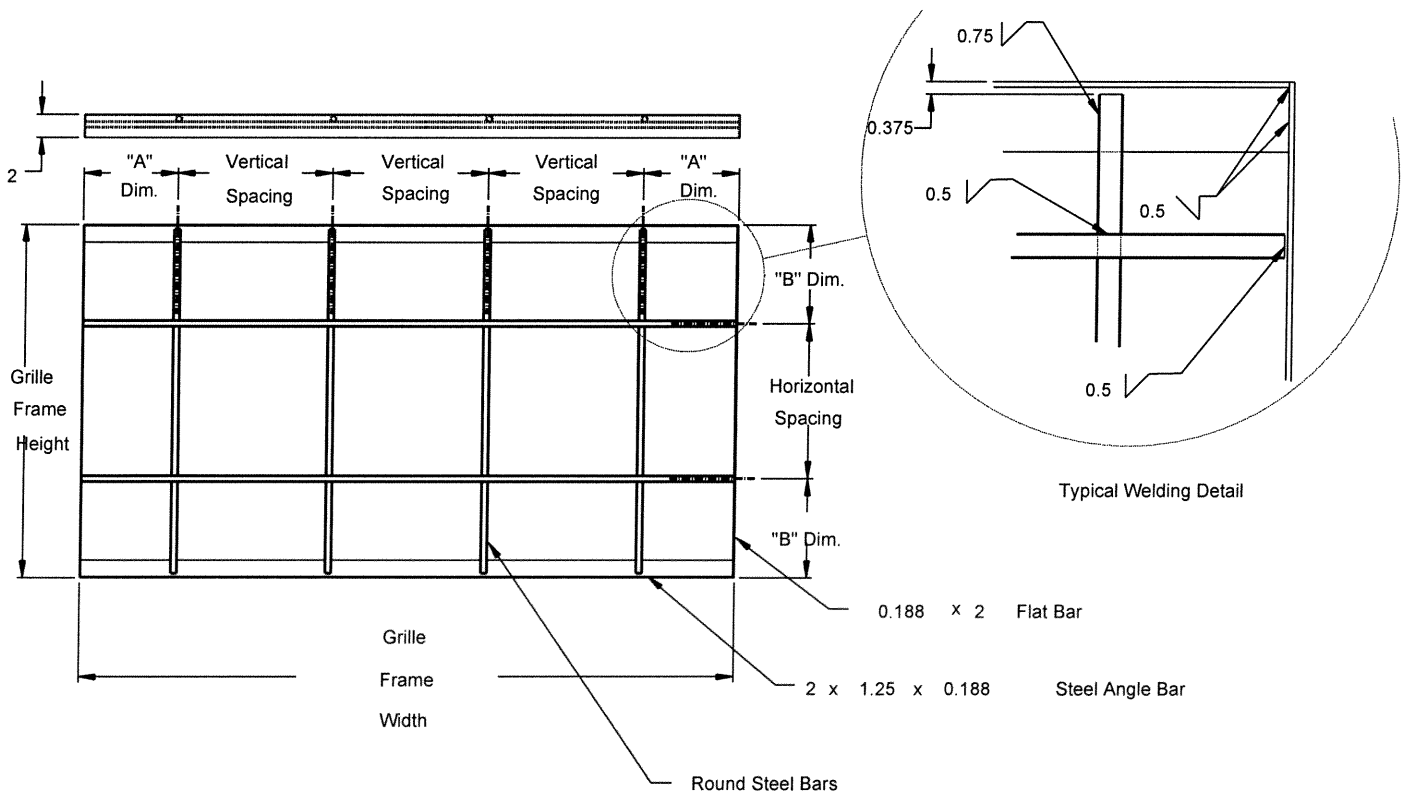
Installation of Greenheck security bars into dampers not only reduces security risks, but will also reinforce the equipment. Greenheck's use of security bars maintains the UL classification for all of our products. The standard product is welded into the sleeve.

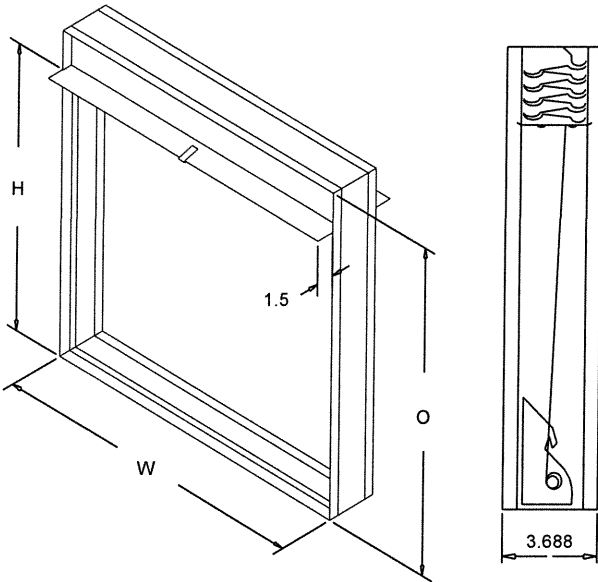
**Standard Construction**

\* Frame: Steel construction. Horizontal sides of frame are 2 in x 1.25 in x 0.188 in hot rolled angle bar. Vertical sides of frame are 0.188 in x 2 in hot rolled flat bar.

\* Vertical & Horizontal Bars: Customer's choice of 0.5 in, 0.75 in, or 1 in round steel bars.

\* Frame Options: Special design requests (SDRs) are available regarding construction. Consult the factory with any questions.





# DFD-150

## Dynamic Rated Fire Damper

### Application & Design

Model DFD-150 is approved for use in walls, floors, and partitions with fire resistance ratings less than 3 hours. This model carries a 1 1/2 hour UL fire damper label. UL-555 classifies dynamic rated fire dampers for use in HVAC systems that are operational in the event of fire. All damper installations require the use of sleeves, angles, and methods described in Greenheck's Fire Damper Installation Instructions #452763, included with every damper shipment.

- Galvanized Curtain Style Blades.
- UL 555 1 1/2 Hour Fire Resistance Rating.
- C, CO, CR transitions are positioned 1 in. from bottom of sleeve.

### Codes Approved

This model meets the requirements for fire dampers established by: NFPA Standards 90A, 92A, 92B & 101, UL Classified to U.S. and Canadian safety standards 555 (Listing #R13317), IBC, BOCA, ICBO, SBCCI (Building Codes), CSFM California State Fire Marshall Fire Damper Listing (#3225-0981:102), and New York City (MEA listing #260-91-M).

Notes: All dimensions shown are in units of inches. W & H furnished approximately 0.25 in undersized. (sleeve thickness is NOT included)

### CONSTRUCTION FEATURES

Transition: B  
Transition Location: Both Sides  
Mounting: Vertical  
Closure Device: Fusible Link  
Closure Temp. (F): 165  
Frame Thickness (ga):  
Axle Bearings:  
Sizing: Nominal

### Selected Accessories

Retaining Angle, 2-Side Loose, Min. size per UL

ID #	Tag	Qty	W (in)	H (in)	Sections Wide	Sections High	O Dimension (in)
2-1		1	42.000	12.000	2	1	14

Tags: