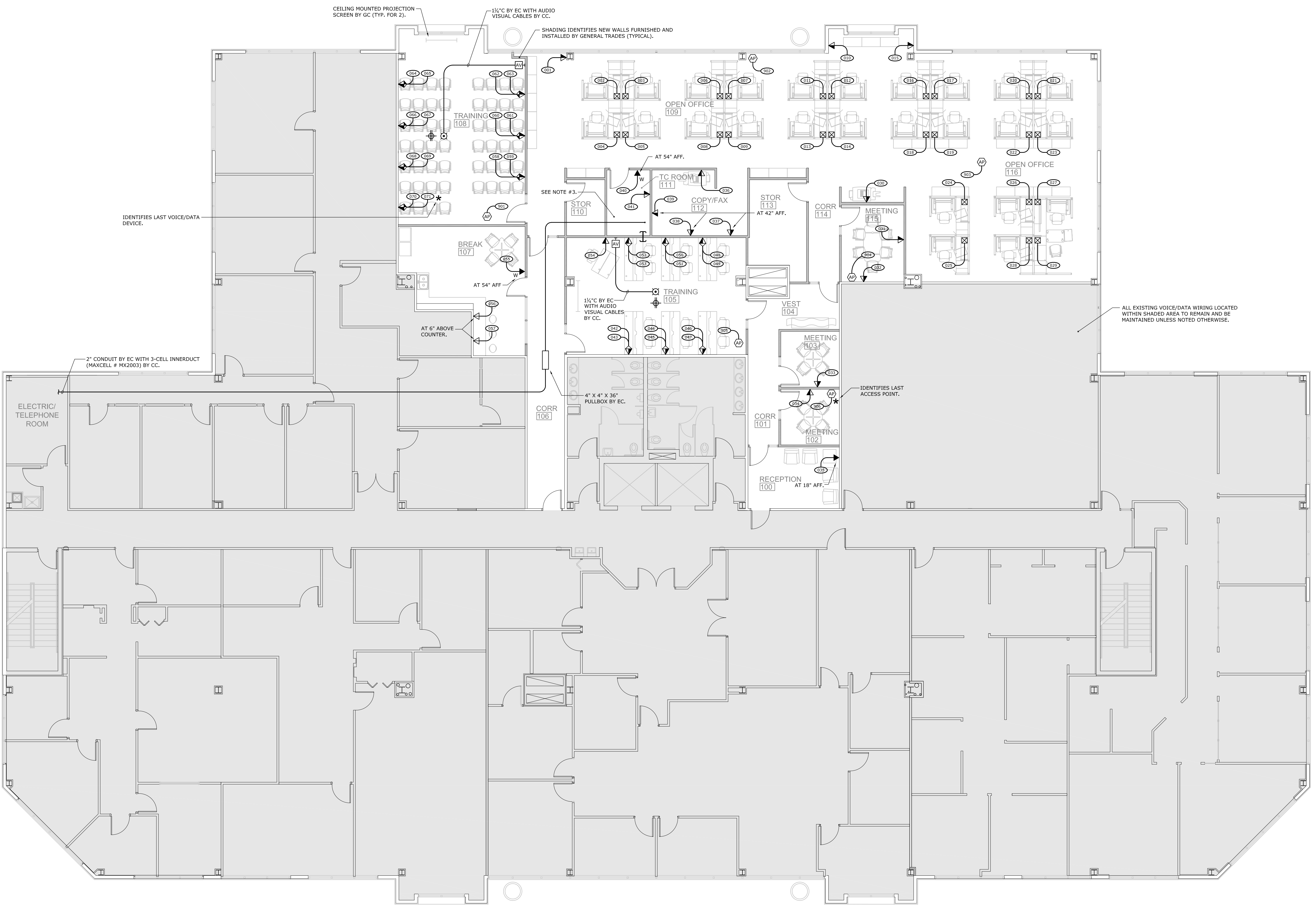
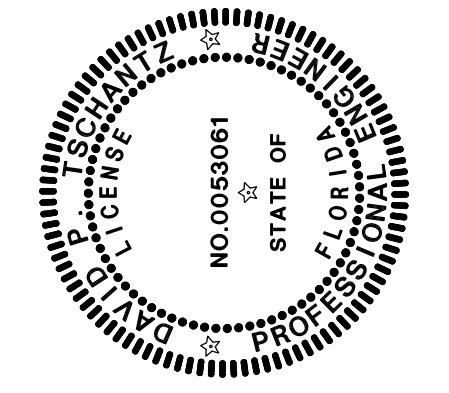


149-11-01 (VD-1) ALLSTATE - W PALM BEACH FL - VOICE/DATA - REVISED PLAN/DWG on 08/01/11 at 16:21 by DRK

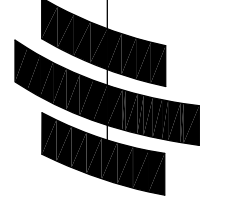


- NOTES:**
1. ROUTE ALL VOICE/DATA CABLES TO TC ROOM 111.
 2. DEMOLITION WORK SHALL BE COMPLETED BY OTHERS UNDER A SEPARATE CONTRACT.
 3. SEE ENLARGED TELECOM ROOM ON DRAWING VD-3 FOR EQUIPMENT LOCATIONS AND RACK ELEVATIONS.



REVISIONS:

PETERS, TSCHANZ & ASSOCIATES, INC.
 CONSULTING ENGINEERS
 275 SPRINGSIDE DR., SUITE 300
 AKRON, OHIO 44333
 PHONE 330-666-3702 FAX -4165
 www.ptaengineering.com



WEST PALM BEACH, FLORIDA
LEGAL BUILDING
 1450 CENTREPARK BLVD.
 WEST PALM BEACH, FL 33401



VOICE/DATA DESIGN

DWN: PTA INC.

CKD: J.J.J.

DATE ISSUED:
8-2-11

SHEET TITLE:
**VOICE/DATA
REVISED PLAN**

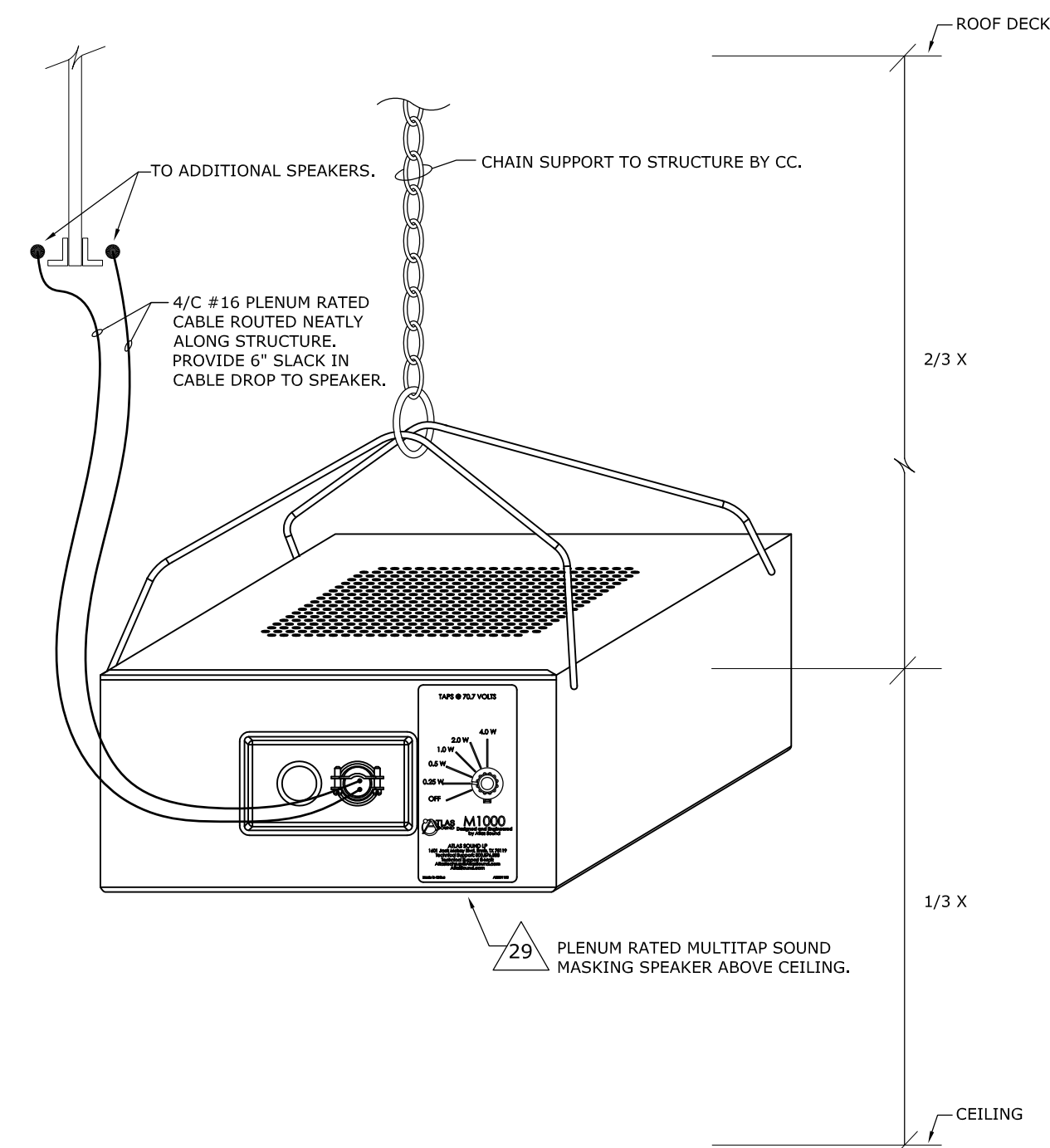
DRAWING NUMBER:

VD-1

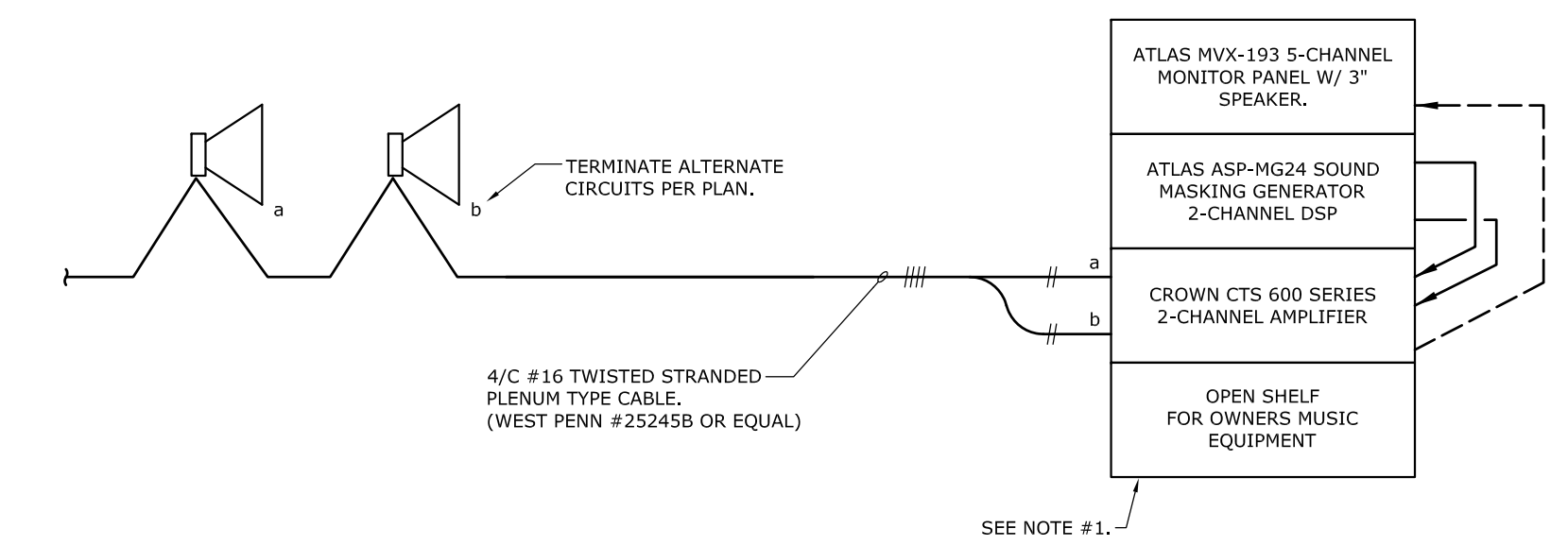
VOICE/DATA REVISED PLAN

➔
SCALE: 1/8" = 1'-0"

149-11-01 (VD-2) ALLSTATE - W PALM BEACH FL - VOICE DATA - SOUND MASKING SYSTEM AND DETAILS.DWG on 08/01/11 at 16:27 by DBM



1 **SPEAKER DETAIL (SYMBOL "⊙")** NOT TO SCALE



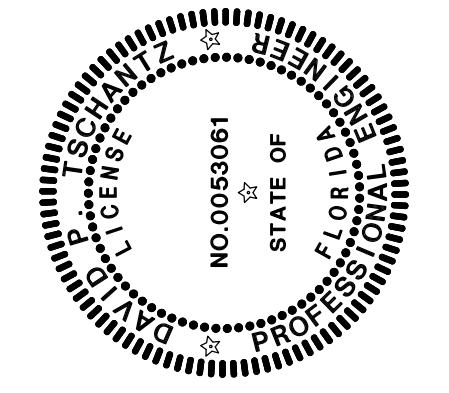
2 **SOUND MASKING SYSTEM RISER** NOT TO SCALE

NOTE:
1. SEE ENLARGED TC ROOM PLAN AND ASSOCIATED RACK ELEVATION ON DWG VD-3 FOR SOUND MASKING SYSTEM EQUIPMENT RACK MOUNTING LOCATION.



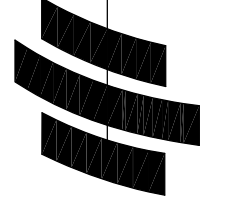
SOUND MASKING SYSTEM PLAN

SCALE: 1/8" = 1'-0"



REVISIONS:

PETERS, TSCHANTZ & ASSOCIATES, INC.
CONSULTING ENGINEERS
275 SPRINGSIDE DR., SUITE 300
AKRON, OHIO 44333
PHONE 330-666-3702 FAX -4165
www.ptaengineering.com



WEST PALM BEACH, FLORIDA
LEGAL BUILDING
1450 CENTREPARK BLVD.
WEST PALM BEACH, FL 33401



VOICE/DATA DESIGN

DWN: PTA INC.

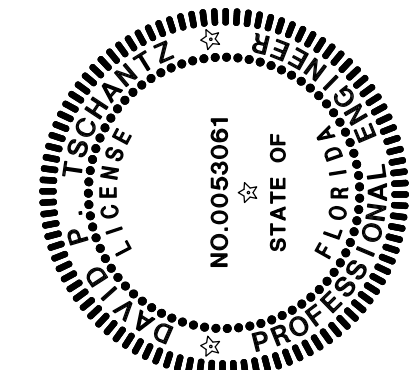
CKD: J.J.J.

DATE ISSUED:
8-2-11

SHEET TITLE:
SOUND MASKING SYSTEM PLAN AND DETAILS

DRAWING NUMBER:

VD-2



REVISIONS:

PETERS, TSCHANZ & ASSOCIATES, INC.
 CONSULTING ENGINEERS
 275 SPRINGSIDE DR., SUITE 300
 AKRON, OHIO 44333
 PHONE 330-666-3702 FAX -4165
 www.ptaengineering.com

WEST PALM BEACH, FLORIDA
LEGAL BUILDING
 1450 CENTREPARK BLVD.
 WEST PALM BEACH, FL 33401

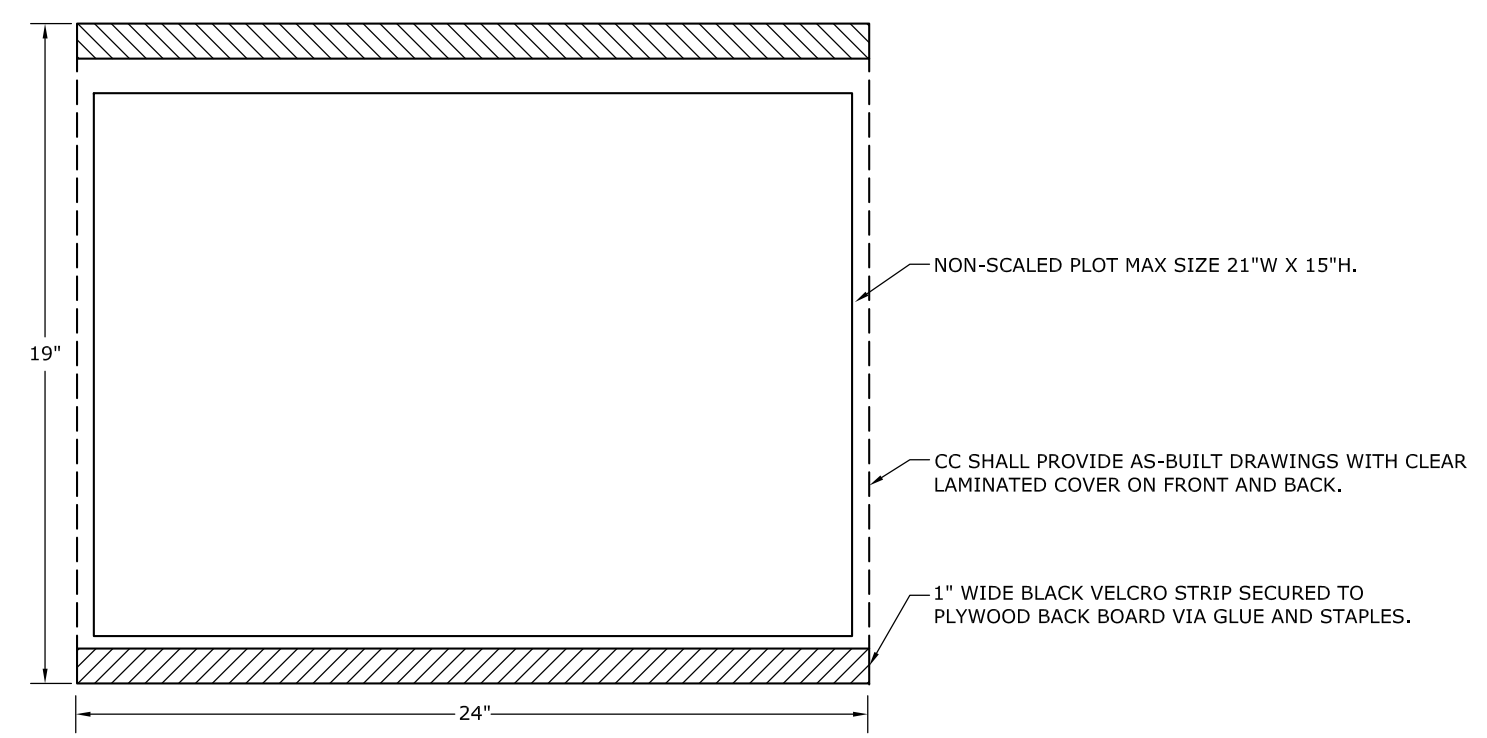
Alistate
 You're in good hands.

VOICE/DATA DESIGN

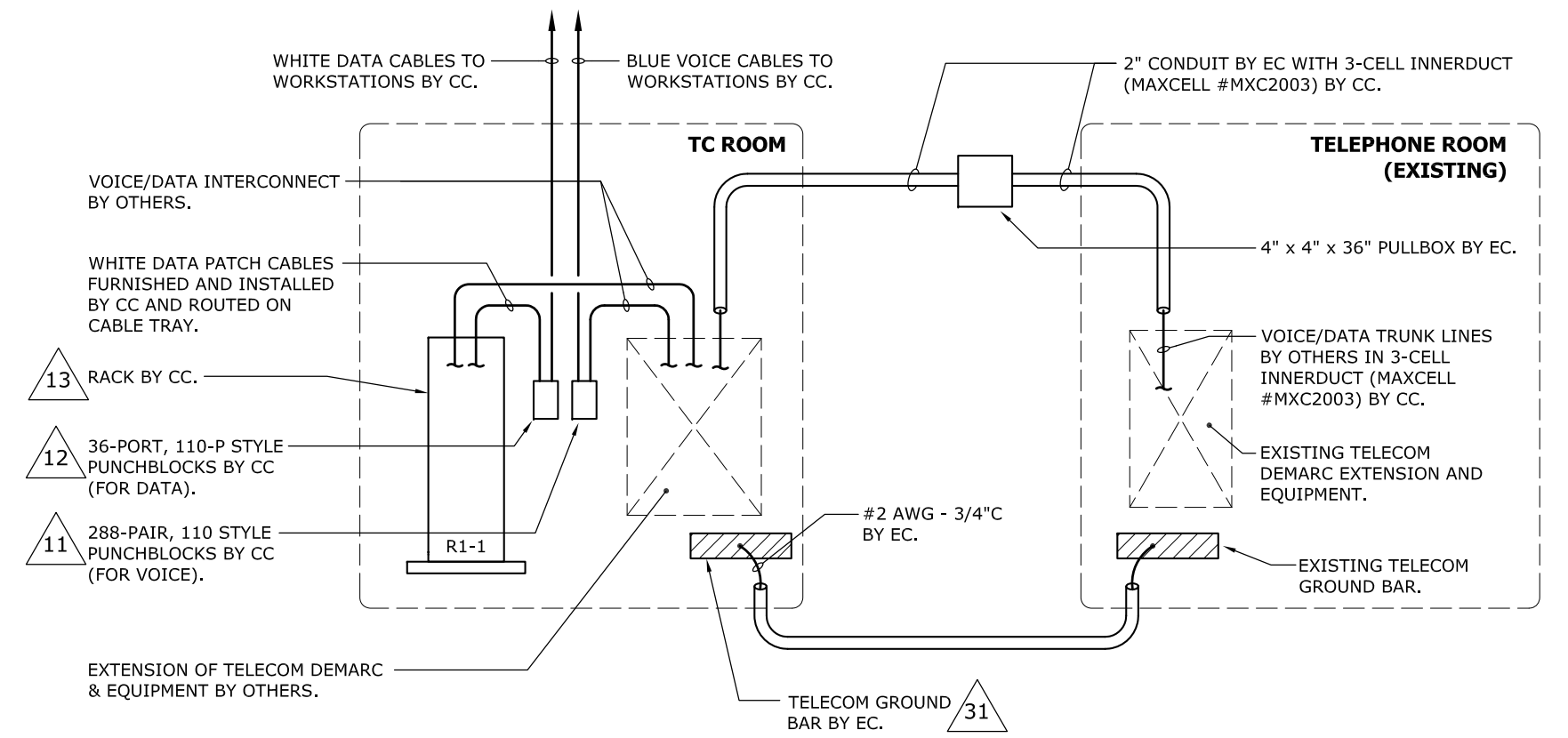
DWN: PTA INC.
 CKD: J.J.J.
 DATE ISSUED:
 8-2-11
 SHEET TITLE:
TC ROOM ENLARGED PLAN & DETAILS

DRAWING NUMBER:
VD-3

- NOTES:**
1. ALL WORK ASSOCIATED WITH THE WALL MOUNTED TAG PLAN INCLUDING VELCRO AND LAMINATE SHALL BE PROVIDED BY THE CC.
 2. PROVIDE TAG PLAN HOLDERS ON TC ROOM WALL.

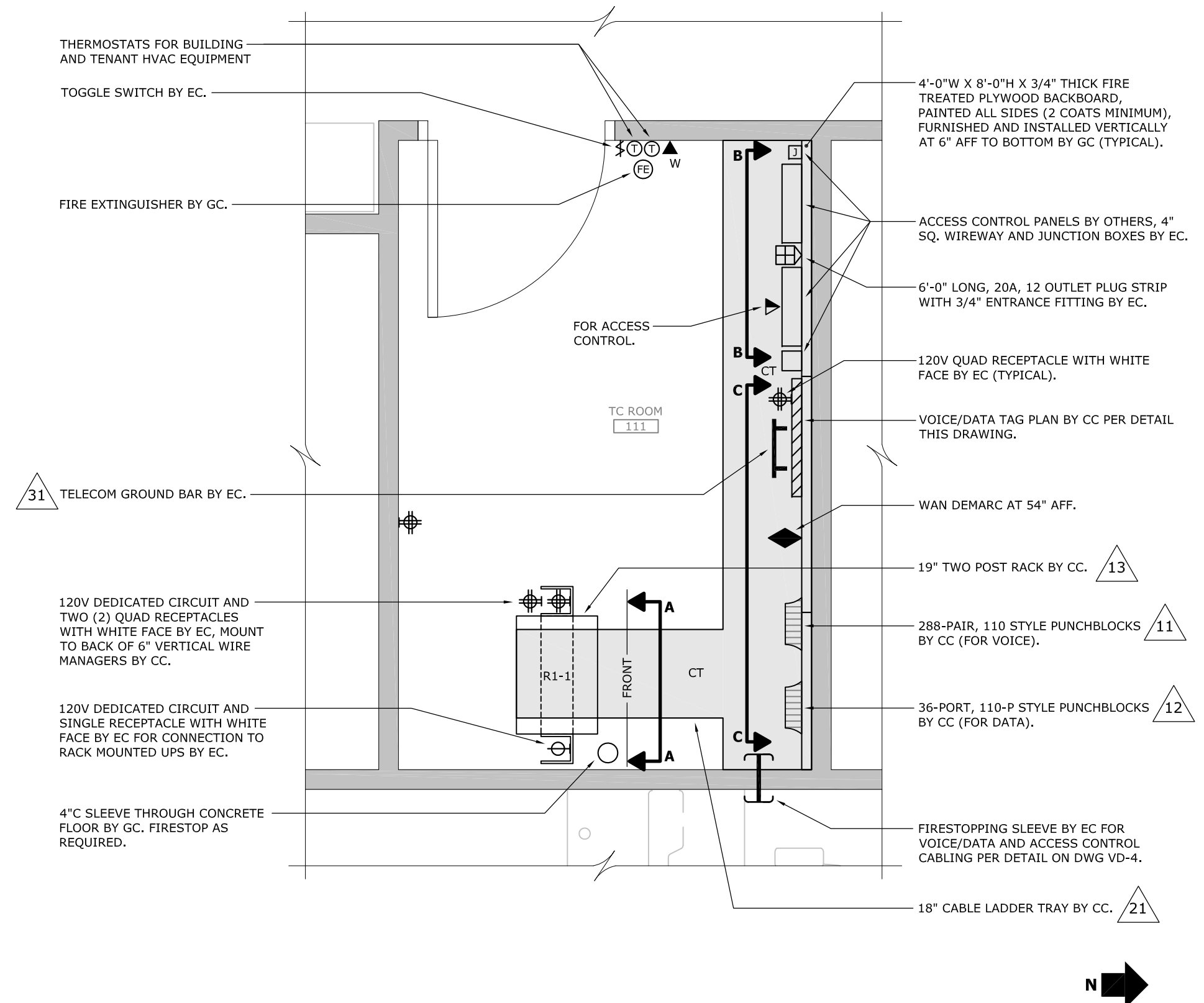


1 VOICE/DATA TAG PLAN COVER DETAIL SCALE: NONE

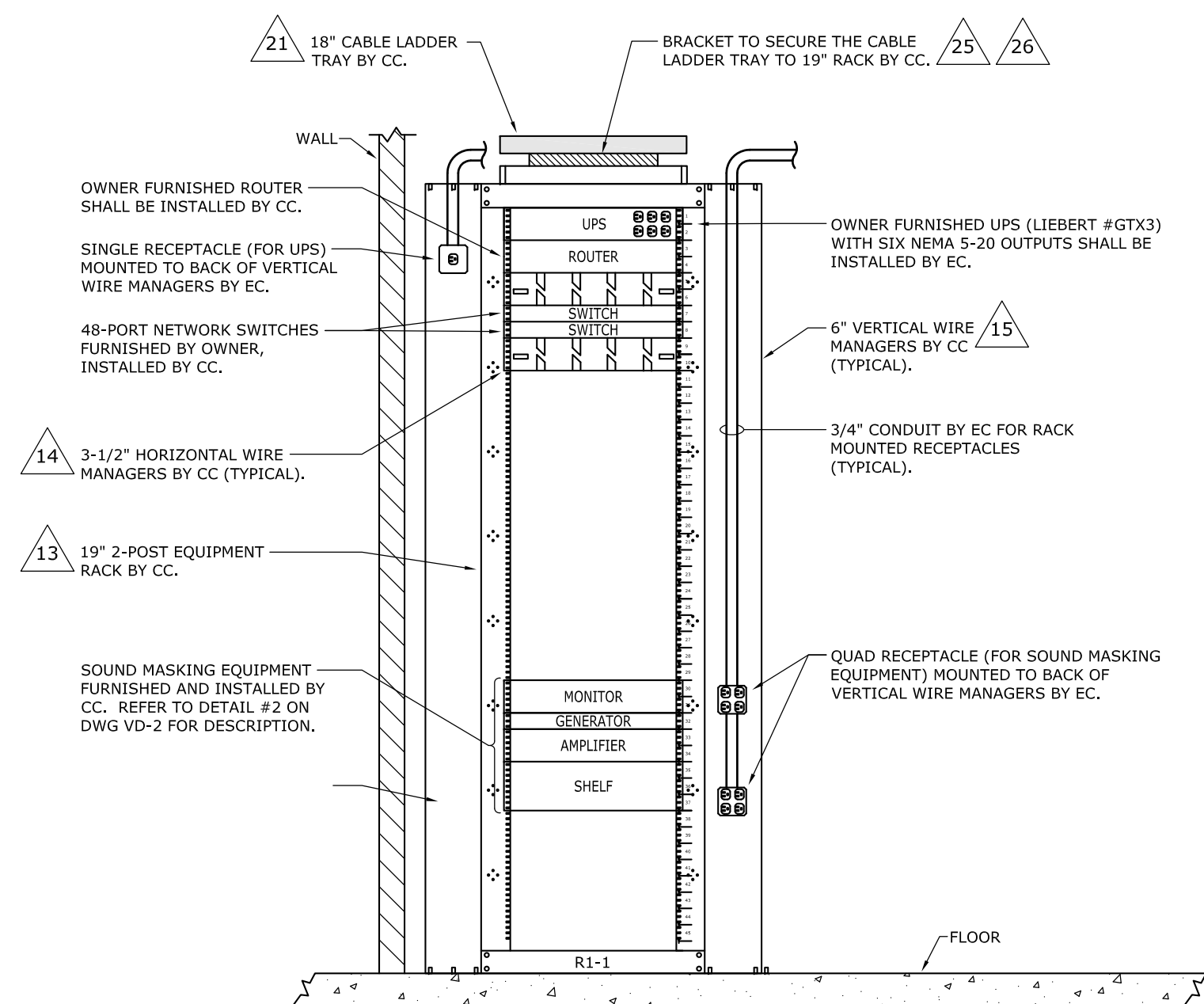


- NOTE:**
1. EXISTING RISER DIAGRAM IS BASED ON HISTORICAL CONSTRUCTION DRAWINGS. CC SHALL FIELD VERIFY EXISTING CONDITIONS.

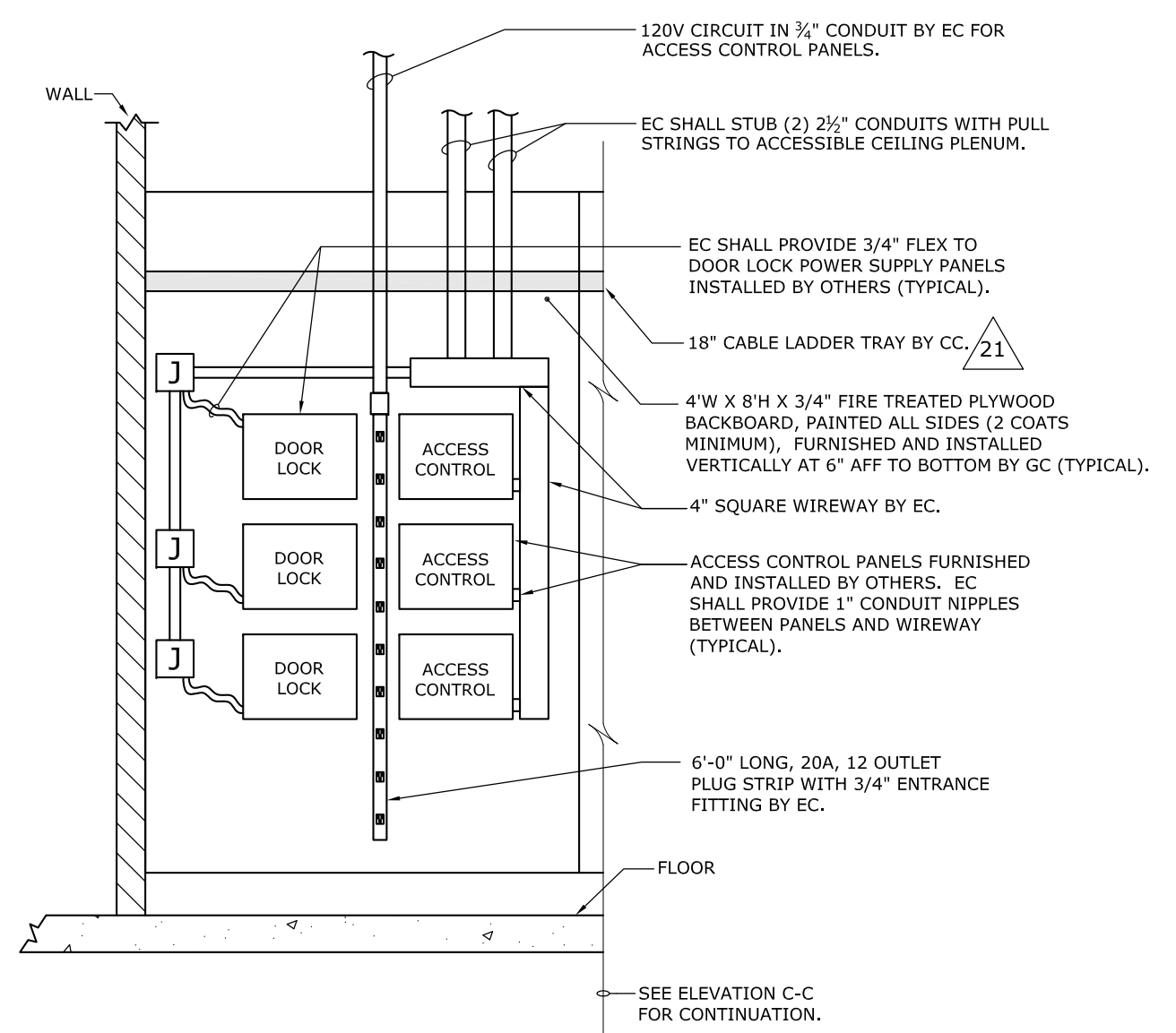
2 TELECOMMUNICATION RISER SCALE: NONE



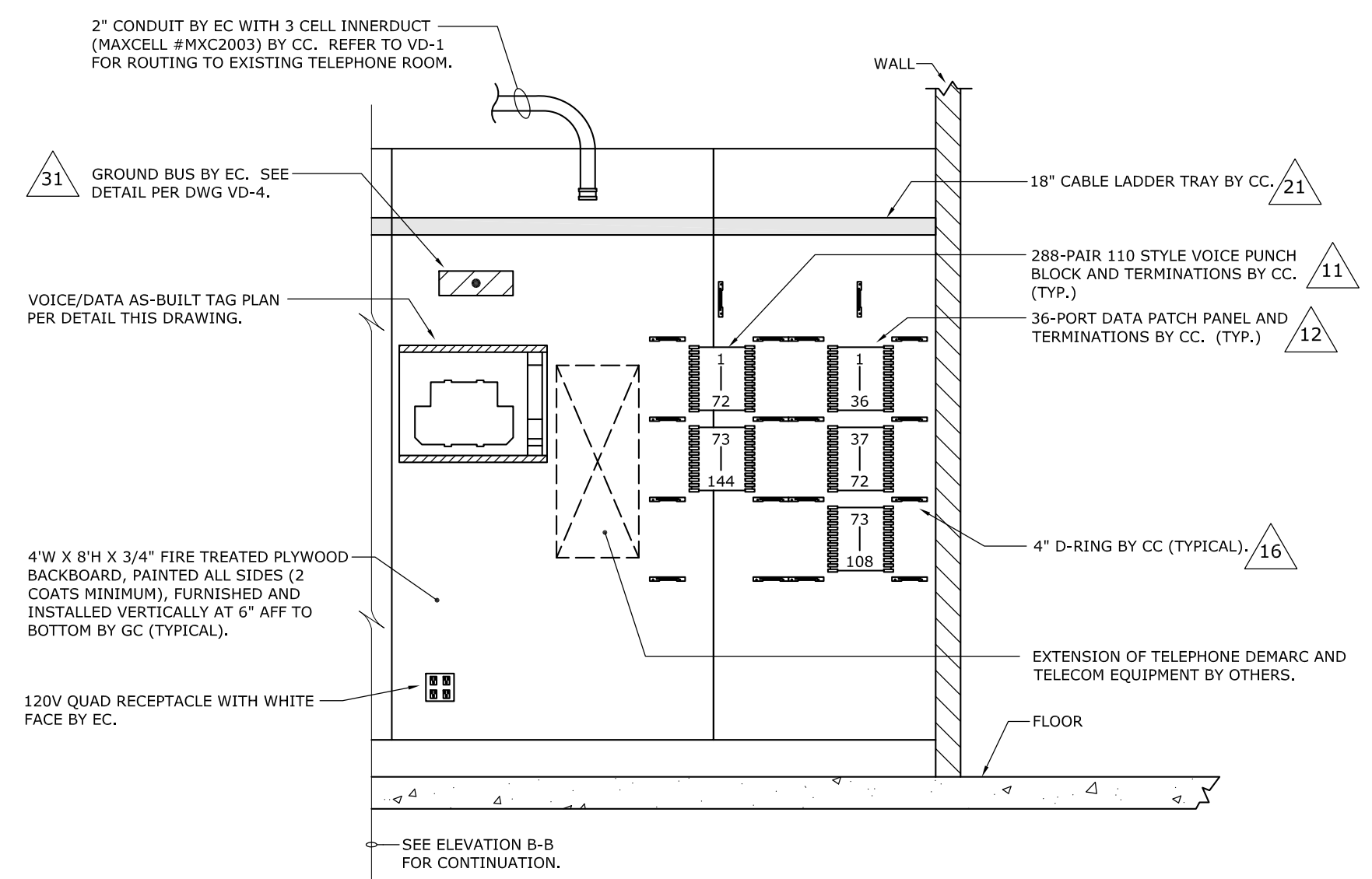
TC ROOM ENLARGED PLAN SCALE: 1/2" = 1'-0"



3 ELEVATION A-A (DATA RACK) SCALE: NONE

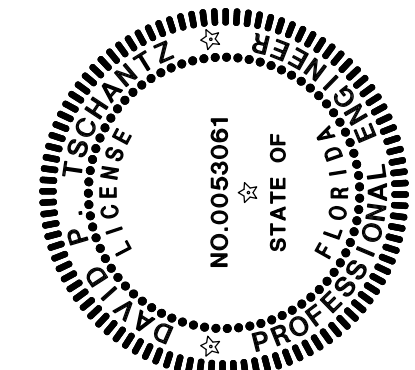


4 ELEVATION B-B (ACCESS CONTROL) SCALE: NONE



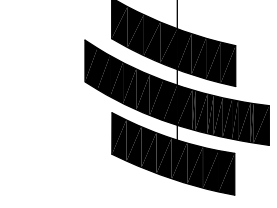
5 ELEVATION C-C SCALE: NONE

149-11-01 (VD-3) ALLSTATE - W PALM BEACH FL - VOICE/DATA - DETAILS.DWG on 07/29/11 at 11:09 by MChidder



REVISIONS:

PETERS, TSCHANITZ & ASSOCIATES, INC.
 CONSULTING ENGINEERS
 275 SPRINGSIDE DR., SUITE 300
 AKRON, OHIO 44333
 PHONE 330-666-3702 FAX -4165
 www.ptaengineering.com



WEST PALM BEACH, FLORIDA
 LEGAL BUILDING
 1450 CENTREPARK BLVD.
 WEST PALM BEACH, FL 33401

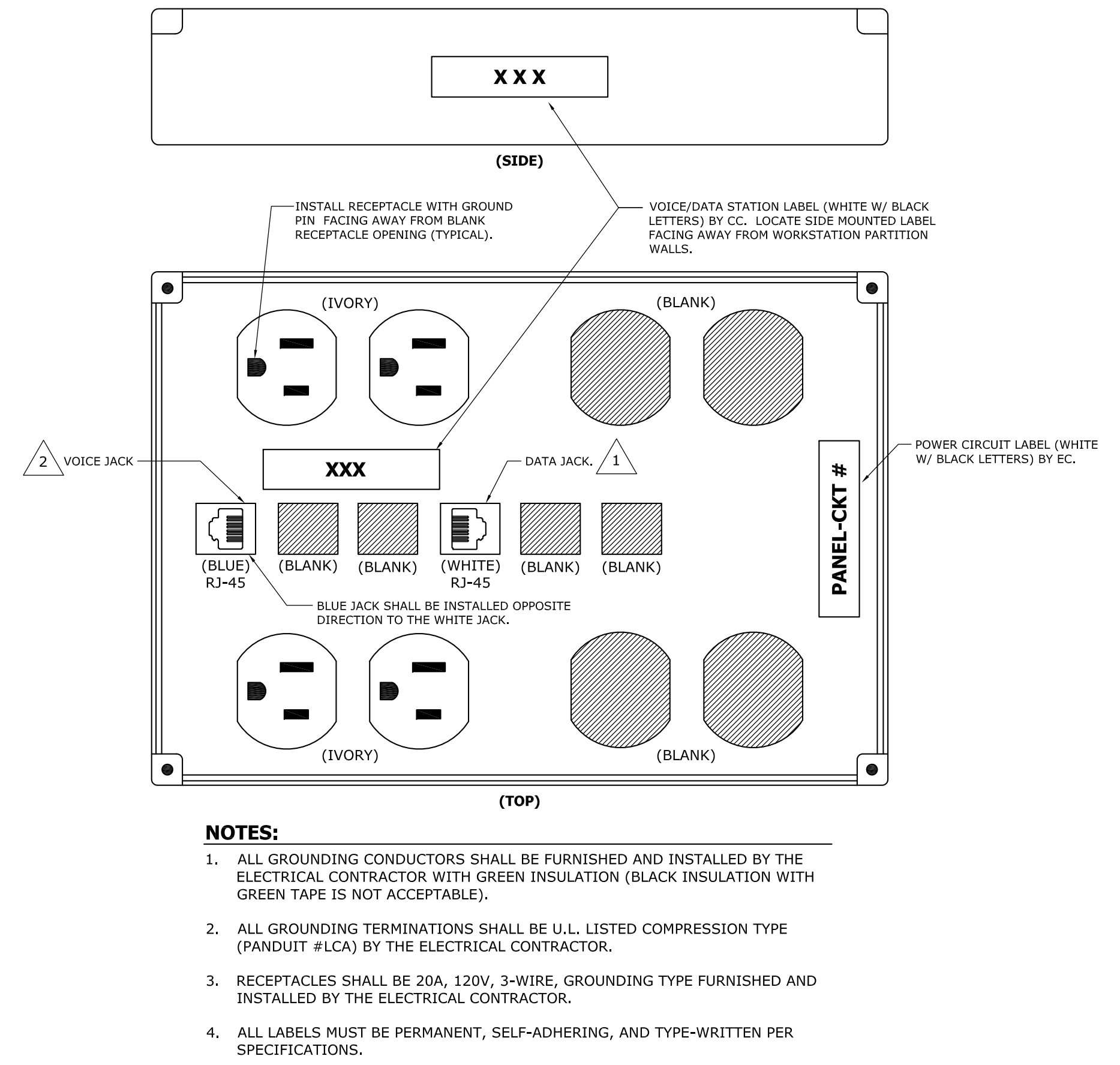


DWN: PTA INC.
 CKD: J.J.J.
 DATE ISSUED:
 8-2-11
 SHEET TITLE:
 VOICE/DATA
 DETAILS

DRAWING NUMBER:

VD-4

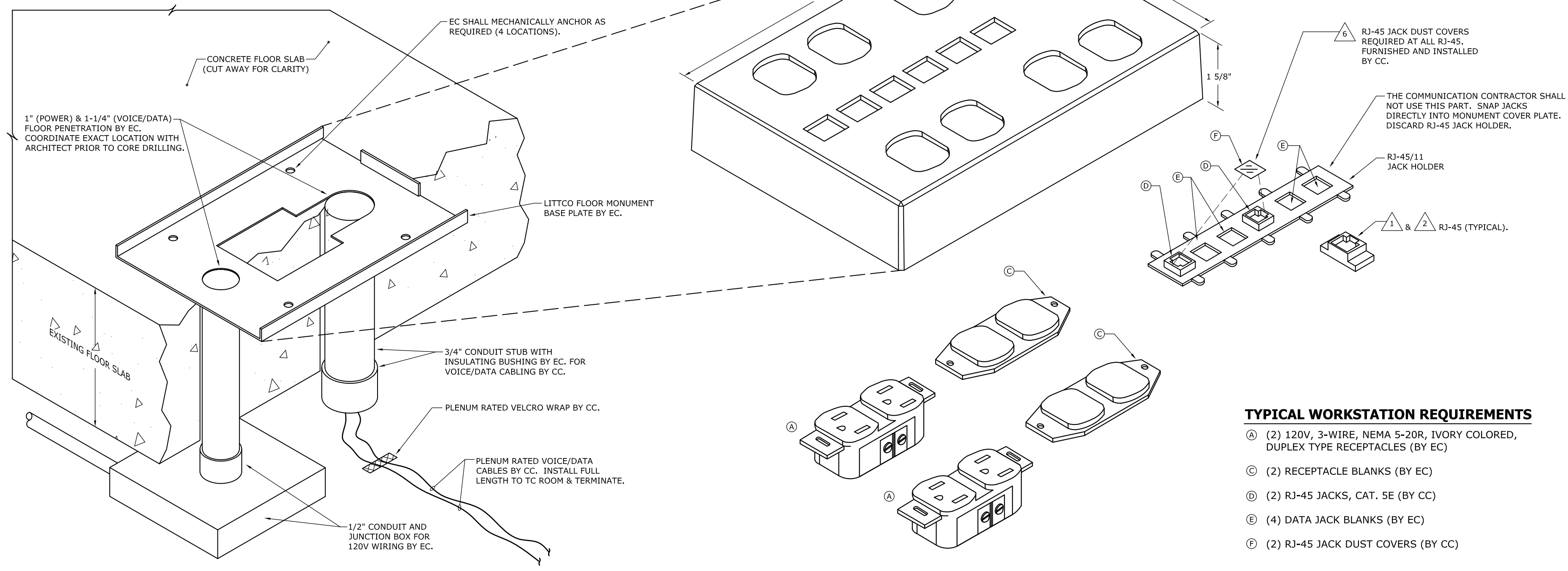
VOICE/DATA DESIGN



1 MONUMENT DEVICE LAYOUT AND LABELING DETAIL SCALE: NONE

NOTE:

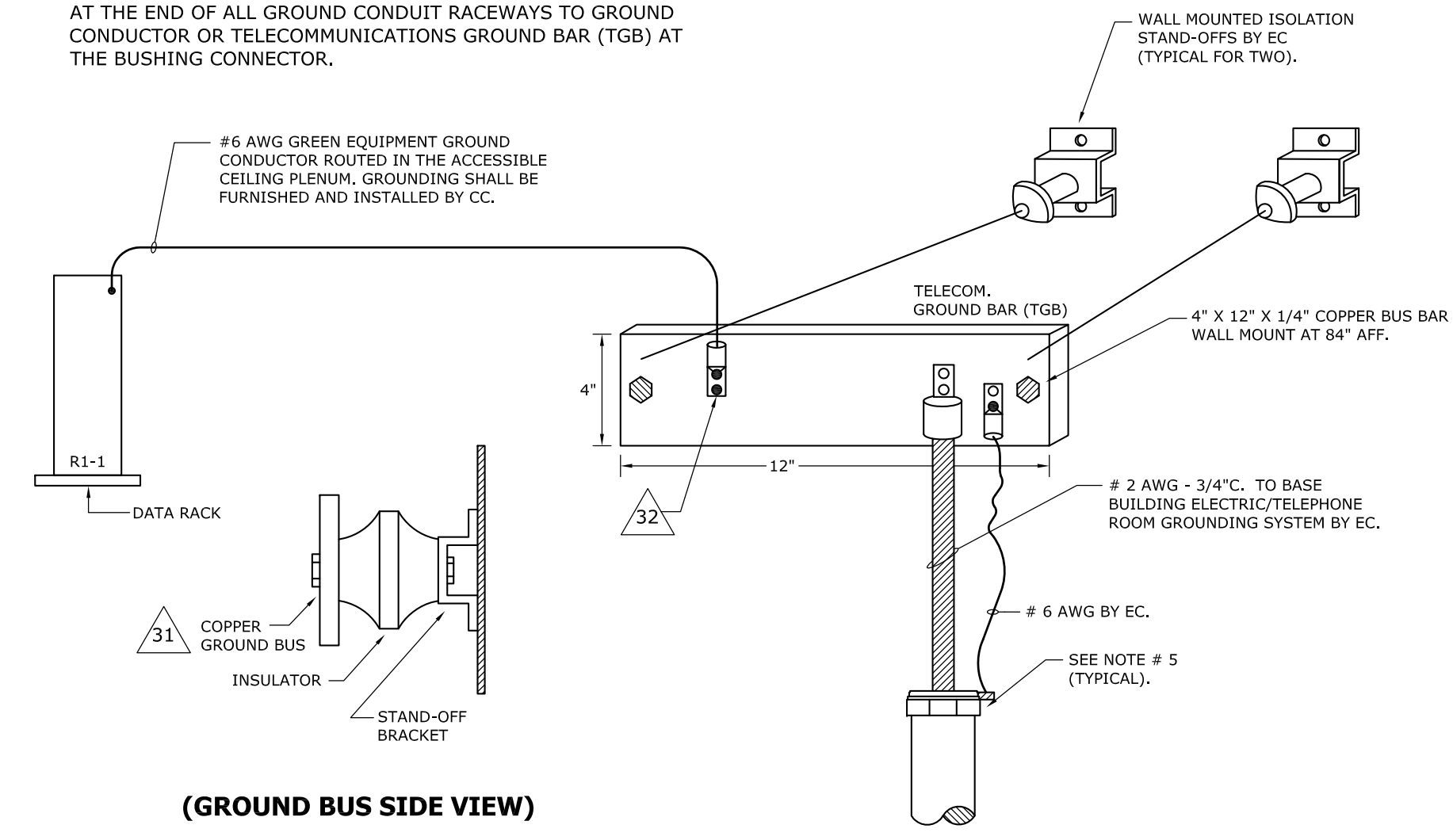
- LITTCO FLOOR MONUMENT (#PFF-12) IS BY EC. MATERIAL QUOTE SHALL BE OBTAINED FROM LITTCO INDUSTRIES INC., THE CONTACT PERSON IS: GARY LITREL (847-370-2572).



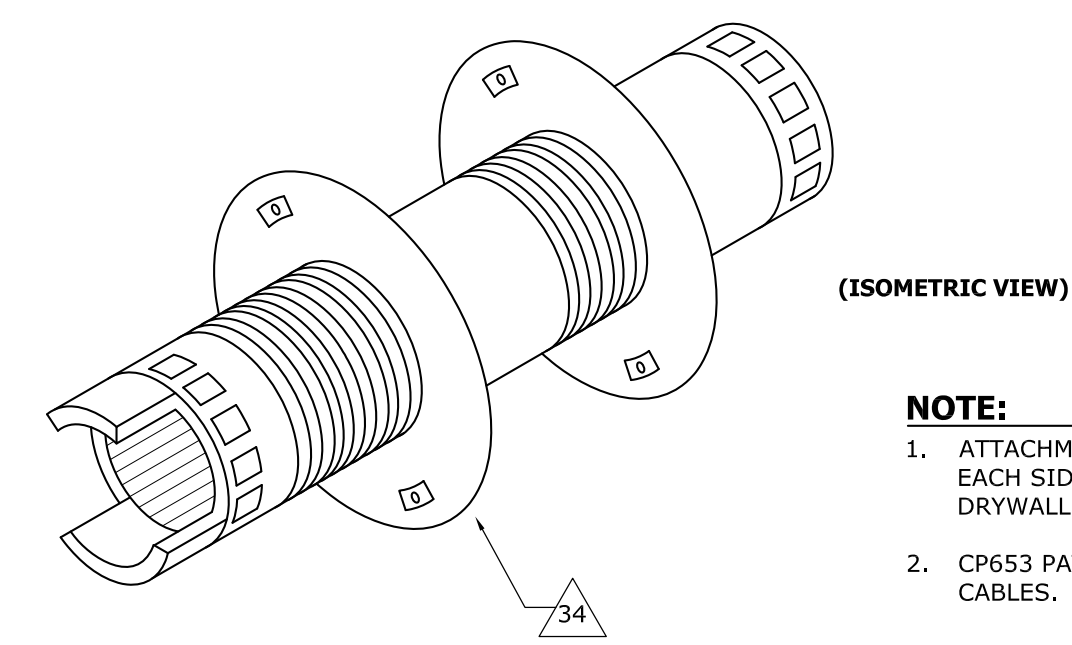
2 LITTCO FLOOR MONUMENT DETAIL - SYMBOL "X" SCALE: NONE

TELECOMMUNICATIONS GROUNDING NOTES

- ALL GROUNDING CONDUCTORS SHALL HAVE GREEN INSULATION.
- ALL GROUNDING TERMINATIONS SHALL MADE WITH U.L. LISTED COMPRESSION TYPE (HYPRESS) LUGS. MECHANICAL SCREW TYPE LUGS WILL NOT BE ACCEPTED.
- ALL LABOR AND MATERIAL ASSOCIATED WITH GROUNDING RISER AND TC ROOM GROUND BUS BAR SHALL BE PROVIDED BY THE EC.
- BRANCH GROUNDING CONDUCTORS SHALL BE FURNISHED AND INSTALLED BY CC.
- THE EC SHALL INCLUDE A UL LISTED GROUND CLAMP BUSHING AT THE END OF ALL GROUND CONDUIT RACEWAYS TO GROUND CONDUCTOR OR TELECOMMUNICATIONS GROUND BAR (TGB) AT THE BUSHING CONNECTOR.

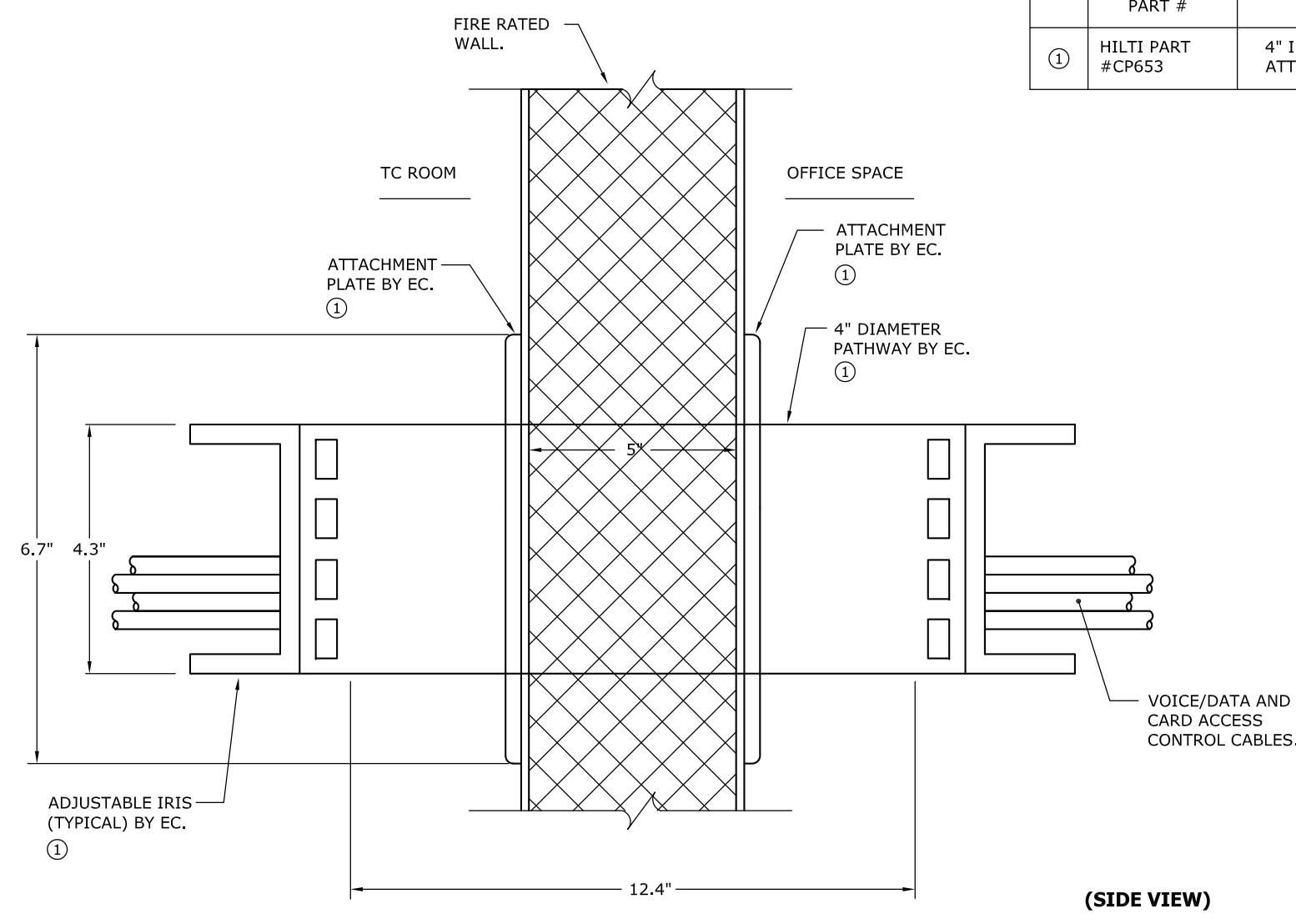


3 GROUNDING DETAIL (TC ROOM) SCALE: NONE

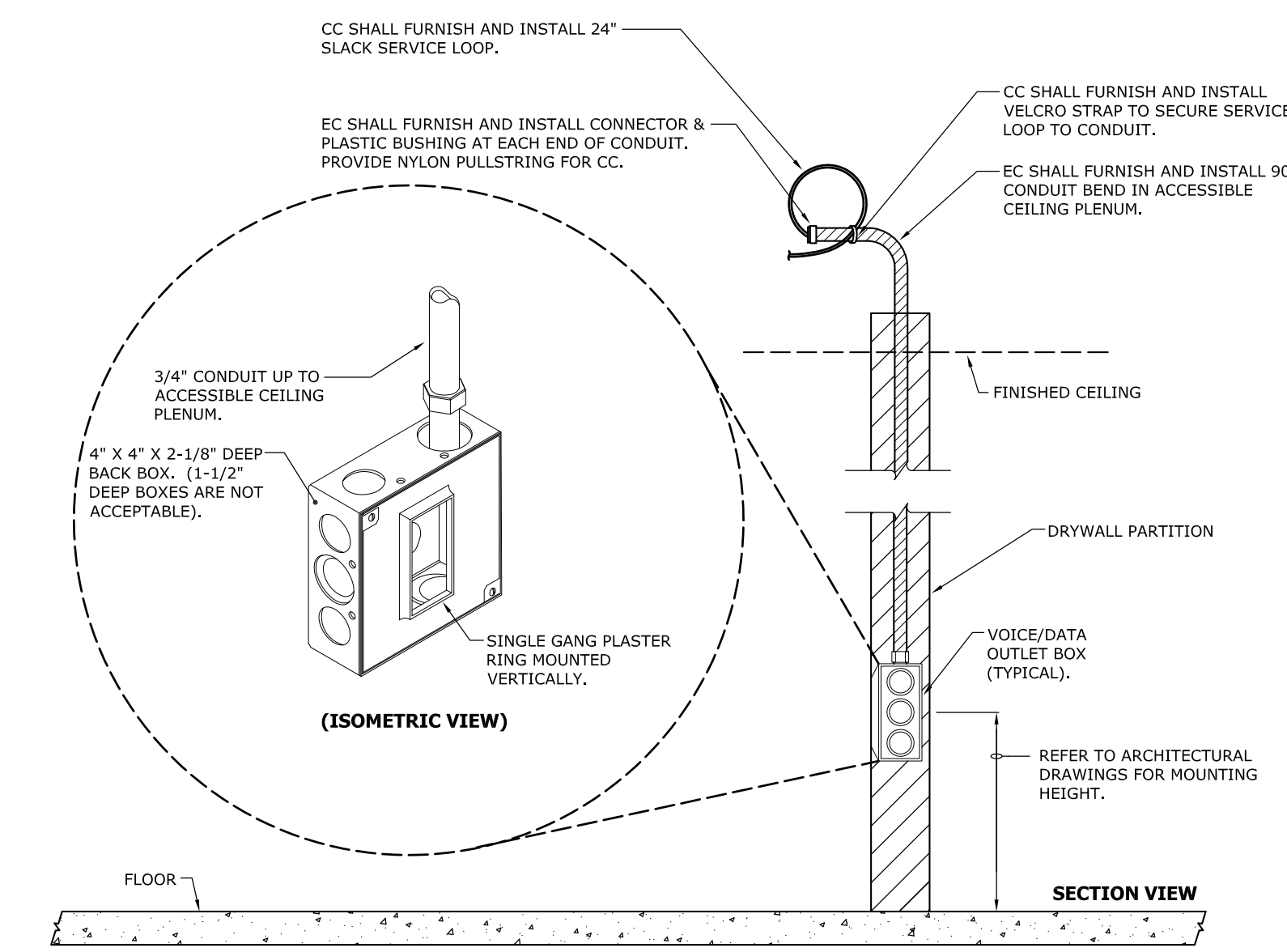


- NOTE:**
- ATTACHMENT PLATES ARE TO BE EVENLY THREADED FROM EACH SIDE OF THE WALL AND ANCHORED BY EC TO THE DRYWALL.
 - CP653 PATHWAY IS CAPABLE OF HOLDING 130 CAT 5E CABLES.

FIRESTOPPING SCHEDULE	
PART #	DESCRIPTION
① HULTI PART #CP653	4" IRIS WITH ATTACHMENT PLATE

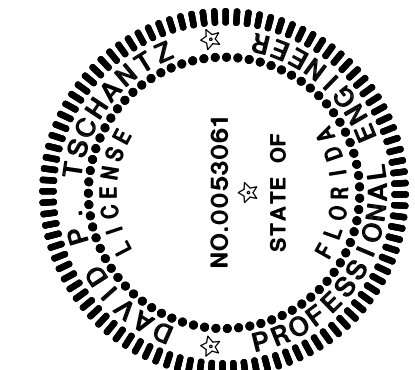


4 ACCESSIBLE CEILING FIRESTOPPING DETAIL (SYMBOL "I") SCALE: NONE



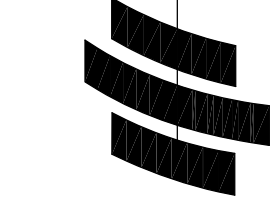
5 VOICE/DATA OUTLET DETAIL (SYMBOL "V") SCALE: NONE

149-11-01 (VD-4) ALLSTATE - W PALM BEACH FL - VOICE/DATA - DETAILS.DWG on 07/29/11 at 11:12 by MChidley



REVISIONS:

PETERS, TSCHANTZ & ASSOCIATES, INC.
 CONSULTING ENGINEERS
 275 SPRINGSIDE DR., SUITE 300
 AKRON, OHIO 44333
 PHONE 330-666-3702 FAX -4165
 www.ptaengineering.com



WEST PALM BEACH, FLORIDA
 LEGAL BUILDING
 1450 CENTREPARK BLVD.
 WEST PALM BEACH, FL 33401



VOICE/DATA DESIGN

DWN: PTA INC.

CKD: J.J.J.

DATE ISSUED:
8-2-11

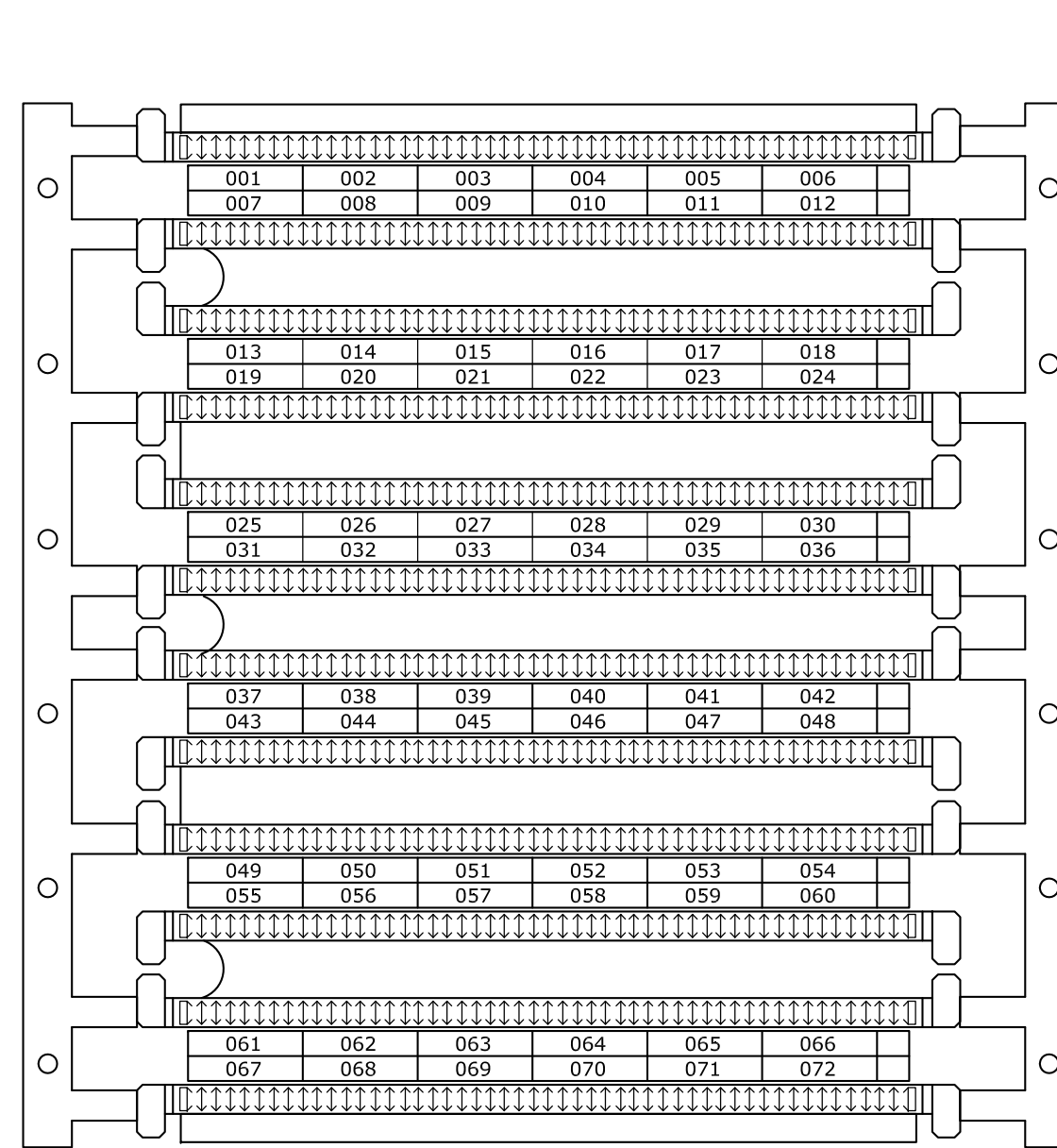
SHEET TITLE:
VOICE/DATA
DETAILS

DRAWING NUMBER:

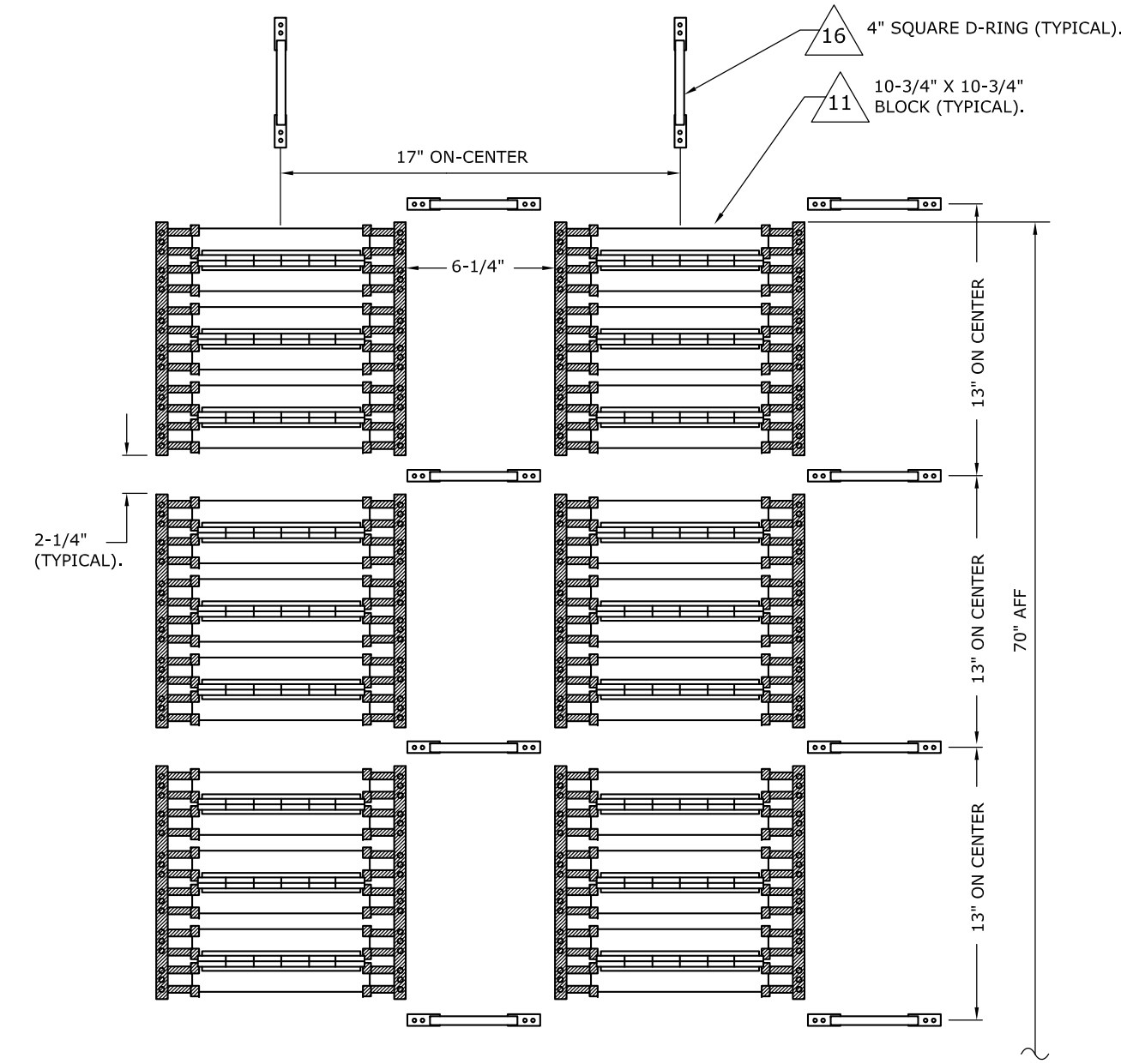
VD-5

NOTE:

1. THE NUMBER SEQUENCE MUST BE FROM THE LOWEST TO HIGHEST NUMBER STARTING, AT THE TOP LEFT.



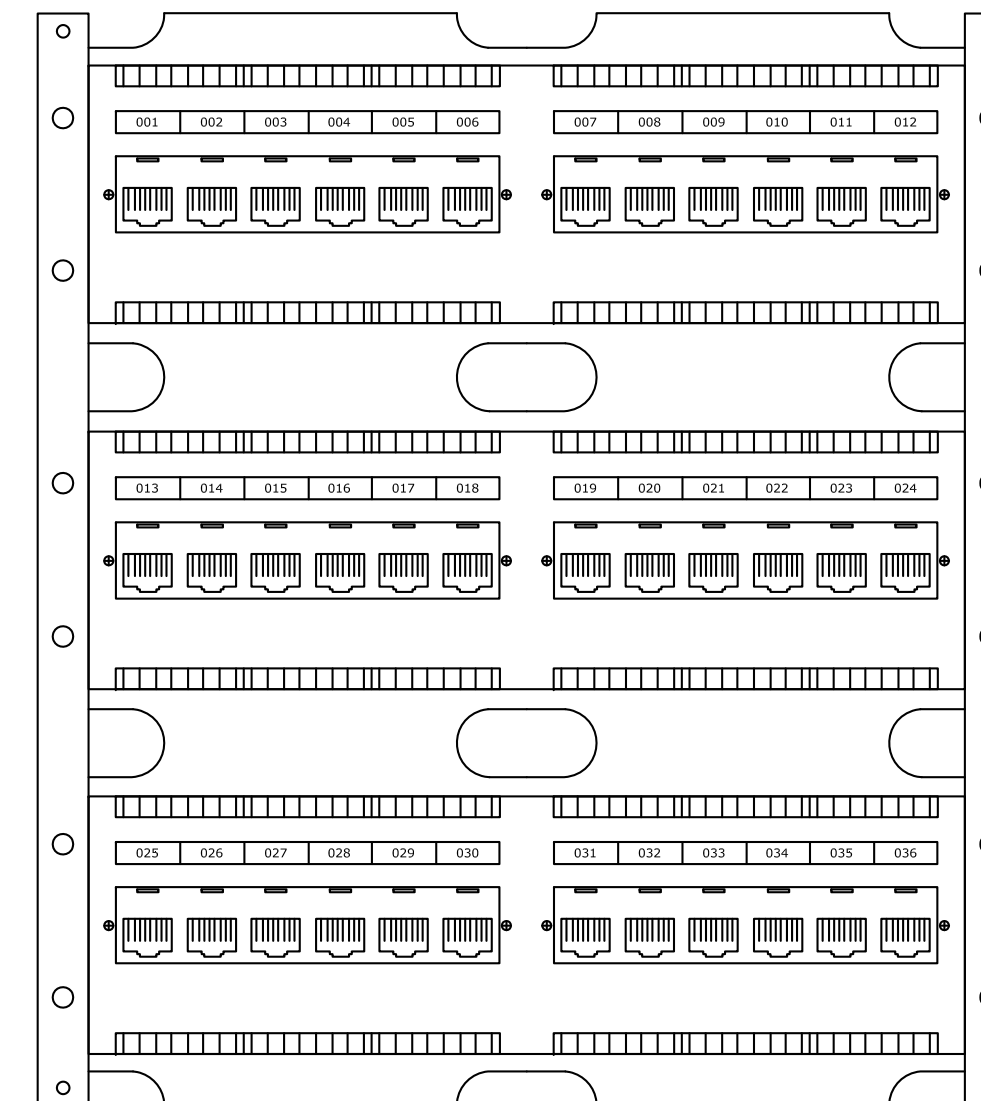
1 VOICE 110/300 BLOCK NUMBERING DETAIL SCALE: NONE



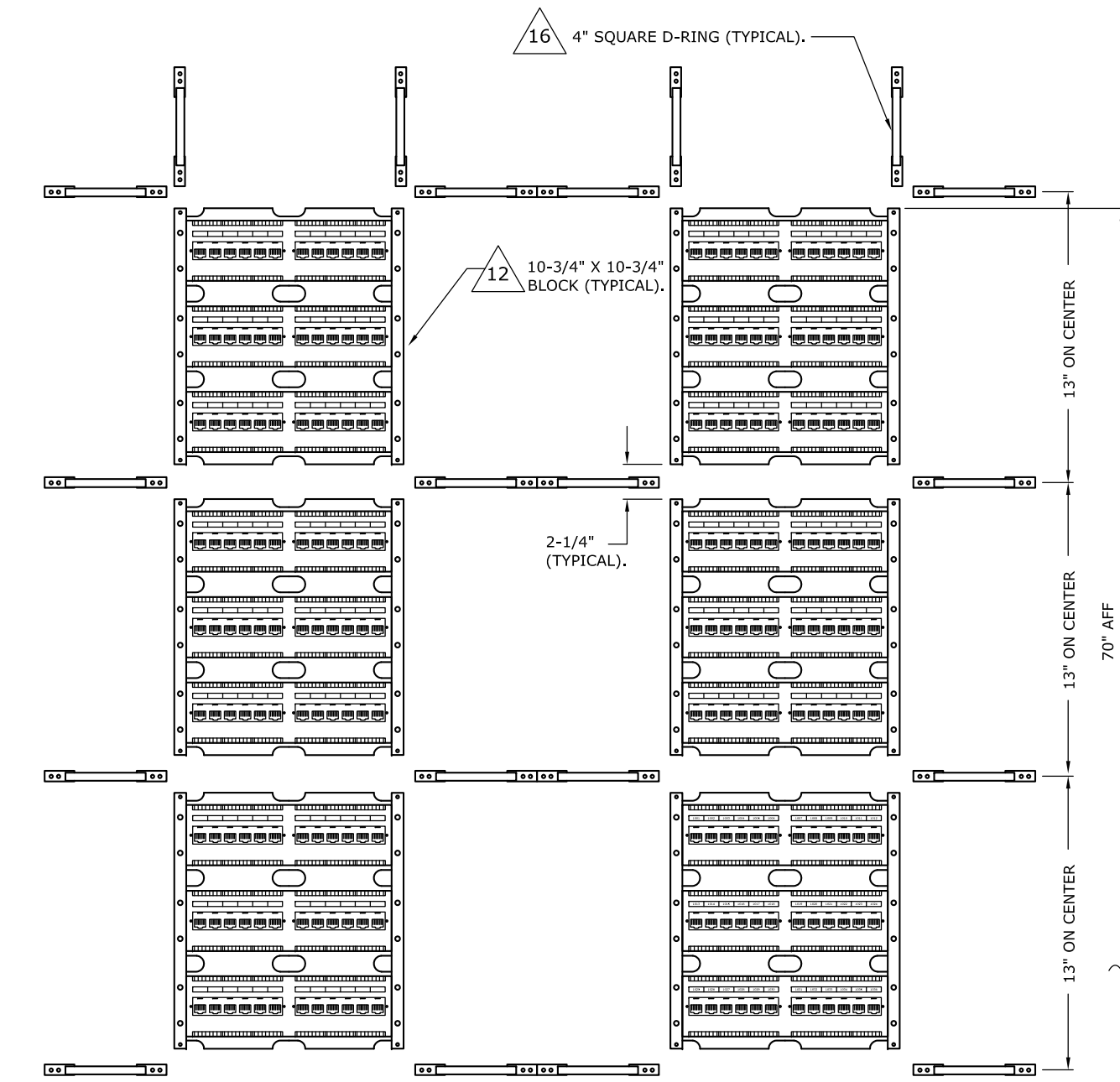
2 TYPICAL VOICE 110 BLOCK SPACING SCALE: NONE

NOTE:

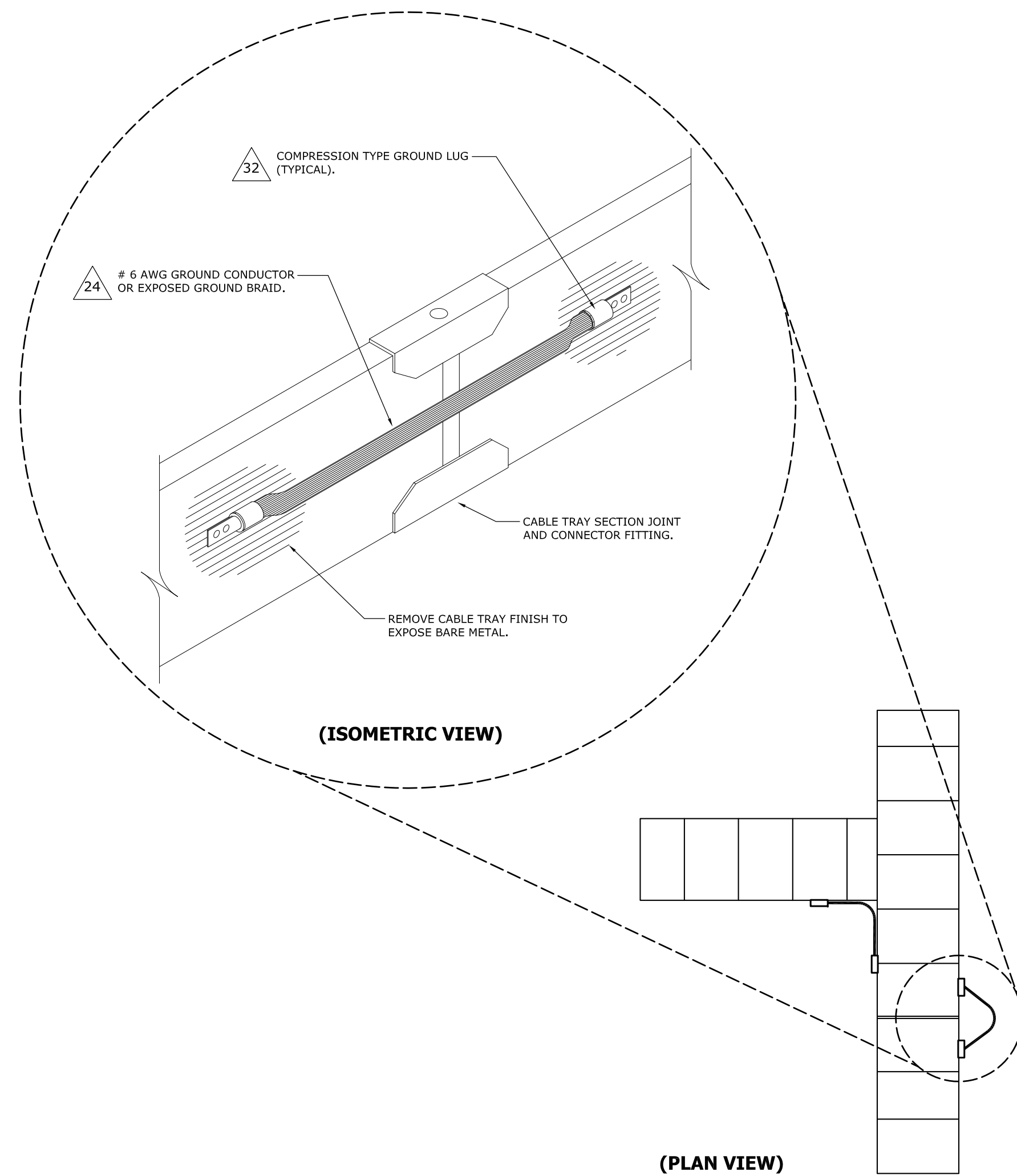
1. THE NUMBER SEQUENCE MUST BE FROM THE LOWEST TO HIGHEST NUMBER STARTING, AT THE TOP LEFT.
2. ACCESS POINTS SHALL BE LOCATED AT THE END OF THE NUMBERING SEQUENCE, AT THE BOTTOM RIGHT.



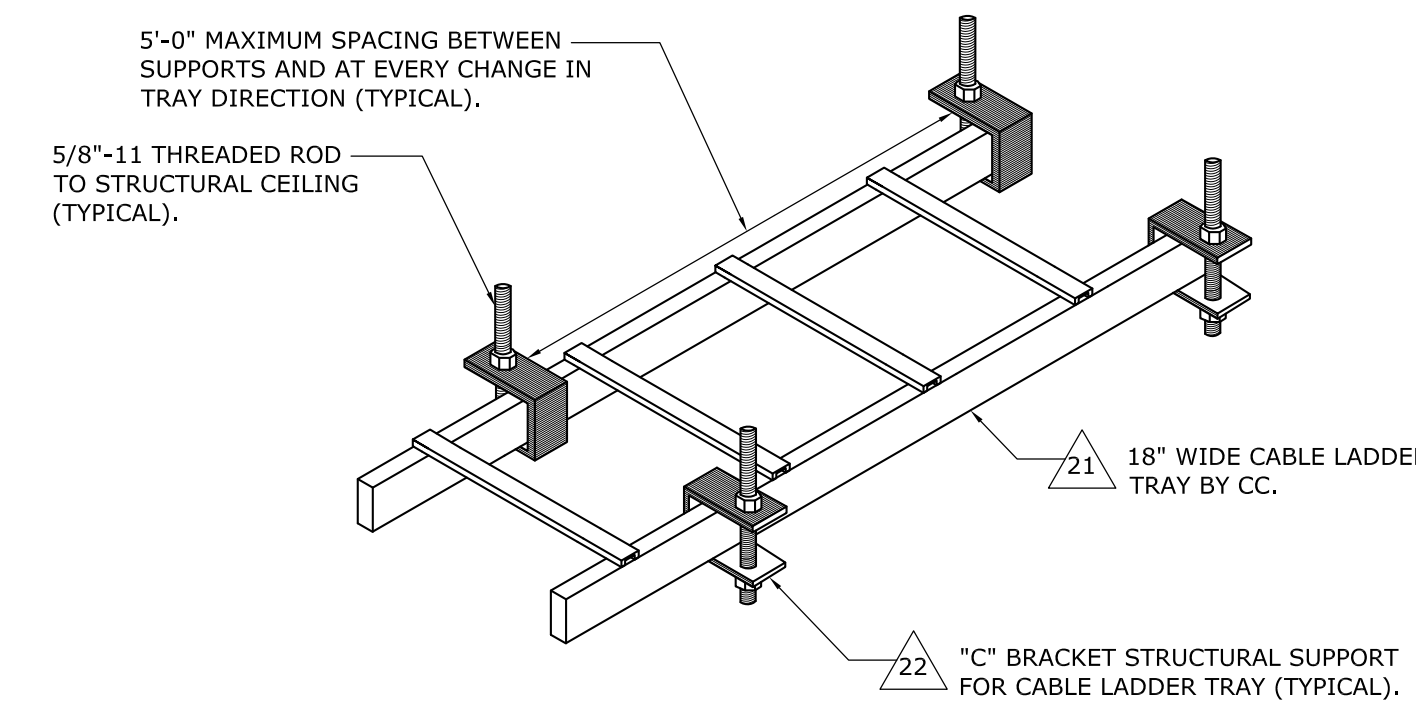
3 DATA 110-P JACK NUMBERING DETAIL SCALE: NONE



4 TYPICAL DATA 110-JACK PANEL SPACING SCALE: NONE



5 CABLE LADDER TRAY BONDING DETAIL (TYPICAL) SCALE: NONE

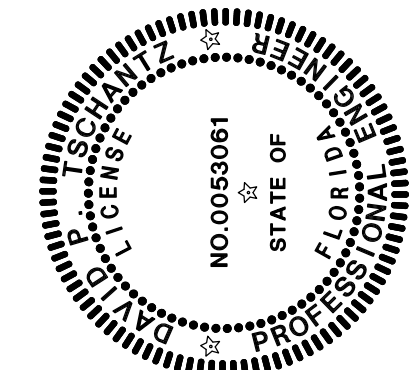


6 CABLE LADDER TRAY SUPPORT DETAIL SCALE: NONE

CABLE LADDER TRAY NOTES

1. THE CC SHALL FURNISH AND INSTALL STEEL CABLE LADDER TRAY AS SHOWN.
 - A. THE CABLE LADDER TRAY SHALL BE GENERALLY ROUTED AS SHOWN ON DRAWINGS. COORDINATE FINAL ROUTING AND ELEVATION IN THE FIELD.
 - B. SECURE THREADED RODS TO STRUCTURAL CEILING WITH CONCRETE ANCHORS (OR STEEL BEAM CLAMPS WHERE APPLICABLE).
 - C. PROVIDE ALL MISCELLANEOUS COMPONENTS FOR A COMPLETE CABLE TRAY SYSTEM. COMPONENTS SHALL INCLUDE BUT NOT BE LIMITED TO: STRAIGHT 90° AND "T" SECTIONS, STRAIGHT CLAMPS AND ADDITIONAL 14GA UNISTRUT AS REQUIRED TO TRAPEZE ROD SUPPORTS WHENEVER ROD CANNOT BE SECURED DIRECTLY ABOVE SUPPORT LOCATION.
2. CABLE TRAY SHALL BE UNIFORMLY SUPPORTED FROM BOTH SIDES AT EACH SUPPORT LOCATION (AS SHOWN).

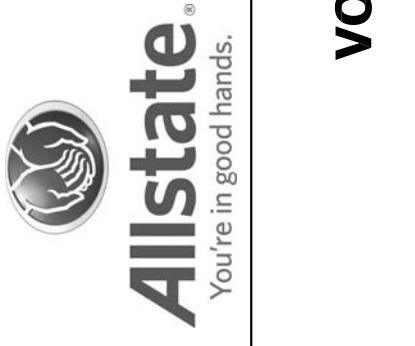
149-11-01 (VD-6) ALLSTATE - W PALM BEACH FL - VOICE/DATA - DETAILS: DWG ON 08/01/11 AT 16:32 BY DKM



REVISIONS:

PETERS, TSCHANITZ & ASSOCIATES, INC.
 CONSULTING ENGINEERS
 275 SPRINGSIDE DR., SUITE 300
 AKRON, OHIO 44333
 PHONE 330-666-3702 FAX -4165
 www.ptaengineering.com

WEST PALM BEACH, FLORIDA
LEGAL BUILDING
 1450 CENTREPARK BLVD.
 WEST PALM BEACH, FL 33401

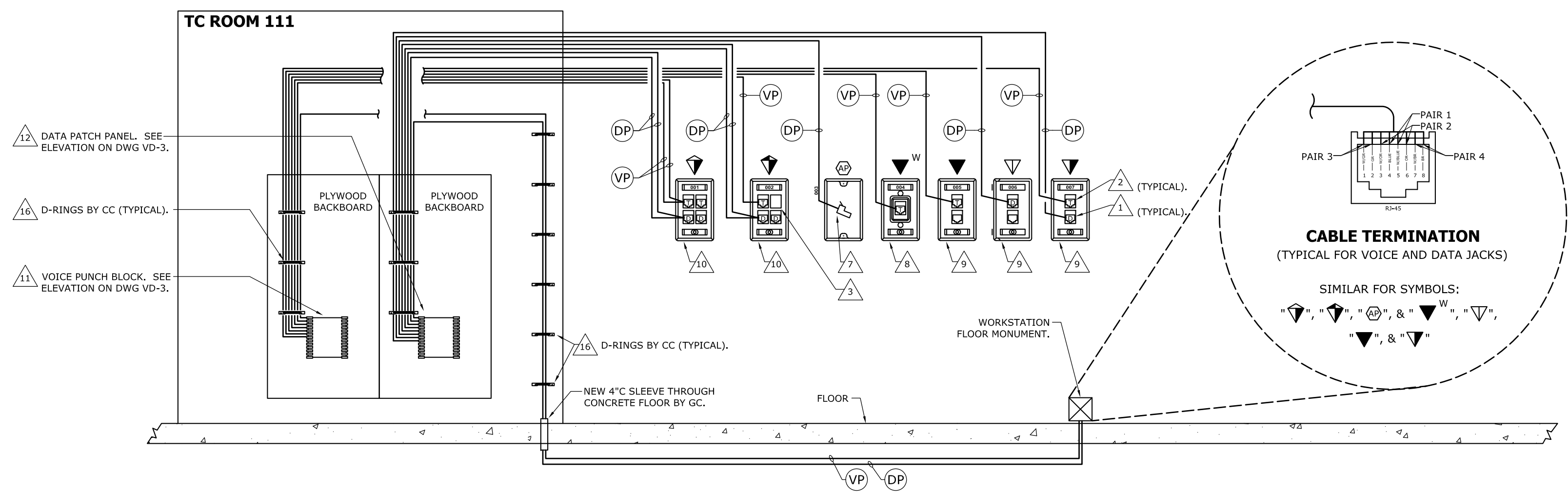


DWN: PTA INC.
 CKD: J.J.J.
 DATE ISSUED:
 8-2-11
 SHEET TITLE:
VOICE/DATA
DETAILS
 DRAWING NUMBER:
VD-6

ALLSTATE WEST PALM BEACH, FL COMMUNICATIONS EQUIPMENT SCHEDULE				
TAG	DESCRIPTION	COLOR & FINISH	MFR & MODEL NUMBER	COMPONENT QUANTITY ESTIMATED BY BIDDING CONSTRUCTION
1A	MODULAR 8-POSITION (RJ-45) UNIVERSAL CAT-5E EIA/TIA-568, NON-KEYED, UNSHIELDED JACK (FOR DATA)	WHITE	HUBBELL # HK5E	
2A	MODULAR 8-POSITION (RJ-45) UNIVERSAL CAT-5E EIA/TIA-568, NON-KEYED, UNSHIELDED JACK (FOR VOICE)	BLUE	HUBBELL # HK5EB	
3A	KEYSTONE SINGLE JACK BLANK INSERT FOR UNUSED WALL PLATE OPENINGS (PACK OF 10)	WHITE	HUBBELL # SFBW10	
4A	SNAP-IN IDENTIFICATION ICONS FOR DATA/VOIP JACKS (PACK OF 100)	WHITE	HUBBELL # R1100C	
5A	SNAP-IN IDENTIFICATION ICONS FOR VOICE JACKS (PACK OF 100)	BLUE	HUBBELL # IB100T	
6A	JACK DUST COVER FOR ALL RJ-45 JACKS INSTALLED WITHIN FLOOR MONUMENTS	N/A	HUBBELL # HXDC25	
7A	MODULAR 8-POSITION (RJ-45) UNIVERSAL CAT-5E EIA/TIA-568, NON-KEYED, UNSHIELDED PLUG (PACK OF 25)	CLEAR	HUBBELL # BRMOD4PSN25	
8A	1-PORT, 1-GANG WALL PHONE FACEPLATE	STAINLESS STEEL	HUBBELL # P630SR1GJ8	
9A	2-PORT, 1-GANG LOW PROFILE FACEPLATE	WHITE	HUBBELL # IFP12W	
10A	4-PORT, 1-GANG LOW PROFILE FACEPLATE	WHITE	HUBBELL # IFP14W	
11A	110 STYLE / 300 PAIR (288 USABLE), WALL MOUNTING PUNCHBLOCK ASSEMBLY WITH "C4" CONNECTING BLOCKS (FOR VOICE STATION CABLE TERMINATIONS)	IVORY	SIEMON # S110AB2-300FT	
12A	110 STYLE / 144 PAIR, WALL MOUNTING PUNCHBLOCK ASSEMBLY WITH 36, RJ-45, CAT-5E EIA/TIA-568A JACKS (FOR DATA TERMINATIONS)	BLACK	ORTRONICS # OR-851044562	
13A	19"W X 84"H X 24" DEEP 2-POST RACK WITH STEEL FRAME AND RAILS WITH EIA MOUNTING PATTERN (MIGHTY MO-III)	BLACK	ORTRONICS # OR-60400169	
14A	19"W X 3-1/2"H (2U) HORIZONTAL CABLE MANAGEMENT BRACKET	BLACK	HUBBELL # HC219ME6N	
15A	6"W X 83" HIGH VERTICAL CABLE MANAGEMENT BRACKET	BLACK	HOMACO # VO-84-T6E	
16A	4" WIDE WALL/FLOOR MOUNTING CLOSED LOOP SQUARE METAL D-RINGS.	GRAY	SENIOR INDUSTRIES # SI-4754	
17A	3/4"W X 12" LONG PLENUM RATED VELCRO CABLE MANAGEMENT TIE-STRAPS (PACK OF 10)	BLACK	PANDUIT # HISP3S-X0	
18A	METAL J-HOOK CABLE SUPPORT DEVICE WITH 3/4" DIAMETER LOOP (PACK OF 100)	GALVANIZED METAL	ERICO/CADDY: CABLECAT # CAT12	
19A	METAL J-HOOK CABLE SUPPORT DEVICE WITH 2" DIAMETER LOOP (PACK OF 50)	GALVANIZED METAL	ERICO/CADDY: CABLECAT # CAT32	
20A	ADJUSTABLE CLOTH CABLE SUPPORT WRAP FOR UP TO 425 4-PAIR CAT 5E CABLES (PACK OF 20)	BLACK	ERICO/CADDY: CABLECAT # CAT425	
21A	18"W X 1-1/2" HIGH STEEL CABLE LADDER TRAY WITH POWDERCOAT FINISH FOR OVERHEAD CABLE MANAGEMENT	FLAT BLACK	B-LINE # SB-17-18-FB	
22A	CABLE LADDER TRAY C-CHANNEL BRACKET CEILING SUPPORT KIT	BLACK	B-LINE # SB-2116-ABZ	
23A	CABLE LADDER TRAY ANGLE BRACKET WALL SUPPORT KIT	FLAT BLACK	B-LINE # SB-2113-18-FB	
24A	CABLE LADDER TRAY GROUNDING STRAP	COPPER	B-LINE # SB-669-1X7 3/4	
25A	CABLE LADDER TRAY / RACK SUPPORT BRACKET (ONE PER 19" RACK)	BLACK	ORTRONICS # OR-60400429	
26A	CABLE LADDER TRAY SUPPORT BRACKET PLATE (ONE PER 19" RACK)	BLACK	ORTRONICS # OR-60400430	
27A	5-CHANNEL MONITOR PANEL WITH 3" SPEAKER	BLACK	ATLAS SOUND # MVX-193	
28A	2-CHANNEL DSP SOUND MASKING GENERATOR	BLACK	ATLAS SOUND # ASP-MG24	
29A	SOUND MASKING SPEAKER	WHITE	ATLAS SOUND # M1000-W	
30A	2-CHANNEL AMPLIFIER	BLACK	CROWN # CTS-600	
31A	4"x12"x1/4" COPPER TELECOMMUNICATIONS GROUND BUS BAR	COPPER	HARGER # TGBI-14412TMGB	
32A	# 6 AWG COMPRESSION TYPE TWO-HOLE GROUNDING LUG (FOR BONDING TO RACKS, OVERHEAD CABLE LADDER TRAY, CABINET OR CONSOLES, ETC.)	COPPER	PANDUIT # LCC6-14JAW-L	
33A	FIRE STOPPING MATERIAL	RED	HLTI # WL1054	
34A	4" FIRE STOPPING SPEED SLEEVE WITH ADJUSTABLE IRIS	RED	HLTI # CP653	
VOICE/DATA CABLE SCHEDULE				
TAG	DESCRIPTION	COLOR & FINISH	MFR & MODEL NUMBER	
DP	CAT-5E, 4-PAIR #24 AWG WITH PLENUM RATED OVERALL JACKET (FOR DATA)	WHITE	BERK-TEK LANMARK 350 # 10032072	
VP	CAT-5E, 4-PAIR #24 AWG WITH PLENUM RATED OVERALL JACKET (FOR VOICE)	BLUE	BERK-TEK LANMARK 350 # 10032065	
PATCH CORD SCHEDULE				
TAG	DESCRIPTION	COLOR & FINISH	MFR & MODEL NUMBER	
P1	10-FOOT CAT-5E UTP PATCH CORD (FOR DATA AT RACK) - ASSUME 68 FOR BID	WHITE	HUBBELL # PCX5EW10	
P2	10-FOOT CAT-5E UTP PATCH CORD (FOR VOICE AT RACK) - ASSUME 68 FOR BID	BLUE	HUBBELL # PCX5EB10	
P3	15-FOOT CAT-5E UTP PATCH CORD (FOR VOICE/DATA AT WORKSTATIONS) - 72 FOR BID	WHITE	HUBBELL # PCX5EW15	
SOUND MASKING CABLE SCHEDULE				
TAG	DESCRIPTION	COLOR & FINISH	MFR & MODEL NUMBER	
S	2-PAIR #16 AWG WITH PLENUM RATED OVERALL JACKET (FOR SOUND MASKING)	GRAY	WEST PENN # 25245B	
BID PRICING REQUIREMENTS				TOTALS TO BE LISTED BY BIDDING CONTRACTOR
GRAND TOTAL SELL PRICE INCLUDING CAT 5E SYSTEM WITH ALL LABOR, PERMITS AND PATCH CORD INSTALLATION				
SLIB TOTAL BREAK-OUTS				
BREAK-OUT VOICE/DATA SYSTEM LABOR ONLY				
BREAK-OUT VOICE/DATA MATERIAL ONLY				
BREAK-OUT SOUND MASKING SYSTEM LABOR ONLY				
BREAK-OUT SOUND MASKING SYSTEM MATERIAL ONLY				
UNIT PRICE # 1: (VOICE/DATA OUTLET) PROVIDE THE COST FOR ALL LABOR AND MATERIALS TO ADD/DUPLICATE ONE TYPICAL 2-PORT, 2 JACK, 2 CABLE WALL MOUNTED VOICE/DATA OUTLET. THIS COST SHALL ASSUME 300-FEET OF CABLE LENGTH FROM THE TC ROOM TO THE WORK AREA OUTLET. ADDITIONAL WORK REQUIRED BY THE EC INCLUDING OUTLET BOX, CONDUIT STUB TO ACCESSIBLE CEILING SPACE, SUPPORTS, BUSHINGS, ETC. SHALL BE QUOTED SEPARATELY BY THE EC.				
UNIT PRICE # 2: (FLOOR MONUMENT) PROVIDE THE COST FOR ALL LABOR AND MATERIALS TO ADD/DUPLICATE ONE TYPICAL 2 JACK, 2 CABLE FLOOR MONUMENT OUTLET. THIS COST SHALL ASSUME 300-FEET OF CABLE LENGTH FROM THE SERVER TC ROOM TO THE WORK AREA OUTLET. ADDITIONAL WORK REQUIRED BY THE EC INCLUDING MONUMENT INSTALLATION, OUTLET BOX, CORE DRILLING, STUB-UPS, SUPPORTS, BUSHINGS, ETC. SHALL BE QUOTED SEPARATELY BY THE EC.				
ESTIMATED TOTAL MAN HOURS				
LIST HORIZONTAL UTP CABLE TEST EQUIPMENT TO BE USED				

COMMUNICATIONS CABLE SCHEDULE	
TYPE	DESCRIPTION
DP	DATA CABLE (PLENUM) - 4-PAIR CATEGORY 5E, 24 AWG, WITH WHITE OUTER JACKET.
VP	VOICE CABLE (PLENUM) - 4-PAIR CATEGORY 5E, 24 AWG, WITH BLUE OUTER JACKET.

NOTES:
 1. ROUTE VOICE/DATA CABLES IN ACCESSIBLE CEILING PLENUM OF FLOOR BELOW FOR ALL FLOOR MONUMENTS.



1 TELECOMMUNICATION CONNECTIVITY SCHEMATIC

SCALE: NONE

TC ROOM READY NOTES:

- TC ROOM MUST BE READY FOR THE OWNERS IT EQUIPMENT 2 WEEKS PRIOR TO MOVE IN.
- TC ROOM "READY FOR ALLSTATE" IS DEFINED AS: GC AND GC MANAGED SUBS INCLUDING EC AND MC RESPONSIBILITY:
 - ALL WALL AND FLOORING FINISHES COMPLETE.
 - WALL MOUNTED PLYWOOD COMPLETE.
 - ROOM IS CLEAN AND DUST FREE. INCLUDES REMOVAL OF DUST FROM RACKS AND CABINETS.
 - DOOR IS LOCKABLE.
 - AC COOLING SYSTEM OPERATIONAL AND RUNNING WITH THE STARTUP CERTIFICATION COMPLETE BY MANUFACTURER. NOTE: FILTERS SHOULD BE REPLACED PRIOR TO TURNOVER.
 - UPS SYSTEM INSTALLED, ALL BRANCH POWER FEEDERS AND RACK PLUG STRIPS INSTALLED AND SYSTEM OPERATION WITH CERTIFICATION STARTUP COMPLETE.
 - PRIOR TO SCHEDULING LIEBERT GLOBAL SERVICES FOR UPS START-UP, THE FOLLOWING ITEMS SHOULD BE COMPLETED:
 - PERMANENT BUILDING POWER IS AVAILABLE.
 - ALL UPS INPUT CONDUITS AND OVER-CURRENT PROTECTION HAVE BEEN INSTALLED.
 - THE UPS IS INSTALLED IN ITS FINAL LOCATION AND ALL FINAL OUTPUT CONNECTIONS HAVE BEEN INSTALLED.
 - NO OTHER CONTRACTORS SHALL BE ALLOWED WITHIN THE TC ROOM DURING UPS START-UP.
 - IF A LIEBERT CE IS DELAYED IN PERFORMING THE UPS START-UP DUE TO ANY OF THE ITEMS ABOVE, THE EC SHALL BE FINANCIALLY RESPONSIBLE.
 - CONTACT THE UPS VENDOR TO SCHEDULE DELIVERY OF THE UPS TO THE SITE. CONTACT: JOHN KAROL, PHONE: 847-541-1129 EXT. 245.
 - ALL PERMANENT LIGHTING COMPLETE.
 - CONDUIT PENETRATIONS AND FIRE STOPPING COMPLETE.
 - GROUND BUS BAR INSTALLED.
 - FIRE PROTECTION SYSTEMS COMPLETE AND TESTED.
- ALLSTATE MANAGED CC RESPONSIBILITY:
 - ALL HORIZONTAL CABLING TO THE WORK AREA OUTLET INSTALLED AND TESTED.
 - ALL RACKS AND WIRE MANAGEMENT INSTALLED.
 - BRANCH GROUNDING CONDUCTORS INSTALLED.
 - PATCH CORDS ON-SITE AND PACKAGE LABELED.
- THE GC SHALL NOTIFY THE ALLSTATE PROJECT MANAGER OF ENGINEER IMMEDIATELY IF WORK CANNOT BE COMPLETED PRIOR TO THE DATES INDICATED.

TELECOMMUNICATIONS SPECIFICATIONS

- PROJECT DESCRIPTION:
 - THIS PROJECT INVOLVES THE BUILD OUT OF THE ALLSTATE WEST PALM BEACH, FL BUILDING AT 1450 CENTREPARK BLVD, WEST PALM BEACH, FLORIDA. THE SCOPE OF THESE DOCUMENTS ARE LIMITED TO THE TELECOMMUNICATIONS SYSTEM FOR VOICE/DATA.
- CODES AND STANDARDS:
 - ALL MATERIALS AND INSTALLATION SHALL COMPLY WITH THE NATIONAL AND LOCAL CODES AND LAWS OF THE FEDERAL, STATE, AND LOCAL AUTHORITIES HAVING JURISDICTION.
- APPLICABLE CODES:

NATIONAL ELECTRICAL CODE (NEC-2011), AMERICAN NATIONAL STANDARDS INSTITUTE (ANSI) TELECOMMUNICATIONS INDUSTRY ASSOCIATION (TIA) INTERNATIONAL BUILDING CODE (IBC) - 2009 ELECTRONICS INDUSTRIES ASSOCIATION (EIA) - SECTIONS: 568B.1, 2.3, 568A-REV.5, 569, 606, 607, 526-14, TSB-72 AND TSB-95. INTERNATIONAL ORGANIZATION FOR STANDARDIZATION (ISO) / INTERNATIONAL ELECTROTECHNICAL COMMISSION (IEC) - 11801
- GENERAL REQUIREMENTS:
 - ALL PRODUCTS AND MATERIALS SHALL BE NEW UNLESS NOTED OTHERWISE, AND SHALL BE CLEAN AND FREE OF DEFECTS, DAMAGE AND CORROSION.
 - ALL PRODUCTS AND MATERIALS SHALL BE LISTED AND LABELED BY UL, CSA, ETL, OR ANOTHER LABELED TEST BODY.
 - THE EC AND CC IS RESPONSIBLE FOR OBTAINING AND PAYMENT OF ALL PERMITS, INSPECTIONS, TESTS, ETC., NECESSARY FOR THE PROPER EXECUTION AND COMPLETION OF ALL ELECTRICAL WORK REQUIRED TO OBTAIN CERTIFICATE OF OCCUPANCY.
 - THE EC AND CC SHALL NOTIFY THE ARCHITECT/ENGINEER IMMEDIATELY OF ANY FIELD CONFLICTS, UNSUITABLE MATERIALS, DIMENSIONAL INCONSISTENCIES WHICH AFFECT THE DESIGN INTENT AND/OR FUNCTIONALITY OF THE ELECTRICAL SYSTEM.
 - THE EC AND CC SHALL INCLUDE PROVISIONS FOR PREMIUM TIME WORK FOR ANY REQUIRED SHUTDOWNS. INCLUDE PREMIUM TIME HOURLY RATE IN BID.
 - THE EC AND CC SHALL PROVIDE A WRITTEN, ONE YEAR GUARANTEE OF ALL WORK AND MATERIAL UPON PROJECT COMPLETION AND ACCEPTANCE.
 - THIS CONTRACTOR SHALL BE RESPONSIBLE FOR COMPLYING WITH ALL BUILDING STANDARDS, RULES AND REGULATIONS.
 - REFER TO ARCHITECTURAL PLANS AND DETAILS FOR:
 - ROOM NAMES AND NUMBERS
 - MOUNTING HEIGHTS OF ALL ELECTRICAL DEVICES.
 - DIMENSIONS AND FINAL LOCATIONS OF FURNITURE AS RELATED TO ELECTRICAL DEVICES.
 - ALL WORK SHALL BE PERFORMED IN A NEAT AND WORKMANLIKE MANNER. ALL CONDUIT, JUNCTION BOXES, HANGERS, SUPPORT CHANNELS, ETC. SHALL BE INSTALLED STRAIGHT AND/OR PERPENDICULAR TO BUILDING CONSTRUCTION. SPECIAL CARE SHALL BE TAKEN TO ALIGN HANGING DEVICES AT EXPOSED "OPEN" CEILING.
- CONTRACTOR REQUIREMENTS:
 - THE CC MUST BE PRE-QUALIFIED BY ALLSTATE. UNSOLICITED BIDS WILL NOT BE ACCEPTED.
 - THE BIDDING CONTRACTOR MUST BE CERTIFIED IN ONE OF THE FOLLOWING SOLUTIONS:
 - SUREBIT - HUBBELL/MOHAWK
 - NETCLEAR - BERK-TEK/ORTHOWICS
 - THE CC MUST EMPLOY A BICSI CERTIFIED RCD (REGISTERED COMMUNICATION DISTRIBUTION DESIGNER).
 - NOTE: THIS PROJECT DOES NOT REQUIRE VENDOR CERTIFICATION. THE ABOVE CERTIFICATION REQUIREMENT IS FOR CONTRACTOR QUALIFICATION PURPOSES ONLY.
- ACCEPTANCE OF MATERIAL:
 - THE CC SHALL INCLUDE THE MISCELLANEOUS LABOR AND MANAGEMENT TIME TO ACCEPT DELIVERY OF THE MATERIAL INCLUDED WITHIN THE VOICE/DATA DRAWINGS AND SAFELY STORE THIS EQUIPMENT ON THE CONSTRUCTION SITE OR AT THEIR WAREHOUSE.
 - ADDITIONAL TRANSPORTATION COSTS FOR RELOCATING THIS EQUIPMENT AFTER RECEIPT BY THE CONTRACTOR THE MATERIAL IS THE CONTRACTORS RESPONSIBILITY.
 - PHASING OF MATERIAL QUANTITIES AND DELIVERY COORDINATION WILL ALSO BE THE RESPONSIBILITY OF THE CC.
- CABLE MANAGEMENT:
 - THE CONTRACTOR SHALL BE RESPONSIBLE FOR PROPERLY SUPPORTING AND MANAGING ALL EXPOSED AND CONCEALED VOICE/DATA CABLING.
 - THE HORIZONTAL CABLING SHALL BE ROUTED IN THE ACCESSIBLE CEILING PLENUM AND BELOW THE STRUCTURAL FLOOR IN THE ACCESSIBLE CEILING PLENUM OF THE FLOOR BELOW. THESE CABLE ROUTES SHALL BE INSTALLED ADJACENT TO ELECTRIC HOMERUNS AND PARALLEL TO FLOOR BUILDING LINES.
 - ALL CABLES INSTALLED IN THE ACCESSIBLE CEILING PLENUM SHALL BE SUPPORTED VIA METAL J-HOOKS SECURED TO THE STRUCTURAL CEILING.
 - THE MAXIMUM J-HOOK SPACING IS 4- FEET. THE MAXIMUM NUMBER OF 4-PAIR CABLES PER J-HOOK IS 16 (3/4" HOOK) AND 80 (2" HOOK).
 - WHERE CABLE QUANTITIES EXCEED 2" J-HOOK CAPACITY, CLOTH HANGERS SHALL BE USED. THE MAXIMUM NUMBER OF 4-PAIR CABLES PER CLOTH HANGER IS 425.
 - VELCRO STRAPS SHALL BE USED AT ALL EXPOSED CABLE LOCATIONS WITHIN THE TO ROOM. PLASTIC TIE-WRAPS SHALL NOT BE USED.
 - VELCRO STRAPS SHALL BE USED TO SECURE CABLES TO EVERY OTHER J-HOOK AND AT EVERY CHANGE IN CABLE DIRECTION. PLASTIC TIE-WRAPS SHALL NOT BE USED.
- WORK AREA CONNECTIVITY REQUIREMENTS:
 - WALL MOUNTED PHONE OUTLETS: ONE (1) VOICE RJ-45 OUTLET.
 - LITTCO MONUMENT OUTLETS: ONE (1) DATA RJ-45 JACK AND ONE (1) VOICE RJ-45 JACK.
 - TYPICAL WALL MOUNTED VOICE/DATA OUTLETS (EXCLUDING TRAINING ROOMS 105 & 108): ONE (1) DATA RJ-45 JACK AND ONE (1) VOICE RJ-45 JACK.
 - TRAINING RM 105 VOICE/DATA OUTLETS: TWO (2) DATA RJ-45 JACKS AND TWO (2) VOICE RJ-45 JACKS.
 - TRAINING RM 108 VOICE/DATA OUTLETS: TWO (2) DATA RJ-45 JACKS AND ONE (1) VOICE RJ-45 JACK.
 - ALL STATIONS TO BE TERMINATED USING 568A PIN-OUT CONFIGURATION.
 - PROVIDE 15FT WORK AREA PATCH CORDS: ONE (1) PER OUTLET PLUS 5% SPARE.
 - REFER TO STATION IDENTIFICATION PARAGRAPH OF THESE SPECIFICATIONS FOR REQUIRED LABELING.
- HORIZONTAL TRANSMISSION MEDIA:
 - VOICE (PLENUM): 4-PAIR #24 AWG CATEGORY 5E, WITH PLENUM RATED BLUE OUTER JACKET.
 - DATA (PLENUM): 4-PAIR #24 AWG CATEGORY 5E, WITH PLENUM RATED WHITE OUTER JACKET.
- DATA ACTIVATION PATCH CABLES:
 - THE CC SHALL FURNISH ALL DATA ACTIVATION PATCH CABLES BETWEEN THE WALL MOUNTED PATCH PANELS AND THE RACK MOUNTED NETWORK SWITCHES.
 - PATCH CABLES SHALL BE RJ-45 TO RJ-45, FACTORY MANUFACTURED, TESTED AND UL LISTED FOR CAT-5E PERFORMANCES.
 - MANUFACTURER AND MODEL NUMBER OF PATCH CORDS MUST MATCH THE CABLE VENDOR SYSTEM RATING.
 - THE OWNER SHALL IDENTIFY PORT LOCATIONS AND QUANTITIES FOR INSTALLATION OF PATCH CABLES. THE CC SHALL PROVIDE A CERTIFIED END-TO-END SOLUTION AND MUST COMPLY WITH THE CERTIFICATION REQUIREMENTS.
 - CC SHALL PERFORM INSTALLATION (SEE PARTS LIST FOR BID QUANTITIES).
 - COPPER PATCH CORD LABELING: ALL PATCH CORDS SHALL BE PROVIDED WITH A UNIQUE, 3-DIGIT NUMERIC IDENTIFIER CODE AT EACH END WITHIN 2 INCHES OF THE END. THIS LABEL SHALL BE TYPE WRITTEN, 1/8" HIGH BOLD TEXT, SELF-LAMINATING STICKER.
- SUMMARY OF OWNER PROVIDED TELECOMMUNICATIONS ITEMS:
 - ALL RACK AND CABINET MOUNTED ELECTRONICS, ETHERNET LAN SWITCHES, ROUTERS ETC.
 - VOICE MAIL SERVER AND VOICE MAIL.
 - PHONE LINE CORDS AND PHONE HANDSETS.
- CONDUIT STUD: ALL CONDUIT PATHWAYS, BACKBOXES AND DRYWALL RACEWAYS SHALL BE FURNISHED AND INSTALLED BY THE ELECTRICAL CONTRACTOR.
- HORIZONTAL CABLE PATHWAY LENGTH LIMITS:
 - THE CABLE PATHWAY SYSTEM LENGTH SHALL NOT EXCEED 275- FEET FROM OUTLET TO PATCH PANEL.
 - THERE SHALL BE NO MORE THAN THREE 90-DEGREE BENDS IN ONE CONTINUOUS RACEWAY BETWEEN PULL POINTS.
 - COMMUNICATION CABLES CONDUIT FILL SHALL NOT EXCEED 40% FOR ALL CONDUIT SLEEVES AND STUB UPS.
 - CONDUIT ENDS SHALL BE PROVIDED WITH A PLASTIC BUSHING OR PLASTIC SLEEVE AT EACH END.
 - IF A COMPLETED CABLE SYSTEM RESULTS IN COMMUNICATION CABLE MEASUREMENT IN EXCESS OF 265- FEET, THE FOLLOWING CORRECTIVE MEASURES WILL BE THE RESPONSIBILITY OF THE CC:
 - THE CC SHALL BE LIABLE FOR ALL ADDED COSTS (INCLUDING PREMIUM TIME) ASSOCIATED WITH REWORKING OF ALL EFFECTED CABLING.
 - RES-TERMINATION AND RE-TESTING TO MAKE THE COMMUNICATION CABLING SYSTEM TIA-568 COMPLIANT.
 - IT IS THE CC AND EC RESPONSIBILITIES TO IDENTIFY ANY LOCATIONS WHERE IT IS NOT PHYSICALLY POSSIBLE TO MEET THESE REQUIREMENTS PRIOR TO INSTALLATION.
- LITCO FLOOR MONUMENT WITH POWER AND VOICE/DATA CONDUIT STUBS TO ACCESSIBLE CEILING PLENUM OF FLOOR BELOW BY EC. REFER TO VOICE / DATA DETAILS ON DWG VD-4 FOR DESCRIPTION.
- 120V DUXTER RECEPTACLE MOUNTED FLUSH IN LAY-IN CEILING TILE ADJACENT TO PROJECTOR ASSEMBLY BY EC. VERIFY EXACT LOCATION WITH ARCHITECT.

SYMBOL SCHEDULE

- ▽ 2-PORT DATA OUTLET WITH ONE CATEGORY 5E JACK. INSTALL IN A TWO GANG OUTLET BOX WITH SINGLE GANG PLASTER RING AT HEIGHT INDICATED ON ARCHITECTURAL DRAWINGS WITH 3/4" CONDUIT (WITH INSULATING BUSHING EACH END) FROM BOX TO ACCESSIBLE CEILING PLENUM. REFER TO COMMUNICATIONS EQUIPMENT SCHEDULE FOR DESCRIPTION.
- ▽ 2-PORT VOICE OUTLET WITH ONE CATEGORY 5E JACK. INSTALL IN A TWO GANG OUTLET BOX WITH SINGLE GANG PLASTER RING AT HEIGHT INDICATED ON ARCHITECTURAL DRAWINGS WITH 3/4" CONDUIT (WITH INSULATING BUSHING EACH END) FORM BOX TO ACCESSIBLE CEILING PLENUM. REFER TO COMMUNICATIONS EQUIPMENT SCHEDULE FOR DESCRIPTION.
- ▽ 2-PORT VOICE / DATA OUTLET WITH TWO CATEGORY 5E JACKS (ONE DATA, ONE VOICE). INSTALL IN A TWO-GANG OUTLET BOX WITH SINGLE GANG PLASTER RING FLUSH IN WALL AT HEIGHT INDICATED ON ARCHITECTURAL DRAWINGS WITH 3/4" CONDUIT (WITH INSULATING BUSHING EACH END) FROM BOX TO ACCESSIBLE CEILING PLENUM. REFER TO COMMUNICATIONS EQUIPMENT SCHEDULE FOR DESCRIPTION.
- ▽ 4-PORT VOICE / DATA OUTLET WITH FOUR CATEGORY 5E JACKS (TWO DATA, TWO VOICE). INSTALL IN A TWO-GANG OUTLET BOX WITH SINGLE GANG PLASTER RING FLUSH IN WALL AT HEIGHT INDICATED ON ARCHITECTURAL DRAWINGS WITH 3/4" CONDUIT (WITH INSULATING BUSHING EACH END) FROM BOX TO ACCESSIBLE CEILING PLENUM. REFER TO COMMUNICATIONS EQUIPMENT SCHEDULE FOR DESCRIPTION.
- ▽ 4-PORT VOICE / DATA OUTLET WITH THREE CATEGORY 5E JACKS (TWO DATA, ONE VOICE, ONE BLANK). INSTALL IN A TWO-GANG OUTLET BOX WITH SINGLE GANG PLASTER RING FLUSH IN WALL AT HEIGHT INDICATED ON ARCHITECTURAL DRAWINGS WITH 3/4" CONDUIT (WITH INSULATING BUSHING EACH END) FROM BOX TO ACCESSIBLE CEILING PLENUM. REFER TO COMMUNICATIONS EQUIPMENT SCHEDULE FOR DESCRIPTION.
- ▽ 1-PORT OUTLET WITH ONE CATEGORY 5E JACK. INSTALL IN A TWO-GANG OUTLET BOX WITH SINGLE GANG PLASTER RING FLUSH IN WALL AT 54" AFF WITH 3/4" CONDUIT (WITH INSULATING BUSHING EACH END) FROM BOX TO ACCESSIBLE CEILING PLENUM. PROVIDE COVERPLATE WITH INTEGRAL MOUNTING STUDS FOR WALL TELEPHONE. REFER TO COMMUNICATIONS EQUIPMENT SCHEDULE FOR DESCRIPTION.
- ⊠ LITCO FLOOR MONUMENT WITH POWER AND VOICE/DATA CONDUIT STUBS TO ACCESSIBLE CEILING PLENUM OF FLOOR BELOW BY EC. REFER TO VOICE / DATA DETAILS ON DWG VD-4 FOR DESCRIPTION.
- ⊠ 120V DUXTER RECEPTACLE MOUNTED FLUSH IN LAY-IN CEILING TILE ADJACENT TO PROJECTOR ASSEMBLY BY EC. VERIFY EXACT LOCATION WITH ARCHITECT.

SOUNDMASKING SPECIFICATIONS

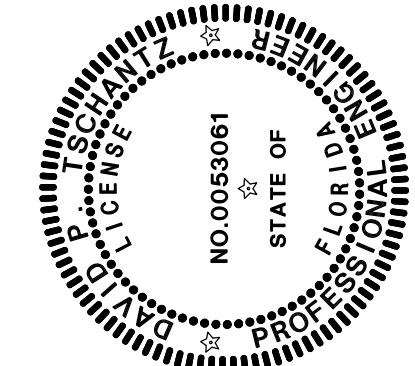
- ALL SOUND MASKING SCOPE OF WORK SHALL BE FURNISHED AND INSTALLED BY THE COMMUNICATIONS CONTRACTOR (CC) UTILIZING THE SERVICES OF AN AUDIO VISUAL CONTRACTOR (AVC) WITH AT LEAST 5 YEARS EXPERIENCE IN INSTALLATION OF SOUNDMASKING SYSTEMS OF THIS TYPE.
- EQUIPMENT
 - SOUND MASKING GENERATOR SHALL BE DUAL CHANNEL WITH INTEGRAL DSP BASED PINK NOISE GENERATOR WITH LINE LEVEL AUX INPUT, AND ADJUSTABLE GAIN, EQUALIZER, AND DELAY. UNIT SHALL BE SUITABLE FOR 19" RACK MOUNTING. ATLAS SOUND # ASP-MG24, OR APPROVED EQUAL.
 - AUDIO AMPLIFIERS SHALL BE DUAL CHANNEL WITH ADJUSTABLE GAIN FOR EACH CHANNEL AND A RACK MOUNTED CHASSIS. AMPLIFIER TO BE 300W PER CHANNEL (600W TOTAL). CROWN CTS-600 SERIES, OR APPROVED EQUAL.
 - MONITOR PANEL SHALL PROVIDE LOCAL MONITORING OF THE MASKING SYSTEM, AND SHALL INCLUDE A 3" LOUDSPEAKER, ANALOG VU METER, AND RACK MOUNTED CHASSIS. ATLAS SOUND # MVX-193 SERIES, OR APPROVED EQUAL.
 - SPEAKER ASSEMBLY SHALL CONTAIN AN 8" LOUDSPEAKER, 70-TV TRANSFORMER, AND EXTERNAL TAP SELECTOR WITH 1/4, 1/2, 1, 2, & 4 WATT TAPS. ENCLOSURE, BAFFLE, AND MOUNTING HARDWARE SHALL BE SUITABLE FOR UPWARD DISPERSION. ATLAS SOUND # M1000-W, OR APPROVED EQUAL.
- THE CONTRACTOR SHALL FURNISH AND INSTALL THE SOUND MASKING SPEAKERS. THE SOUND MASKING SPEAKER OPTIMAL RANGE IS AT 1/3 OF THE PLENUM CEILING SPACE - ABOVE THE CEILING TILES. FOR TIGHT PLENUM AREAS POSITION UNITS AS LOW AS POSSIBLE WITHIN CEILING SPACE, WHILE KEEPING AT LEAST 2-INCHES ABOVE CEILING TILE. THE CONTRACTOR SHALL INSTALL CABLING TO SPEAKERS LEAVING 6" SLACK AT EACH SPEAKER DROP. INDEPENDENTLY SUPPORT THE SPEAKER ENCLOSURE FROM THE STRUCTURAL CEILING.
- THE MASTER/SATELLITE WIRING SHALL BE 16 AWG/ CONDUCTOR TWISTED NON-SHIELDED PLENUM RATED CABLE AS OUTLINED ON THE PLANS. OBSERVE POLARITY FOR ALL CONNECTIONS. ALL WIRING SHALL BE FURNISHED AND INSTALLED BY THE CONTRACTOR.
- THE COMMUNICATIONS AND AV CONTRACTOR SHALL COORDINATE WITH THE OWNER FOR FINAL ADJUSTMENT TO THE SOUND MASKING SYSTEM. ADJUST VOLUME LEVELS AND TAP VALUES TO ACHIEVE OPTIMUM LEVELS. THE AV CONTRACTOR SHALL TAKE THE FOLLOWING MEASURES TO TUNE THE SYSTEM:
 - TUNE THE SYSTEM AND TAKE INTO CONSIDERATION THE BUILDING SYSTEMS AMBIENT NOISE AND THE LEVEL OF ACTIVITY IN THE SPACE DURING THE COURSE OF NORMAL WORKING HOURS.
 - AFTER INSTALLATION, THE AVC SHALL FINE-TUNE TO ACHIEVE A SPATIAL UNIFORMITY OF +/- 1/2 DBA. WITH FURNISHINGS IN PLACE.
 - THE AVC SHALL MAKE ALL FINAL ADJUSTMENTS AND TESTS TO COMMISSION THE SYSTEM. ALL WORK TO MAKE THE FINAL ADJUSTMENTS SHALL BE INCLUDED IN THE BASE PRICE.
 - UPON COMPLETION, THE AVC SHALL PERFORM A TEST AND DEMONSTRATION TO THE OWNER FOR FINAL APPROVAL AND SIGN-OFF.
- THE INFORMATION ON THE DRAWINGS IS FOR BIDDING PURPOSES ONLY. THE CONTRACTOR SHALL BECOME FAMILIAR WITH THE BUILDING CONSTRUCTION AND GEOMETRY AS NEEDED TO PROVIDE A FULLY FUNCTIONING INSTALLATION. SCHEMATIC IS FOR DIAGRAMMATIC PURPOSES ONLY. THE CONTRACTOR SHALL FOLLOW ALL MANUFACTURER'S INSTALLATION TECHNIQUES AND GUIDELINES.

REQUEST FOR PROPOSAL

- PROJECT: ALLSTATE WEST PALM BEACH, LEGAL BUILDING
1450 CENTREPARK BLVD,
WEST PALM BEACH, FLORIDA
- ALLSTATE INSURANCE COMPANY IS SUBMITTING THIS REQUEST FOR PROPOSAL (RFP) TO SELECT A CONTRACTOR TO INSTALL THE VOICE/DATA AND SOUNDMASKING IN A NEW SPACE AND ON A NEW FLOOR OF THEIR EXISTING FACILITY IN WEST PALM BEACH, FLORIDA. THIS RFP IS COMPRISED OF THE DRAWINGS VD-1 THRU VD-7.
 - THESE DOCUMENTS DESCRIBE THE CABLING AND COMPONENTS THAT ARE TO BE INSTALLED AND THE REQUIRED SERVICES ASSOCIATED WITH THE INSTALLATION OF THE SYSTEMS. THE WORK AND SERVICES SPECIFIED HEREIN INCLUDE THE SUBMITTAL OF PRODUCT SPECIFICATIONS, COORDINATION WITH OTHER TRADES, INSTALLATION OF THE SYSTEMS, SUBMITTAL OF TESTING REPORTS, AND SUBMITTAL OF AS-BUILT DOCUMENTATION.
 - IT IS EXPECTED THAT ALL BIDDING CONTRACTORS WILL HAVE CAREFULLY READ AND UNDERSTOOD THE BID DOCUMENTS, AND SURVEYED ALL SPACES INVOLVED IN THIS PROJECT. THE PROJECT WILL BE AWARDED TO THE CONTRACTING COMPANY THAT INDICATES THE BEST UNDERSTANDING OF THE PROJECT AND BEST DEMONSTRATES AN ABILITY TO COMPLETE THE PROJECT WITH THE HIGHEST QUALITY AND LOWEST COST WITHIN THE ASSIGNED SCHEDULE.
 - MATERIAL DISTRIBUTION CONTACT: THE SUCCESSFUL COMMUNICATION CONTRACTOR WILL BE REQUIRED TO OBTAIN THEIR MATERIAL QUOTES THROUGH ANIKTER OF CHICAGO. THE CONTACT IS: HEATHER HILL (PHONE: 847-399-4522).
 - THE MAXCELL INNERDUCT (IMXC2020) HAS BEEN PRE-PURCHASED BY ALLSTATE FROM ANIKTER AND THE CC SHALL COORDINATE SHIPPING AND DELIVERY TO THE JOB SITE.
 - ALL COMMUNICATIONS PROPOSALS MUST INCLUDE THE FOLLOWING:
 - SCOPE OF WORK DESCRIPTION LIST OF TEST EQUIPMENT TO BE USED.
 - LIST OF CLARIFICATIONS OR EXCLUSIONS.
 - COPY OF VENDORS ORTRONICS/BERK-TEK NET CLEAR CERTIFICATION OR HUBBELL/MOHAWK CERTIFICATION.
 - MATERIAL ESTIMATE WORKSHEET WITH ESTIMATED QUANTITIES OF EACH MAJOR SYSTEM COMPONENTS. THIS IS MANDATORY TO CONFIRM BIDDERS UNDERSTANDING OF THE PROJECT SCOPE. MATERIAL WORKSHEET SHALL INCLUDE THE FOLLOWING HEADINGS:
 - ITEM DESCRIPTION
 - MANUFACTURER AND PART NUMBER
 - QUANTITY OR LENGTH
 - AN EXCEL SPREADSHEET OF THE PRE-FORMATTED COMPONENT EQUIPMENT BID FORM MUST BE COMPLETED BY THE BIDDING CONTRACTOR AND SUBMITTED WITH THEIR PROPOSAL. SEND AN E-MAIL REQUEST TO JJENNINGSP@PTAENGINEERING.COM FOR THIS DOCUMENT.
 - ALL PROPOSAL PRICING MUST INCLUDE THE FOLLOWING INFORMATION:
 - GRAND TOTAL SELL PRICE:
 - LABOR - MATERIAL:
 - TOTAL LABOR ONLY COST
 - TOTAL MATERIAL ONLY COST
 - ESTIMATED TOTAL MANHOURS
 - PRICING SHALL NOT INCLUDE TAX AND SHIPPING. TAX AND SHIPPING WILL BE ISSUED AS A CHANGE ORDER TO THE CONTRACT AT THE COMPLETION OF THE PROJECT.
 - UNIT PRICE: REFER TO BID FORM FOR UNIT PRICING REQUIREMENTS.
 - FINAL SUBMITTAL FORMAT:
 - ALL PROPOSALS MUST BE SUBMITTED IN ELECTRONIC FORMAT AND SHALL BE APPROPRIATE SIZE TO BE SENT VIA E-MAIL. SUBMIT (1) ELECTRONIC VERSION (MICROSOFT WORD AND/OR EXCEL FORMAT ONLY). PDF FILES OF VOICE/DATA EQUIPMENT SCHEDULE WILL NOT BE ACCEPTED.
 - ADDRESS ALL PROPOSALS TO: ALLSTATE INSURANCE COMPANY - MARK ANGERAME REAL ESTATE & CONSTRUCTION 3375 SANDERS ROAD - SOUTH PLAZA, STE G1D NORTHBROOK, IL 60062
 - E-MAIL PROPOSAL TO: ALLSTATE INSURANCE COMPANY MARK ANGERAME E-MAIL: MARK.ANGERAME@ALLSTATE.COM
 - CC PROPOSAL TO: PETERS, TSCHANTZ & ASSOCIATES, INC. JON JENNINGS E-MAIL: JJENNINGSP@PTAENGINEERING.COM
 - REQUEST FOR INFORMATION: REFER ALL DESIGN QUESTIONS TO: JON JENNINGS PETERS, TSCHANTZ & ASSOCIATES, INC. PHONE: 330-666-3702 FAX: 330-666-4165 E-MAIL: JJENNINGSP@PTAENGINEERING.COM

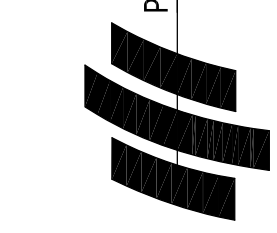
PROJECT SCOPE

- GENERAL PROJECT SCOPE:
 - THE CONSTRUCTION DOCUMENTS PREPARED BY PETERS, TSCHANTZ & ASSOCIATES, INC. DEFINE THE VOICE/DATA AND SOUNDMASKING SYSTEMS SCOPE OF WORK. THE ELECTRICAL DRAWING PACKAGE IS OTHERS. THIS DRAWING PACKAGE (DRAWINGS VD-1 THRU VD-7) IS A SUB-SET OF THE ELECTRICAL DRAWING PACKAGE.
 - THE FOLLOWING IS A BRIEF SUMMARY OF THE SCOPE OF WORK IDENTIFIED BY THESE DOCUMENTS BROKEN OUT BY TRADE. EACH CONTRACTOR'S SCOPE OF WORK SHALL INCLUDE, BUT NOT BE LIMITED TO THE FOLLOWING:
- ELECTRICAL CONTRACTOR:
 - THE ELECTRICAL CONTRACTOR SHALL PROVIDE ALL LABOR AND FURNISH AND INSTALL ALL MATERIAL FOR THE FOLLOWING SYSTEMS:
 - BRANCH POWER DISTRIBUTION FOR HVAC, LIGHTING, DIRTY AND/OR CLEAN POWER - SEE MEP DRAWINGS FOR ADDITIONAL SCOPE.
 - TVSS SURGE SUPPRESSION UNIT AT PANELBOARD.
 - WORKSTATION BRANCH POWER DISTRIBUTION SYSTEM.
 - ALL BRANCH POWER CIRCUITING.
 - VOICE/DATA CONDUIT SYSTEMS (STUB-UPS AND CONDUIT SLEEVES).
 - GENERAL CONVENIENCE BRANCH POWER SYSTEM.
 - WALL MOUNTED VOICE/DATA BACK-BOX AND CONDUIT SYSTEM TO CONNECT DEVICE TO ACCESSIBLE CEILING PLENUM.
 - PANEL/CIRCUIT LABELING OF ALL RECEPTACLES.
 - FIRESTOP OF CONDUIT PENETRATIONS THROUGH FIRE RATED WALL AND FLOORS CAUSED BY THE POWER, VOICE DATA, AND SOUNDMASKING RACEWAYS FOR THIS PROJECT.
 - CONDUIT AND BACKBOXES REQUIRED FOR THE ACCESS CONTROL SYSTEM.
- COMMUNICATION CONTRACTOR:
 - THE COMMUNICATIONS CONTRACTOR SHALL FURNISH AND INSTALL ALL LABOR AND MISCELLANEOUS MATERIAL FOR THE FOLLOWING SYSTEMS:
 - A COMPLETE HORIZONTAL CABLE SYSTEM PER THE DRAWINGS. THIS INCLUDES ALL CABLING TERMINATION EQUIPMENT, CABLE MANAGEMENT COMPONENTS, ETC.
 - ALL STATION AND JACK PANEL STATION ID LABELING AS SPECIFIED.
 - ALL CAT 5E CABLE TESTING INCLUDING SUBMITTAL OF TEST RESULTS PER THE SPECIFICATIONS.
 - FIRESTOP OF THE INSIDE OF THE CONDUIT SLEEVES AT LOCATIONS WHERE THE SLEEVE PASS-THROUGH A FIRE RATED OPENING.
 - VOICE/DATA ACTIVATION: FURNISH AND INSTALL VOICE/DATA PATCH CORDS AS IDENTIFIED ON THE TELECOMMUNICATION SPECIFICATIONS.
 - SOUNDMASKING SYSTEM.
 - OWNER PROVIDED EQUIPMENT:
 - THE CATV SYSTEM (FLAT PANEL TV'S, VIDEO CABLING, HARDWARE, ETC.) WILL BE CONTRACTED BY ALLSTATE DIRECTLY.
 - THE ACCESS CONTROL SYSTEM WILL BE CONTRACTED BY ALLSTATE DIRECTLY.
 - THE AV EQUIPMENT (PROJECTORS, PROJECTION SCREENS, EQUIPMENT, ETC.) WILL BE CONTRACTED BY ALLSTATE DIRECTLY.
 - MAXCELL INNERDUCT.



REVISIONS:

PETERS, TSCHANTZ & ASSOCIATES, INC.
CONSULTING ENGINEERS
275 SPRINGSIDE DR., SUITE 300
AKRON, OHIO 44333
PHONE 330-666-3702 FAX -4165
www.ptaengineering.com



WEST PALM BEACH, FLORIDA
LEGAL BUILDING
1450 CENTREPARK BLVD.
WEST PALM BEACH, FL 33401



DWN: PTA INC.
CKD: J.J.J.
DATE ISSUED:
8-2-11
SHEET TITLE:
VOICE/DATA SYMBOLS AND SPECIFICATIONS

DRAWING NUMBER:
VD-7

VOICE/DATA DESIGN