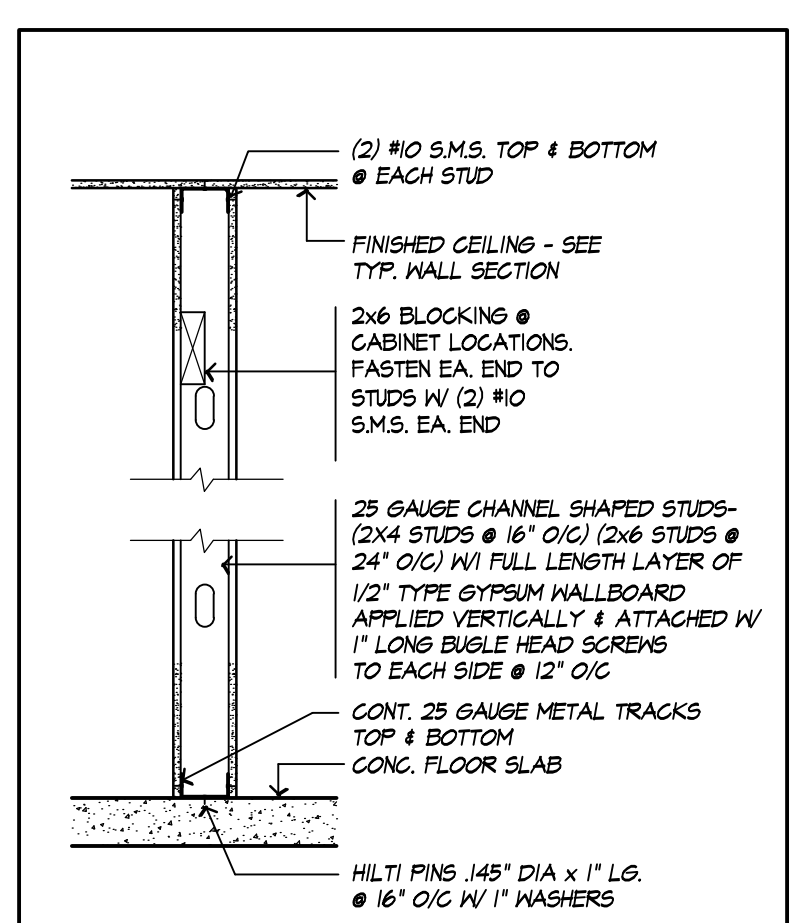
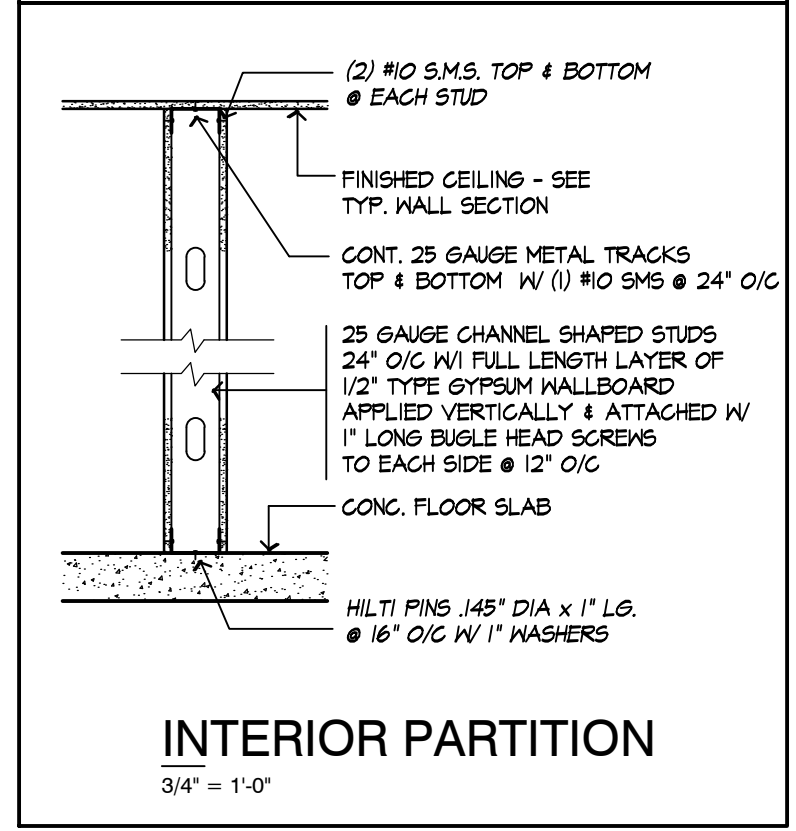


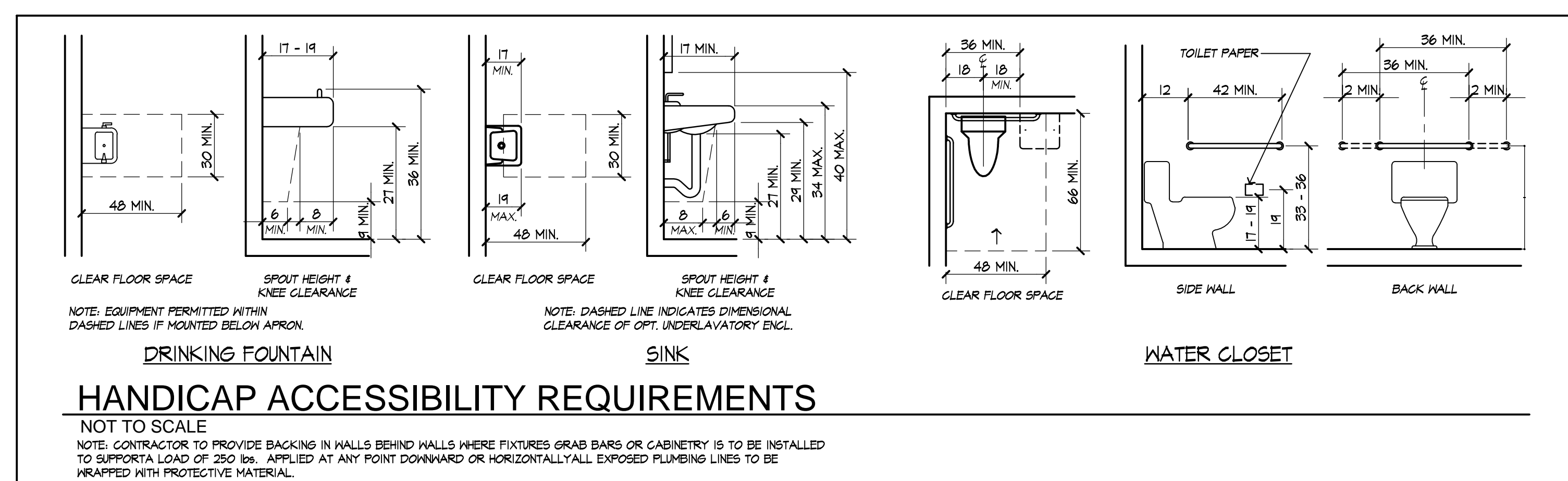
TYPICAL WALL SECTION  
SCALE 3/4" = 1'-0"



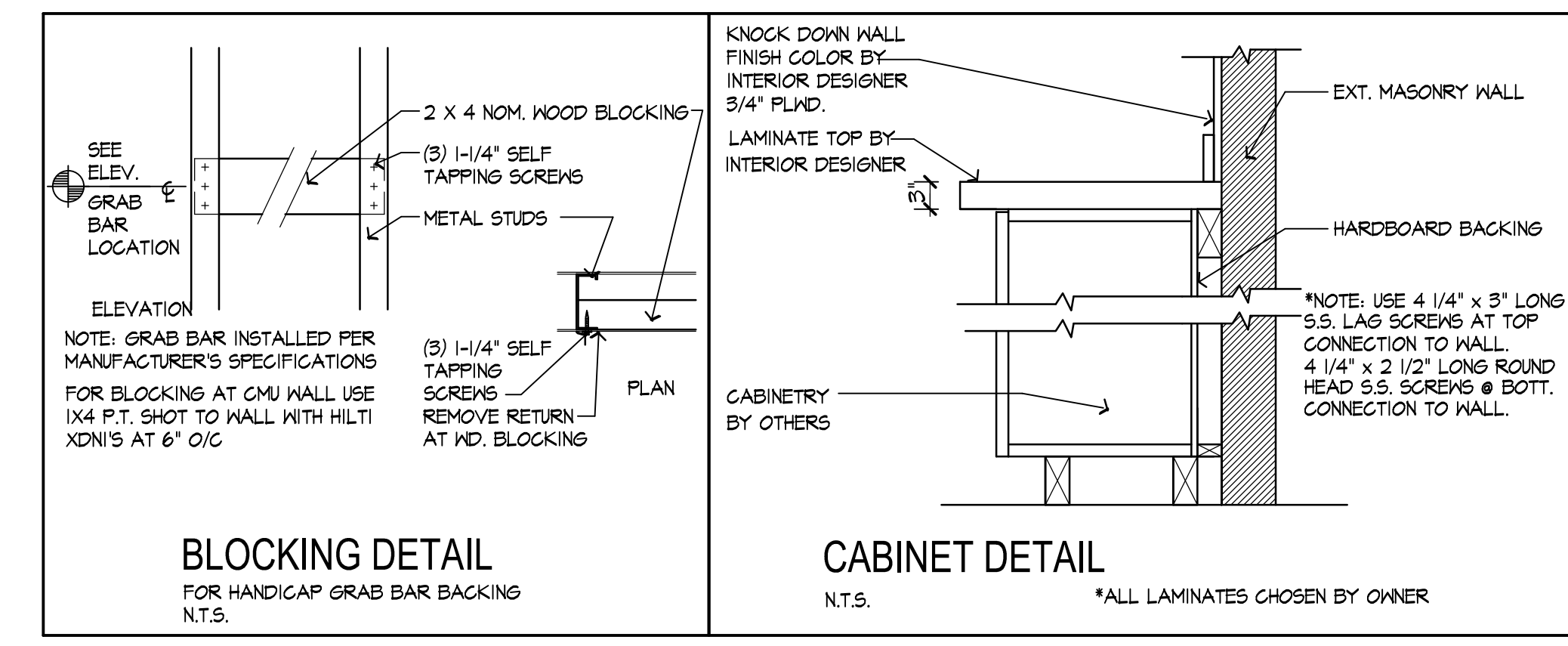
TYPICAL INTERIOR PARTITION WITH CABINET BLOCKING



INTERIOR PARTITION  
3/4" = 1'-0"



HANDICAP ACCESSIBILITY REQUIREMENTS  
NOT TO SCALE  
NOTE: CONTRACTOR TO PROVIDE BACKING IN WALLS BEHIND WALLS WHERE FIXTURES GRAB BARS OR CABINERY IS TO BE INSTALLED TO SUPPORT A LOAD OF 250 LBS. APPLIED AT ANY POINT DOWNWARD OR HORIZONTALLY ALL EXPOSED PLUMBING LINES TO BE WRAPPED WITH PROTECTIVE MATERIAL.



BLOCKING DETAIL FOR HANDICAP GRAB BAR BACKING N.T.S.  
CABINET DETAIL N.T.S. \*ALL LAMINATES CHOSEN BY OWNER

AREA ROOM NAME	FINISH SCHEDULE							REMARKS
	FLOOR		BASE		WALLS		CEILING	
	CARPET	VINYL TILE CERAMIC TILE	VINYL TILE CERAMIC TILE	PAINTED DRYWALL	ENAMEL PAINTED DRYWALL	PAINTED DRYWALL	CEILING HIGHT.	
CLASS ROOM A	•		•	•	•	•	8'-0" CLG.	
CLASS ROOM B	•		•	•	•	•	8'-0" CLG.	
CLASS ROOM C	•		•	•	•	•	8'-0" CLG.	
CLASS ROOM D	•		•	•	•	•	8'-0" CLG.	
CLASS ROOM E	•		•	•	•	•	8'-0" CLG.	
CLASS ROOM F	•		•	•	•	•	8'-0" CLG.	
RESTROOM B		•		•	•	•	8'-0" CLG.	
RESTROOM C		•		•	•	•	8'-0" CLG.	
RESTROOM D		•		•	•	•	8'-0" CLG.	
RESTROOM E & F		•		•	•	•	8'-0" CLG.	
BOYS & GIRLS H.C. RESTROOM		•		•	•	•	8'-0" CLG.	
KITCHEN	•		•	•	•	•	8'-0" CLG.	
HALLWAYS	•		•	•	•	•	8'-0" CLG.	
LIBRARY	•		•	•	•	•	15'-0" CLG.	
LOBBY		•		•	•	•	8'-0" CLG.	
RECEPTION		•		•	•	•	8'-0" CLG.	
OFFICE		•		•	•	•	8'-0" CLG.	
JANITOR CLOSET	•		•	•	•	•	8'-0" CLG.	

MARK	TYPE	STYLE	SIZE		R.O.		D.P.		NOTES
			W	H	W	H	+	-	
			001		HORIZONTAL SLIDER	4'-0"	4'-0"	48"	
002		HORIZONTAL SLIDER	4'-0"	4'-0"	48"	48"	+34.4	-37.3	
003		HORIZONTAL SLIDER	4'-0"	4'-0"	48"	48"	+34.4	-37.3	
004		HORIZONTAL SLIDER	4'-0"	4'-0"	48"	48"	+34.4	-37.3	
005		HORIZONTAL SLIDER	4'-0"	4'-0"	48"	48"	+34.4	-37.3	
006		HORIZONTAL SLIDER	4'-0"	4'-0"	48"	48"	+34.4	-45.3	
007		HORIZONTAL SLIDER	4'-0"	4'-0"	48"	48"	+34.4	-45.3	
008		HORIZONTAL SLIDER	4'-0"	4'-0"	48"	48"	+34.4	-37.3	
009		HORIZONTAL SLIDER	4'-0"	4'-0"	48"	48"	+34.4	-37.3	
010		HORIZONTAL SLIDER	4'-0"	4'-0"	48"	48"	+34.4	-45.3	
011		HORIZONTAL SLIDER	4'-0"	4'-0"	48"	48"	+34.4	-45.3	
012		HORIZONTAL SLIDER	4'-0"	4'-0"	48"	48"	+34.4	-37.3	
013		HORIZONTAL SLIDER	4'-0"	4'-0"	48"	48"	+34.4	-37.3	
014	INTERIOR SIDE-LITE	SIDELITE	2'-8 1/4"	3'-11 1/4"					Provided by owner
015	INTERIOR SIDE-LITE	SIDELITE	1'-8 1/4"	3'-11 1/4"					Provided by owner
016	INTERIOR SIDE-LITE	SIDELITE	1'-8 1/4"	3'-11 1/4"					Provided by owner
017	INTERIOR SIDE-LITE	SIDELITE	1'-8 1/4"	3'-11 1/4"					Provided by owner
018	INTERIOR SIDE-LITE	SIDELITE	1'-8 1/4"	3'-11 1/4"					Provided by owner
019	INTERIOR SIDE-LITE	SIDELITE	1'-8 1/4"	3'-11 1/4"					Provided by owner
020	INTERIOR SIDE-LITE	SIDELITE	1'-8 1/4"	3'-11 1/4"					Provided by owner

MARK	STYLE	DOOR		R.O.		D.P.		NOTES
		WD	HGT	W	H	+	-	
		001	DOUBLE EXTERIOR	6'-0"	6'-8"	76"	82"	
002	SINGLE EXTERIOR	3'-0"	6'-8"	40"	82"	+33.7	-36.7	
003	SINGLE EXTERIOR	3'-0"	6'-8"	40"	82"	+33.7	-36.7	
004	SINGLE EXTERIOR	3'-0"	6'-8"	40"	82"	+33.7	-36.7	
005	SINGLE EXTERIOR	3'-0"	6'-8"	40"	82"	+33.7	-36.7	
006	SINGLE EXTERIOR	3'-0"	6'-8"	40"	82"	+33.7	-36.7	
007	SINGLE EXTERIOR	3'-0"	6'-8"	40"	82"	+33.7	-36.7	
008	SINGLE EXTERIOR	3'-0"	6'-8"	40"	82"	+33.7	-36.7	
009	SINGLE EXTERIOR	3'-0"	6'-8"	40"	82"	+33.7	-36.7	
010	SINGLE	3'-0"	6'-8"					
011	SINGLE	3'-0"	6'-8"					
012	SINGLE	3'-0"	3'-4"					
013	SINGLE	3'-0"	3'-4"					
014	SINGLE	3'-0"	6'-8"					
015	SINGLE	3'-0"	6'-8"					
016	SINGLE	3'-0"	6'-8"					
017	SINGLE	3'-0"	6'-8"					
018	SINGLE	3'-0"	6'-8"					
019	SINGLE	3'-0"	6'-8"					
020	SINGLE	3'-0"	6'-8"					
021	SINGLE	3'-0"	7'-0"					
022	SINGLE	3'-0"	6'-8"					
023	SINGLE	3'-0"	6'-8"					
024	SINGLE	3'-0"	6'-8"					
025	SINGLE	3'-0"	6'-8"					
026	SINGLE	3'-0"	6'-8"					

revisions no. date  
0 / /

designed S.B.D.  
drawn T.J.C.  
checked S.B.D.  
date 02/03/12  
scale 1/4" = 1'-0" U.N.O.  
job no. 10244.com

Scott Blakeslee Disher  
AR-0011566 AA-0003285

CLUBHOUSE UNIVERSITY DAYCARE  
JUPITER FARMS SHOPPING CENTER  
PALM BEACH COUNTY, FLORIDA

project

ARCHITECTURAL  
Studio, Inc.

Architecture  
Planning

300 Avenue of Champions  
Suite 260  
Palm Beach Gardens, Florida 33418  
Phone 561.202.6990  
Fax 561.296.2494  
archstudiofl.com

drawing  
STANDARD  
DETAILS &  
SCHEDULES

sheet  
A-2

of