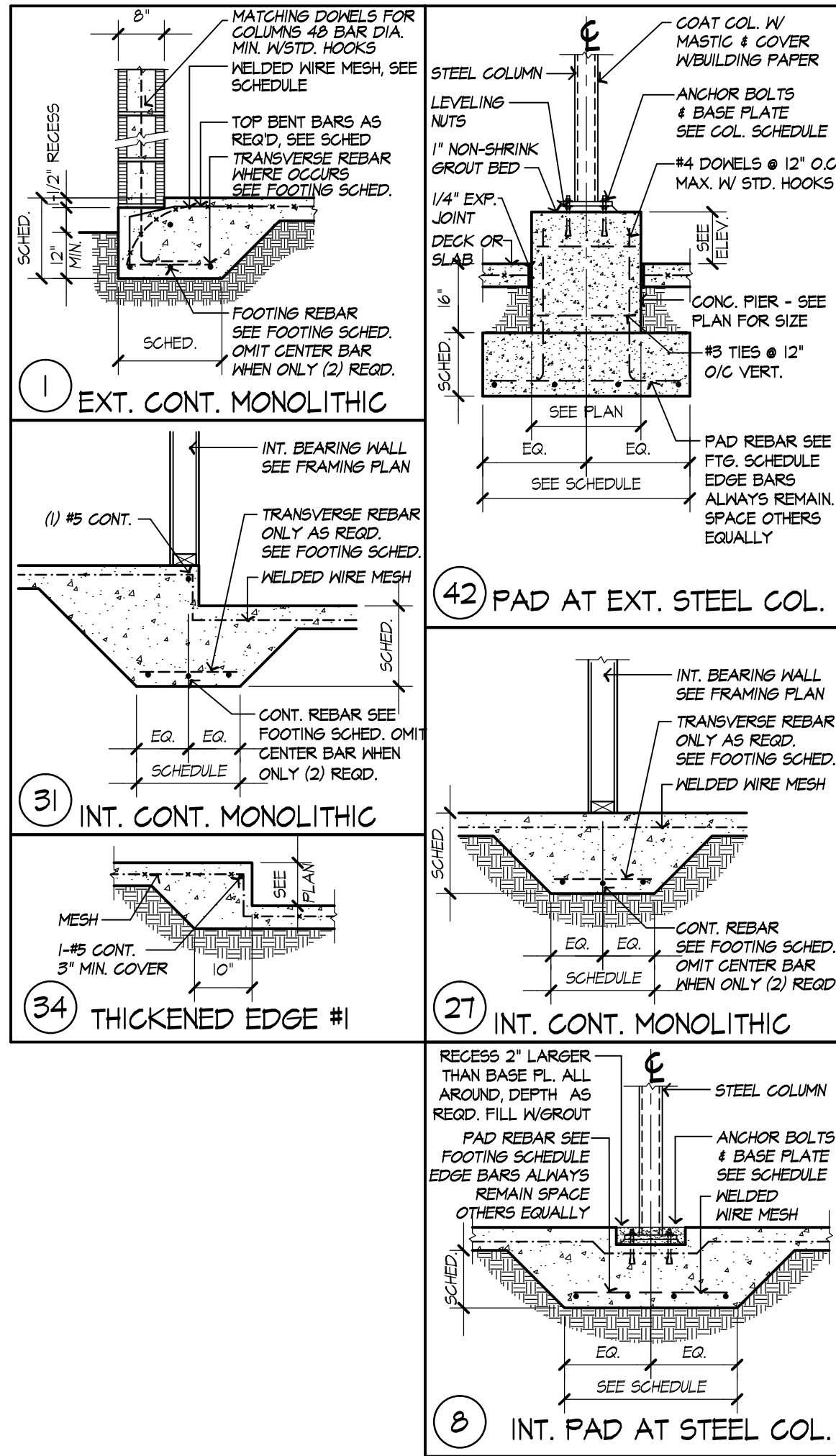


FOOTING SCHEDULE				
MARK	SIZE (WxD)	REINFORCING	DESCRIPTION	DETAIL NO.
F1	18"x18"XCONT.	W3 #5 CONT. - 1 TOP & 2 BTM. W/ SINGLE LAYER OF MESH	EXTERIOR MONOLITHIC ONE STORY	1
F2	3'-0" x 3'-0" x 12"	W4 #5 EJA. BTM.	ISOLATED PAD	42
F3	2'-6" x 2'-6" x 12"	W3 #5 EJA. BTM.	ISOLATED PAD	42
F4	5'-0"x3'-0"x16"	W6 #5 EJA. BTM.	ISOLATED PAD	7
F5	18"x18"XCONT.	W3 #5 CONT. 1 TOP & 2 BTM.	INTERIOR MONOLITHIC ONE STORY	27,31
F6	7'-0" x 7'-0" x 18"	W5 #5 @ 12" O/C EJA. BTM. (SEE TEXT A)	PAD AT INTERIOR STEEL COLUMN	8
F7	3'-6" x 3'-6" x 12"	W4 #5 EJA. BTM. (SEE TEXT B)	PAD AT INTERIOR STEEL COLUMN	8
F8	5'-6" x 5'-6" x 12"	W6 #5 EJA. BTM. (SEE TEXT C)	PAD AT INTERIOR STEEL COLUMN	8
F9	3'-6"x3'-6"x16"	W4 #5 EJA. BTM.	ISOLATED PAD	7
TE-1	10' x DROP X CONT.	W1#5 CONT.	THICKENED EDGE AT DROP	34

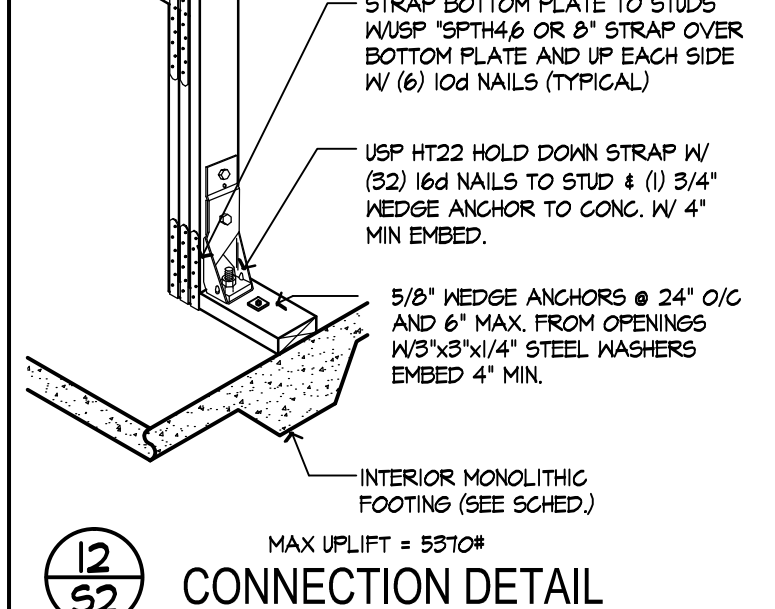
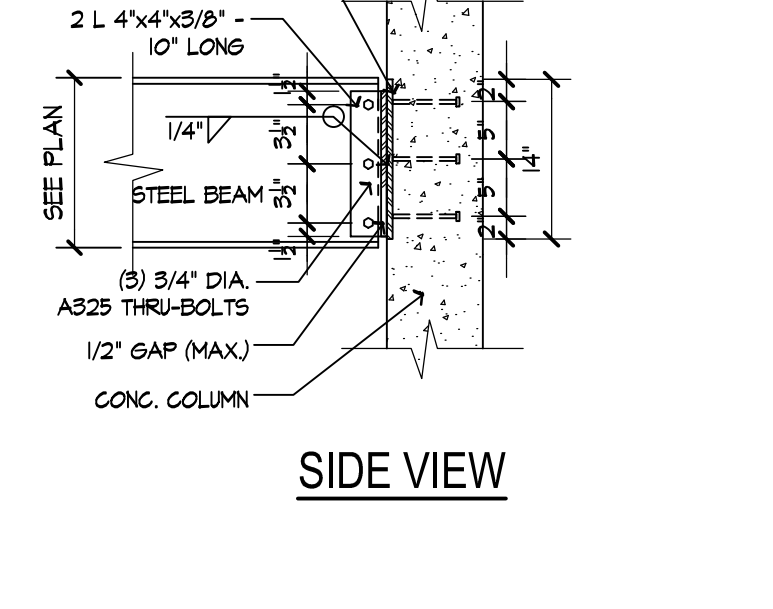
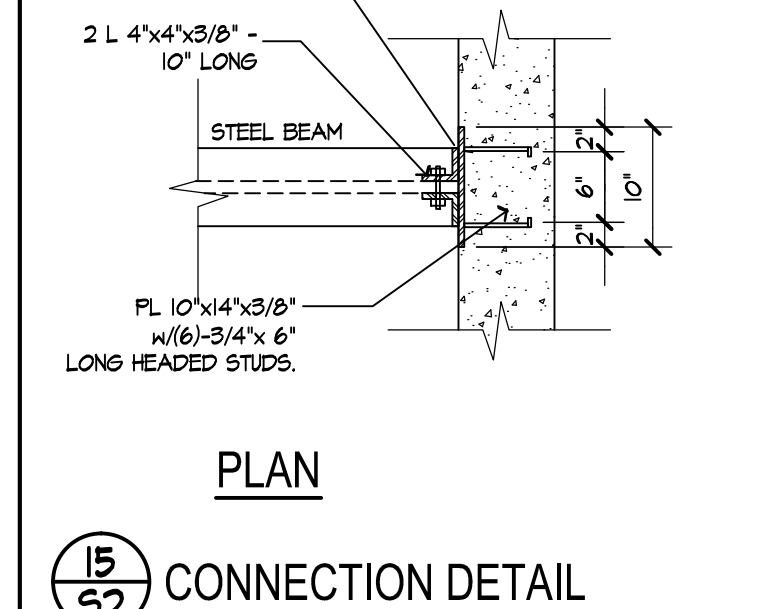
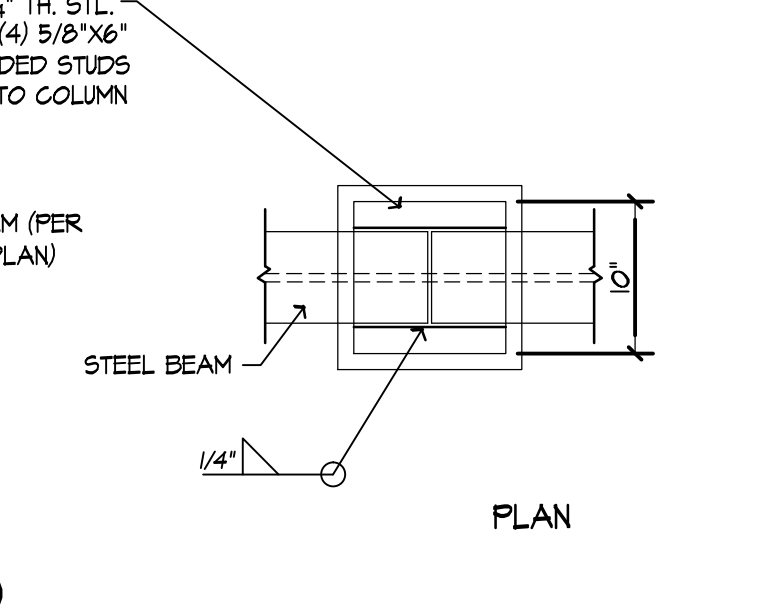
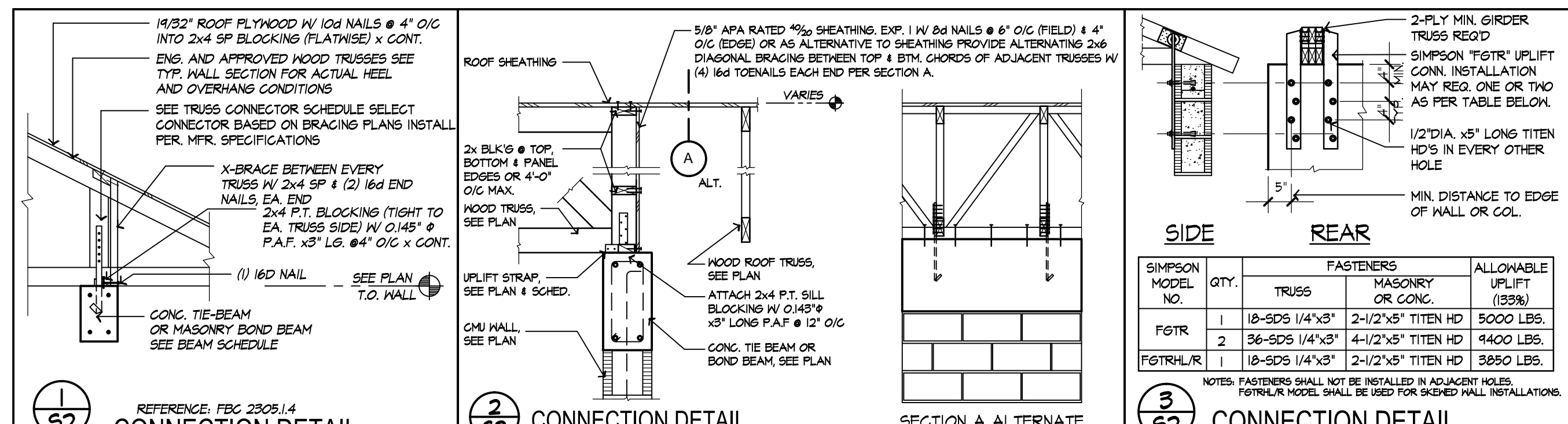
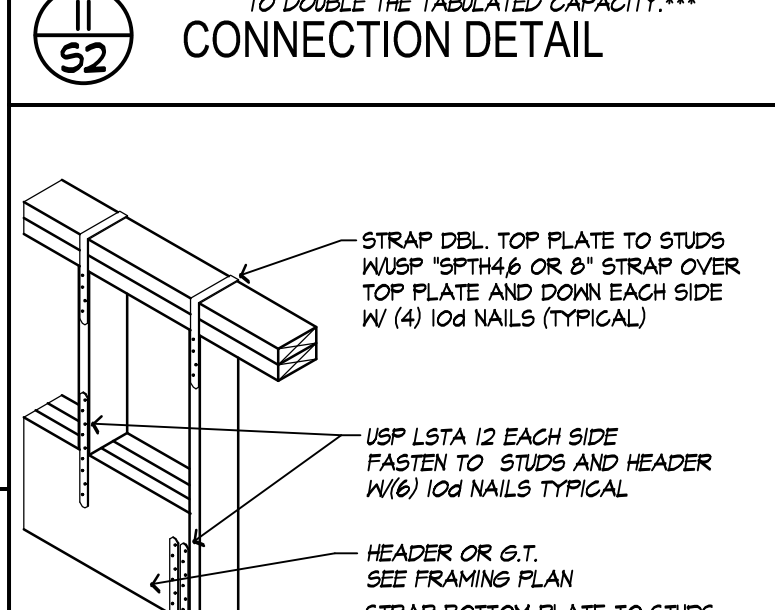
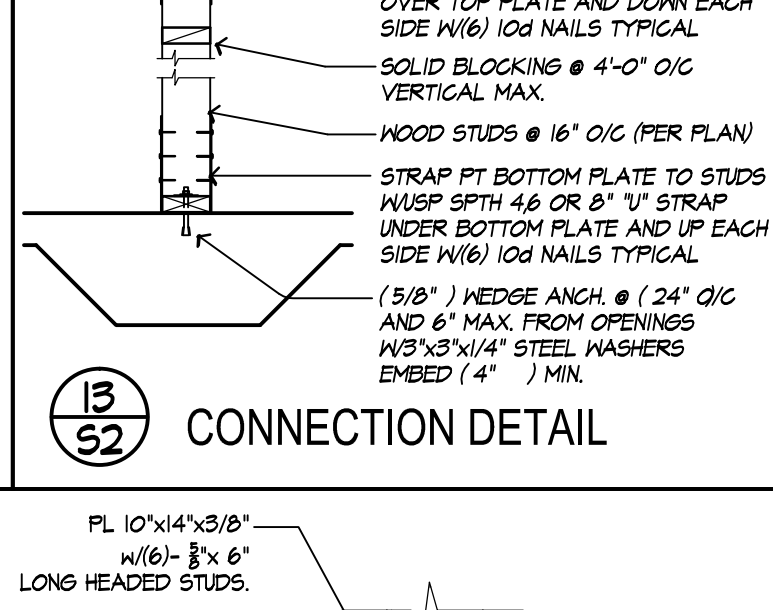
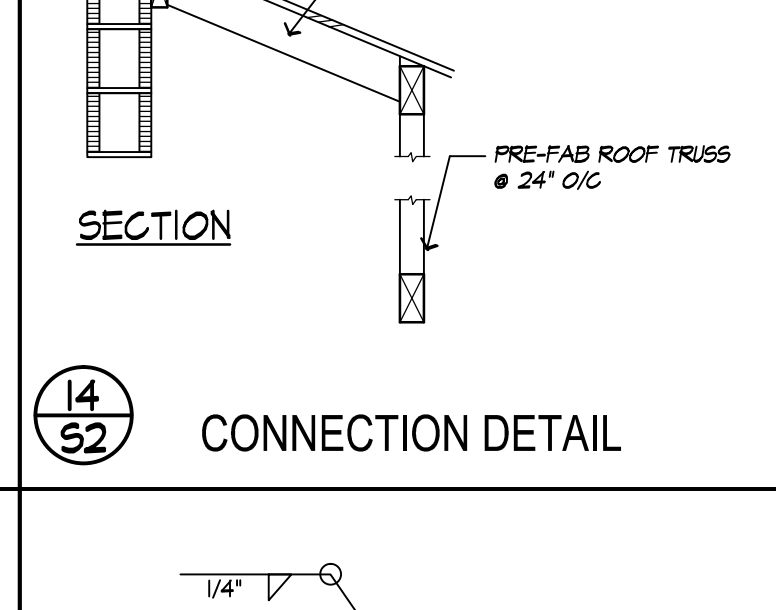
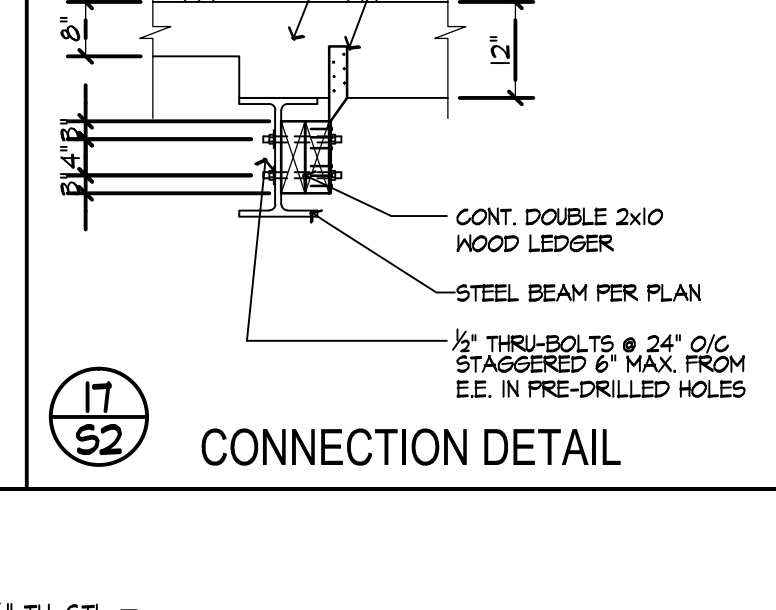
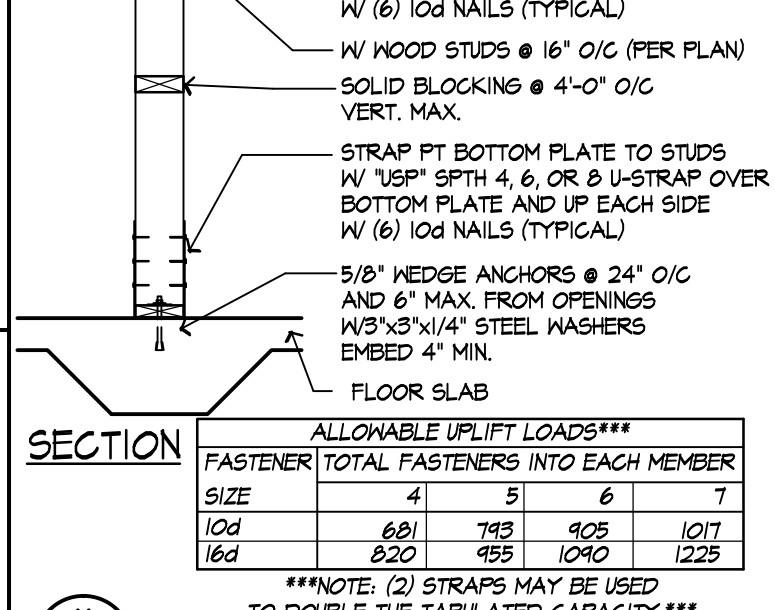
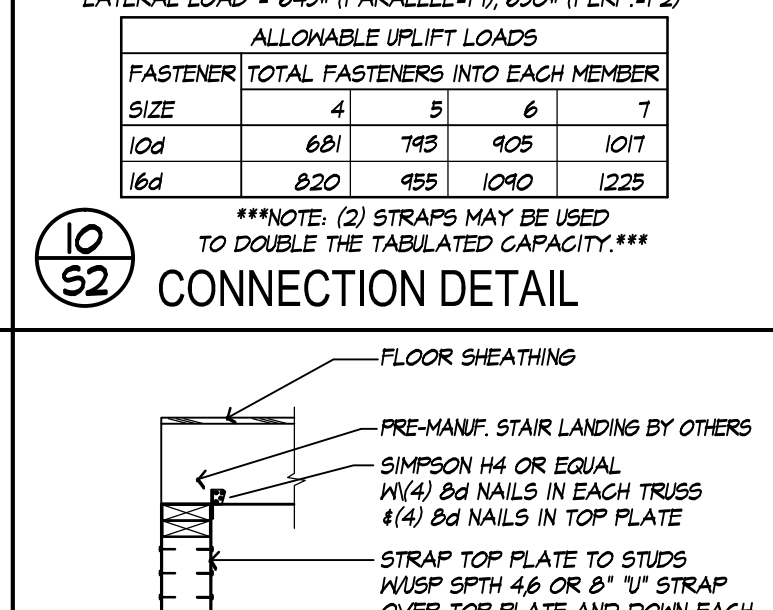
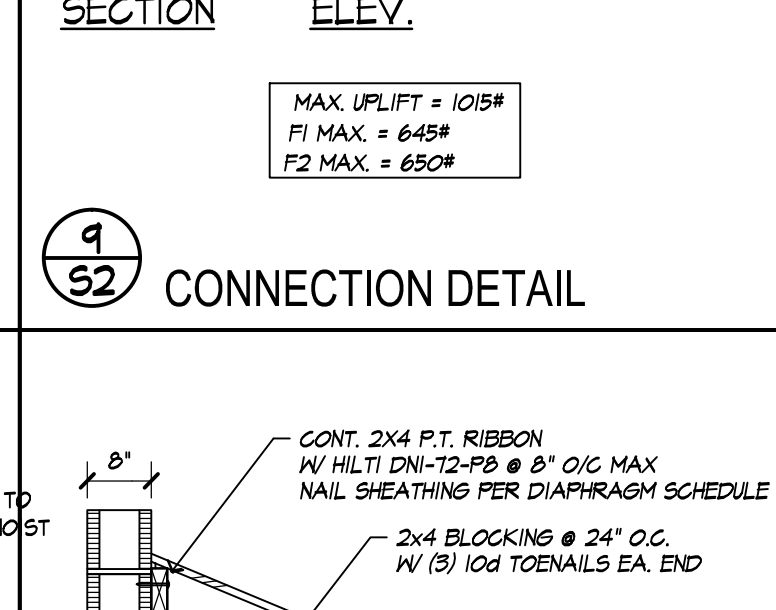
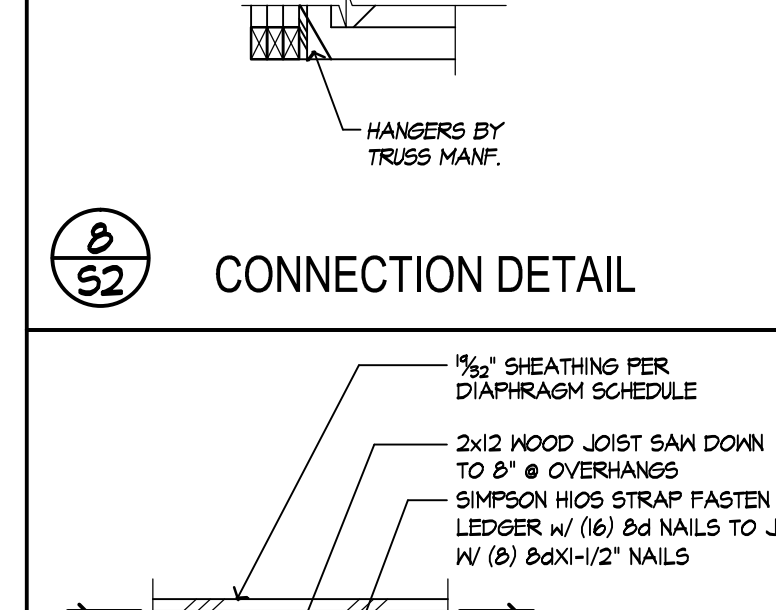
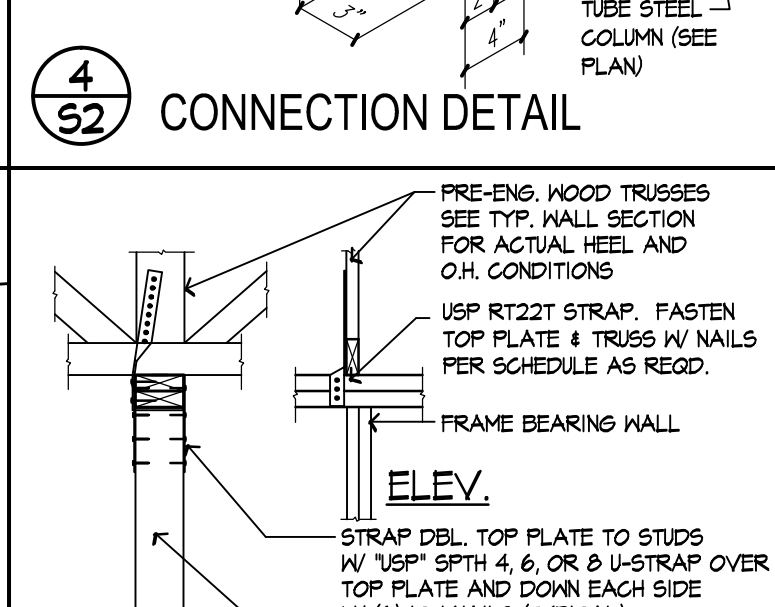
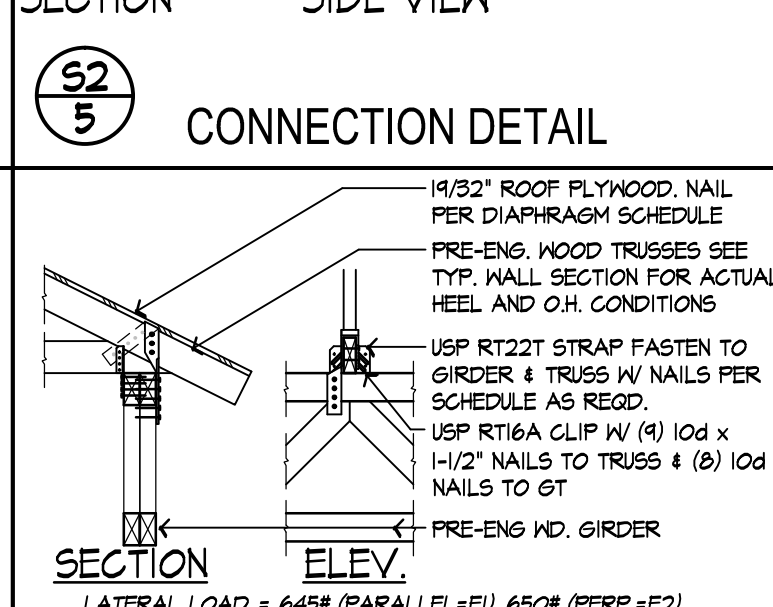
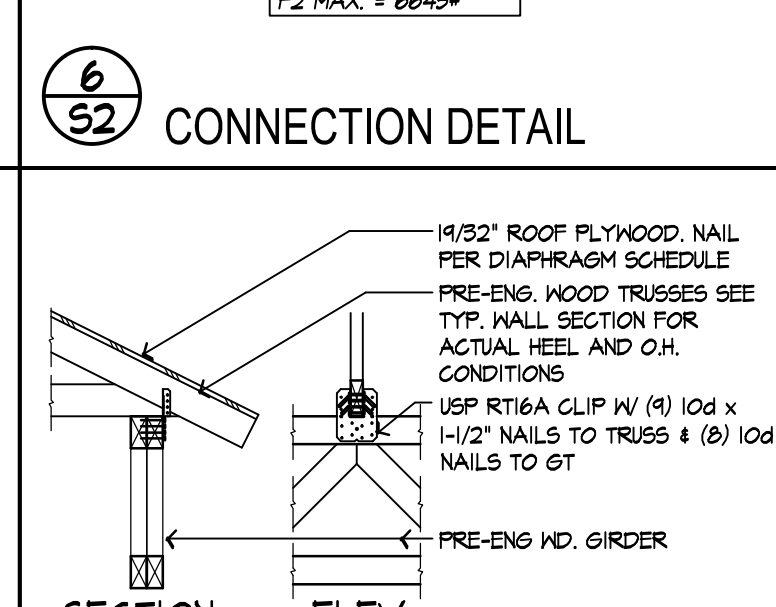
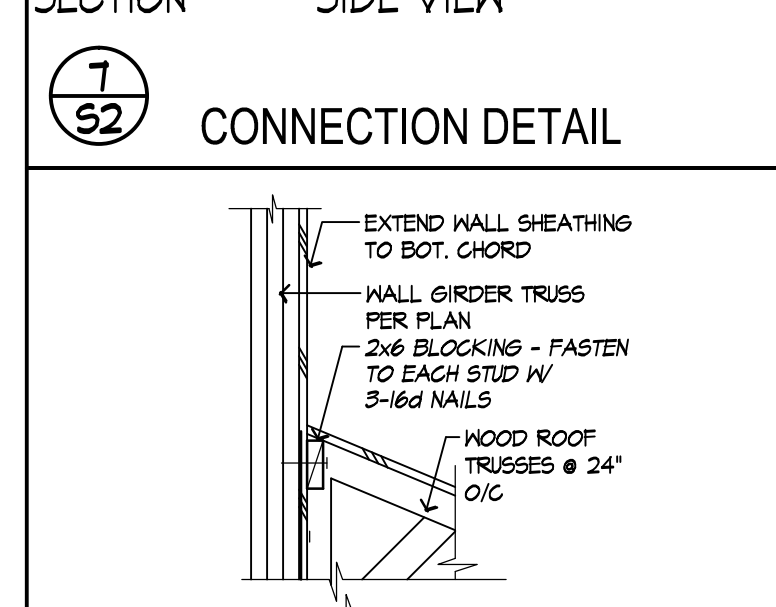
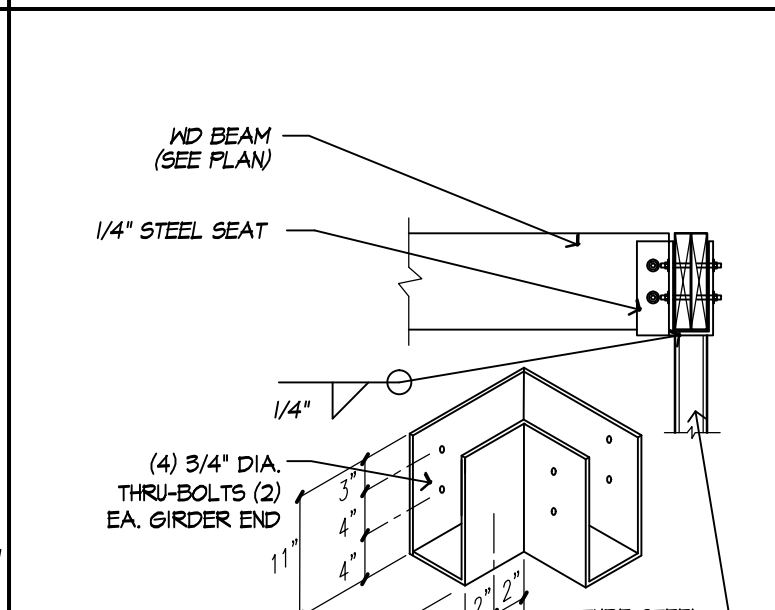
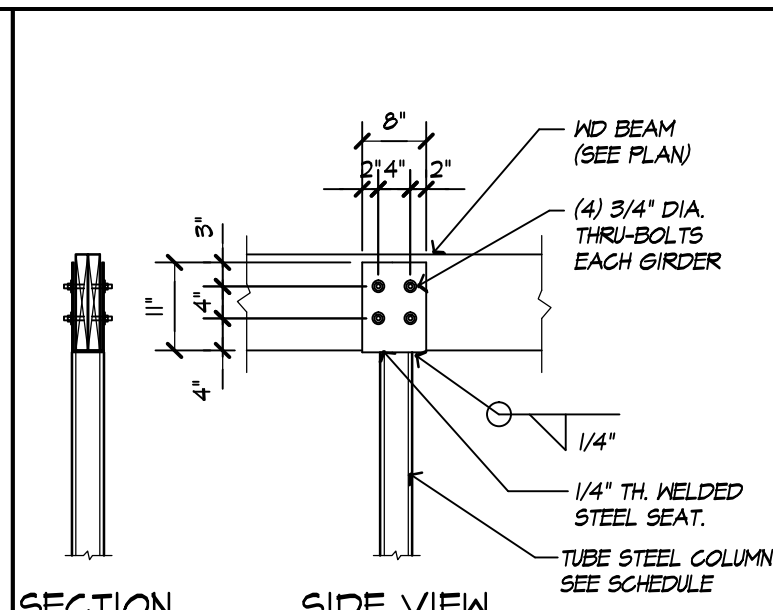
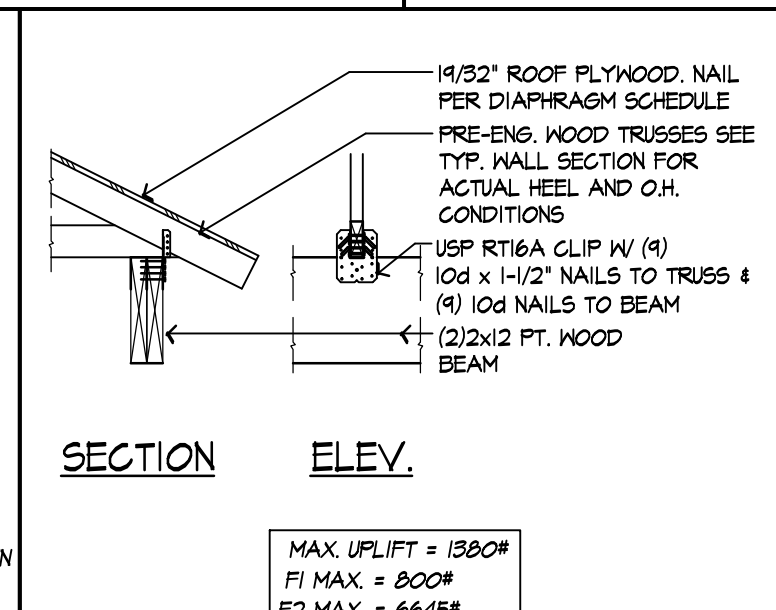
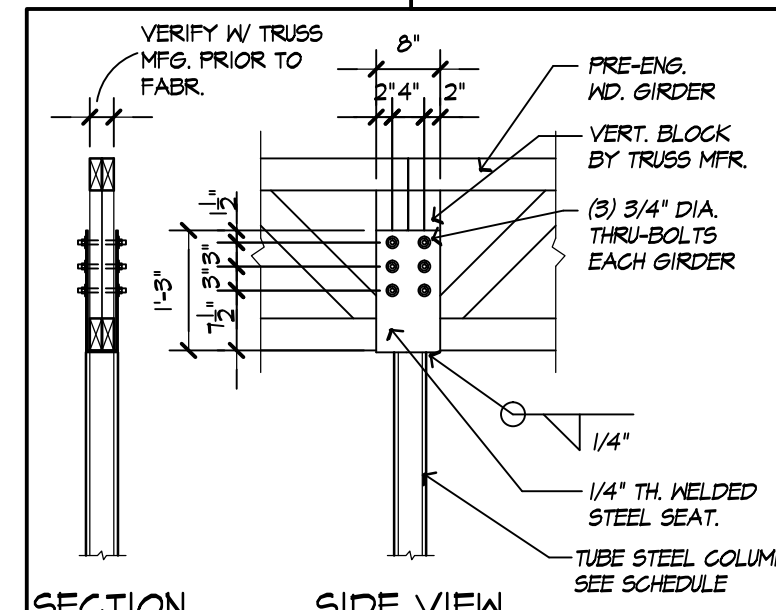
TEXT A: W/ DOUBLE LAYER OF 18"-6"x15"-6" W/M CENTERED @ T-5 COL.
 TEXT B: W/ DOUBLE LAYER OF 12"-0"x12"-0" W/M CENTERED @ T-5 COL.
 TEXT C: W/ DOUBLE LAYER OF 14"-0"x14"-0" W/M CENTERED @ T-5 COL.



COLUMN SCHEDULE		
MARK	SIZE TYPE	DESCRIPTION
C1	8x8 BLOCK	CONC. BLK. W/ FULLY GROUTED CELL. W/ #5 VERT. EA. CELL @ 8'-0" O/C MAX. OR AS LOCATED ON PLANS.
C2	8x16 BLOCK	CONC. BLOCK W/2 FULLY GROUTED CELLS W/ #5 VERT. EA. CELL.
C3	3'-1/2"x3'-1/2"x14" TUBE STEEL	PROVIDE STEEL CAP PLATE AND SADDLE AS NOTED ON DETAILS. BASE PLATE 8' x 8' x 3/8" W/ (4) 3/8" DIA. WEDGE ANCHORS W/ 4" MIN. EMBED.
C4	4"x4"x14" TUBE STEEL	PROVIDE STEEL CAP PLATE AND SADDLE AS NOTED ON DETAILS. BASE PLATE 12' x 12' x 3/4" W/ (4) 3/4" DIA. WEDGE ANCHORS W/ 6 1/2" MIN. EMBED.
C5	4"x4"x14" TUBE STEEL	PROVIDE STEEL CAP PLATE AND SADDLE AS NOTED ON DETAILS. BASE PLATE 14' x 14' x 1" W/ (4) 3/4" DIA. WEDGE ANCHORS W/ 6 1/2" MIN. EMBED.
C7	12x12 BLOCK	CONC. 10' BLK. FULLY GROUTED W/4-#5 VERT.

BEAM SCHEDULE					
MARK	SIZE	REINFORCING			REMARKS
		TOP	MID	BTM	
B-1	8x14	2#5	-	2#6	#5 STIRRUPS @ 5' O/C
B-2	12x20	2#6	-	2#6	#5 STIRRUPS @ 5' O/C
BB-1	8x16	#5	-	-	NONE REQ'D.
L-1	8x16	#5	-	#5	NONE REQ'D.
L-2	8x14	#5	-	#5	NONE REQ'D.

TYPICAL MASONRY BOND BEAM CONT. UNLESS NOTED OTHERWISE (2) COURSES FILLED
 CASTROTE HIGH STRENGTH LINTEL (2) COURSES FILLED
 CASTROTE HIGH STRENGTH LINTEL ALL COURSES FILLED



revisions no. date
 0 //
 designed S.B.D.
 drawn T.J.C.
 checked S.B.D.
 date 02/03/12
 scale 1/4" = 1'-0" U.N.O.
 job no. 10244.com

Scott Blakeslee Disher
 AR-001158 AA-0003285

CLUBHOUSE UNIVERSITY DAYCARE
 JUPITER FARMS SHOPPING CENTER
 PALM BEACH COUNTY, FLORIDA

ARCHITECTURAL Studio, Inc.

Architecture Planning

300 Avenue of Champions
 Suite 260
 Palm Beach Gardens, Florida 33418
 Phone 561.202.6990
 Fax 561.296.2494
 archstudio.com

drawing
 STRUCTURAL DETAILS & SCHEDULES

sheet
 S-2

of