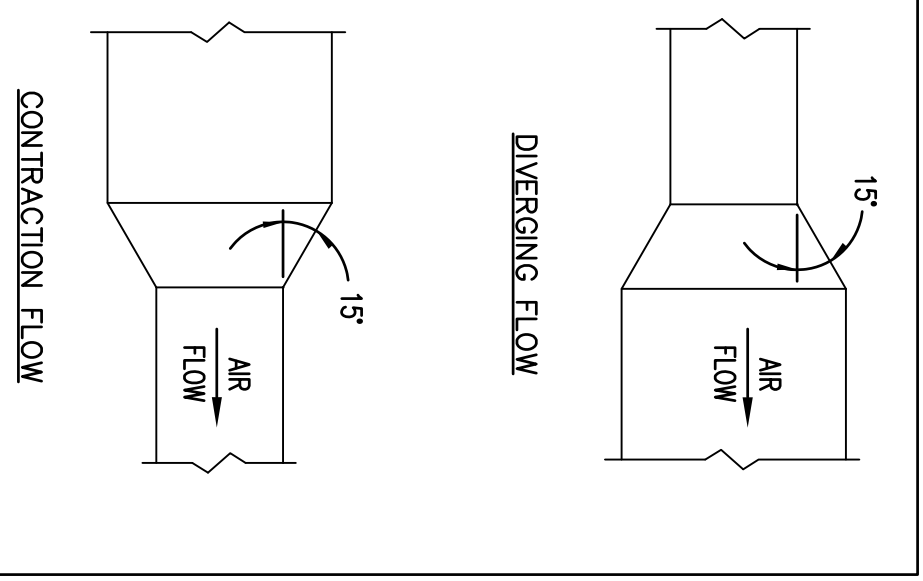


**MECHANICAL GENERAL NOTES:**

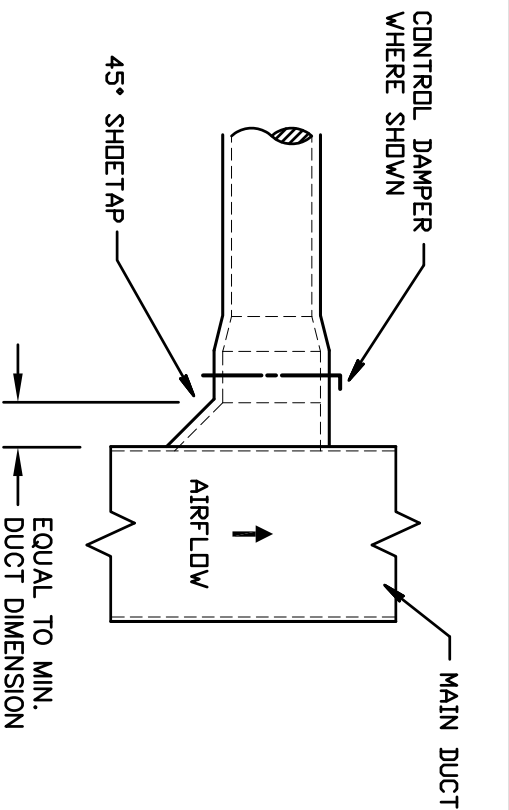
1. THESE DRAWINGS ARE DIAGRAMATIC. ALL OFFSETS, FITTINGS, TRANSITIONS AND ACCESSORIES ARE NOT SHOWN. THE CONTRACTOR SHALL INCLUDE IN HIS BID ALL ITEMS REQUIRED TO PROVIDE A COMPLETE AND OPERATIONAL SYSTEM. DO NOT SCALE DRAWINGS FOR INSTALLATION.
2. ALL WORK SHALL BE PERFORMED IN A FIRST CLASS WORKMANLIKE MANNER BY LICENSED CONTRACTORS.
3. THE CONTRACTOR SHALL OBTAIN AT HIS EXPENSE ALL NECESSARY FEES PERMITS, AND TESTS.
4. ALL WORK SHALL CONFORM TO ALL APPLICABLE LOCAL, STATE AND NATIONAL CODES. NO CONTRACTOR SHALL BE PROMPTLY CHARGED TO THE OWNER. REPAIR AND REPLACEMENT FOR DAMAGE CAUSED BY THIS CONTRACTOR SHALL BE MADE PROMPTLY WITHOUT CHARGE TO THE OWNER. ALL WORK OF THIS TRADE SHALL BE COORDINATED WITH ALL OTHER TRADES TO AVOID ANY INTERFERENCES THAT MAY DELAY PROGRESS OF CONSTRUCTION.
5. CORRECTION OF DEFECTS TO THIS WORK SHALL BE MADE PROMPTLY WITHOUT CHARGE TO THE OWNER. REPAIR AND REPLACEMENT FOR DAMAGE CAUSED BY THIS CONTRACTOR SHALL BE MADE PROMPTLY WITHOUT CHARGE TO THE OWNER.
6. ALL WORK OF THIS TRADE SHALL BE COORDINATED WITH ALL OTHER TRADES TO AVOID ANY INTERFERENCES THAT MAY DELAY PROGRESS OF CONSTRUCTION.
7. THE CONTRACTOR SHALL INCLUDE THE WORK OF ALL REQUIRED SUB-CONTRACTORS IN HIS ELECTRICAL INSULATING SYSTEM (EIS) BID, ETC., AS REQUIRED FOR A COMPLETE AND OPERATIONAL SYSTEM.
8. EQUIPMENT SHALL BEAR A UL OR OTHER RECOGNIZED LABEL.
9. THE CONTRACTOR SHALL INSTALL ALL EQUIPMENT AND ACCESSORIES TO BE READILY ACCESSIBLE FOR SERVICING, TESTING, BALANCING, AND REPLACEMENT.
10. THE CONTRACTOR SHALL PROVIDE A WRITTEN GUARANTEE AGAINST DEFECTS IN ALL MATERIALS AND WORKMANSHIP FOR ONE YEAR FROM ACCEPTANCE, WITH FOUR ADDITIONAL YEARS OF WARRANTY ON COMPRESSORS.
11. THE CONTRACTOR SHALL PROVIDE THREE COPIES OF SUBMITTAL DATA, SHOP DRAWINGS, AND AT COMPLETION OF THE PROJECT TWO SETS OF OPERATION AND MAINTENANCE MANUALS FOR ALL PROJECT ITEMS.
12. PROVIDE ALL CONTROLS, STARTERS, CONTROL WIRING, DISCONNECTS, AND OTHER ELECTRICAL EQUIPMENT AS REQUIRED FOR A COMPLETE AND OPERATIONAL SYSTEM.
13. THE HVAC CONTRACTOR IS RESPONSIBLE FOR MAINTAINING, ON SITE, A RECORD OF ALL WORK PERFORMED. THE CONTRACTOR SHALL PROVIDE A WRITTEN REPORT UPON COMPLETION, WHICH ARE SUITABLE FOR SUBMISSION TO THE BUILDING DEPARTMENT AND TO THE OWNER.
14. PRIOR TO ACCEPTANCE BY THE OWNER THE SYSTEMS SHALL BE TESTED AND BALANCED BY THE CONTRACTOR. PROVIDE A WRITTEN REPORT.
15. SUPPLY AND INSTALL DUCT MOUNTED SMOKE DETECTORS AS REQUIRED.
16. COORDINATE LOCATION OF CEILING DIFFUSERS, GRILLES AND REGISTERS IN THE FIELD WITH LIGHTS AND ARCHITECTURAL ELEMENTS.
17. ALL GRILLES TO BE TINUS OR METALLARE UNLESS OTHERWISE NOTED. SIZES AS SHOWN ON PLANS. ALUMINUM CONSTRUCTION.
18. ALL DUCT WORK SHALL BE BUILT AND INSTALLED IN ACCORDANCE WITH SMACNA STANDARDS AND LOCAL BUILDING CODES.
19. ALL DUCT SIZES ARE CLEAR INSIDE DIMENSIONS.
20. ALL OUTSIDE AIR DUCTWORK SHALL BE SHEETMETAL WITH EXTERIOR R-6 INSULATION. PROVIDE BLANKET TYPE INSULATION IN CONCEALED SPACES, AND BOARD TYPE IN EXPOSED AREAS.
21. ALL EXHAUST AIR DUCT SHALL BE GALVANIZED SHEET METAL CONSTRUCTED AND INSTALLED IN ACCORDANCE WITH ASHRAE AND SMACNA STANDARDS.
22. FLEXIBLE DUCT, WHERE SHOWN, SHALL BE UL CLASS 1, R-6 INSULATION.
23. LOW PRESSURE SUPPLY AND RETURN RECTANGULAR DUCTWORK IS RIGID DUCTBOARD, 1" IN THICK, R-4.2 INSULATION.
24. PROVIDE ELBOW TURNING VANES IN ALL RECTANGULAR DUCTS WHERE TURNS ARE GREATER THAN 45 DEGREES.
25. PROVIDE BACKDRAFT DAMPERS FOR ALL EXHAUST FANS.
26. VERIFY ALL THERMOSTAT LOCATIONS WITH THE LANDLORD.
27. CONDENSATE DRAIN PIPING SHALL BE ABOVE GRADE COPPER DRAIN, WASTE AND VENT FITTINGS. INSULATE ALL CONDENSATE PIPING W/3/4" IMCOA IMCLOCK PIPE INSULATION.

**GENERAL DEMOLITION NOTES**

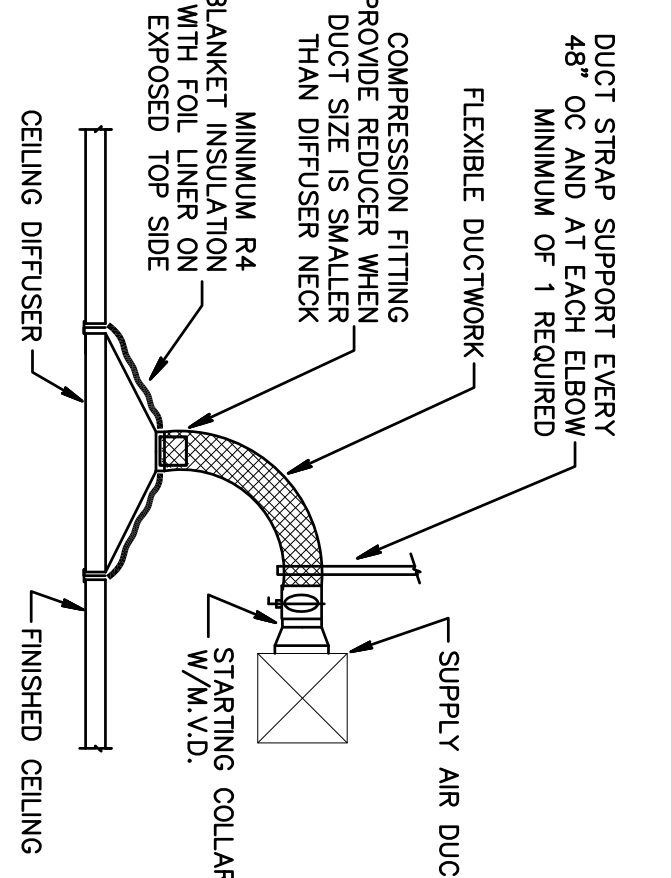
1. UNLESS OTHERWISE NOTED, ALL EQUIPMENT AND DUCTWORK IN THE PROJECT AREA WHICH IS NOT INDICATED TO REMAIN, IS TO BE REMOVED. THE CONTRACTOR SHALL INVESTIGATE THE PROJECT AREA PRIOR TO BID TO DETERMINE ALL REQUIRED DEMOLITION.
2. EXISTING CONDITIONS SHOWN ON THIS DRAWING ARE TAKEN FROM ORIGINAL DRAWINGS AND FIELD INVESTIGATION. ALL EXISTING CONDITIONS MUST BE VERIFIED PRIOR TO BID. FIELD CONDITIONS SHALL GOVERN.
3. DEMOLITION WORK IS NOT SPECIFICALLY IDENTIFIED ON THESE PLANS, AND MAY BE DESCRIBED ON THE ARCHITECT'S PLANS. THE CONTRACTOR IS RESPONSIBLE FOR ALL REQUIRED DEMOLITION WHETHER SHOWN ON THE PLANS OR NOT.
4. ALL MECHANICAL SYSTEMS SERVING OTHER SPACES OR FLOORS, THAT RUN THROUGH THE PROJECT AREA SHALL REMAIN ACTIVE DURING CONSTRUCTION, SO AS NOT TO CAUSE ANY DISRUPTION TO THESE OTHER SPACES.
5. ALL ITEMS REMOVED UNDER THIS PROJECT SHALL BE DISPOSED OF OR TURNED OVER TO THE OWNER AT THE OWNER'S DISCRETION.
6. PROPERLY REMOVE AND DISPOSE OF ALL HVAC DUCTWORK AND AIR DISTRIBUTION DEVICES WHICH ARE TO BE REMOVED. CONSULT WITH OWNER AND OBTAIN THE OWNER'S APPROVAL PRIOR TO DISPOSAL OF REMOVED MATERIAL.
7. IT IS THE CONTRACTOR'S RESPONSIBILITY TO ENSURE THAT ALL PIPING AND DUCTS, NEW OR EXISTING, WITHIN THE PROJECT AREA, ARE PROPERLY SUPPORTED.
8. ALL OCCUPIED SPACES ARE TO REMAIN OPERATIONAL DURING BUSINESS HOURS THROUGHOUT THE DEMOLITION AND CONSTRUCTION PERIOD. COORDINATE ALL WORK AS DESCRIBED IN THE ARCHITECT'S DOCUMENTS.



**DUCT TRANSITIONS**



**BRANCH DUCT DETAIL**



**CEILING DIFFUSER DETAIL**

**AIR DISTRIBUTION SCHEDULE**

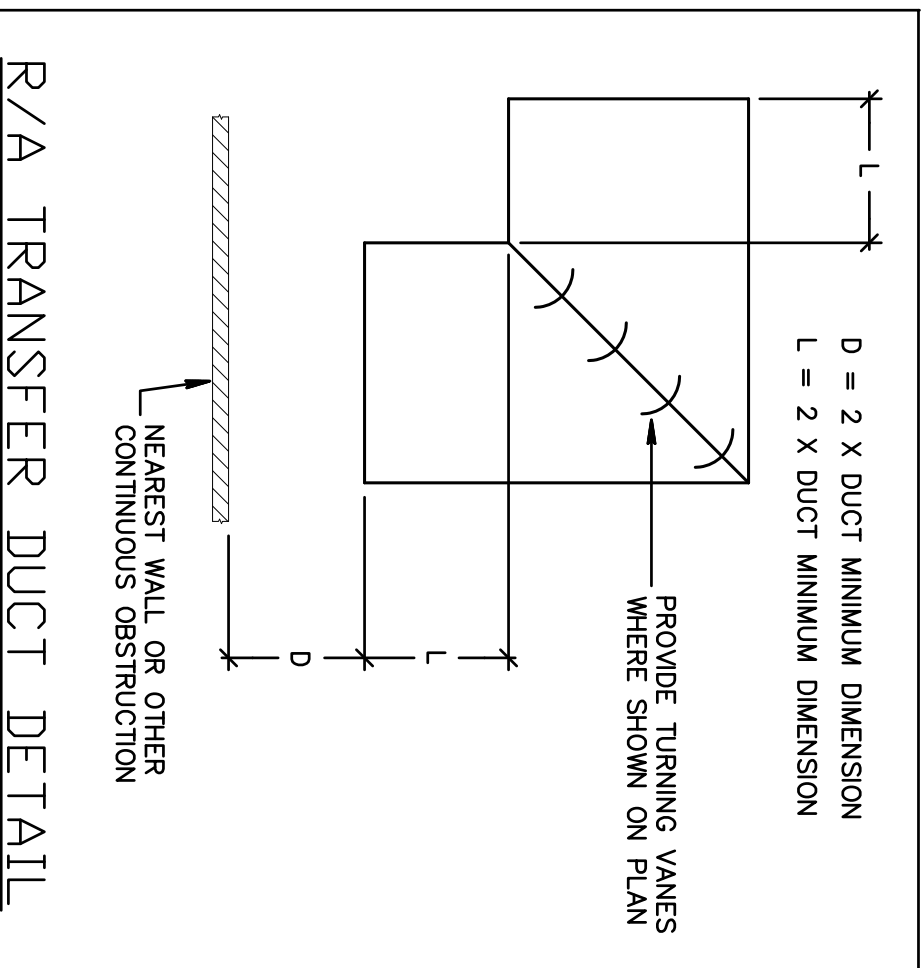
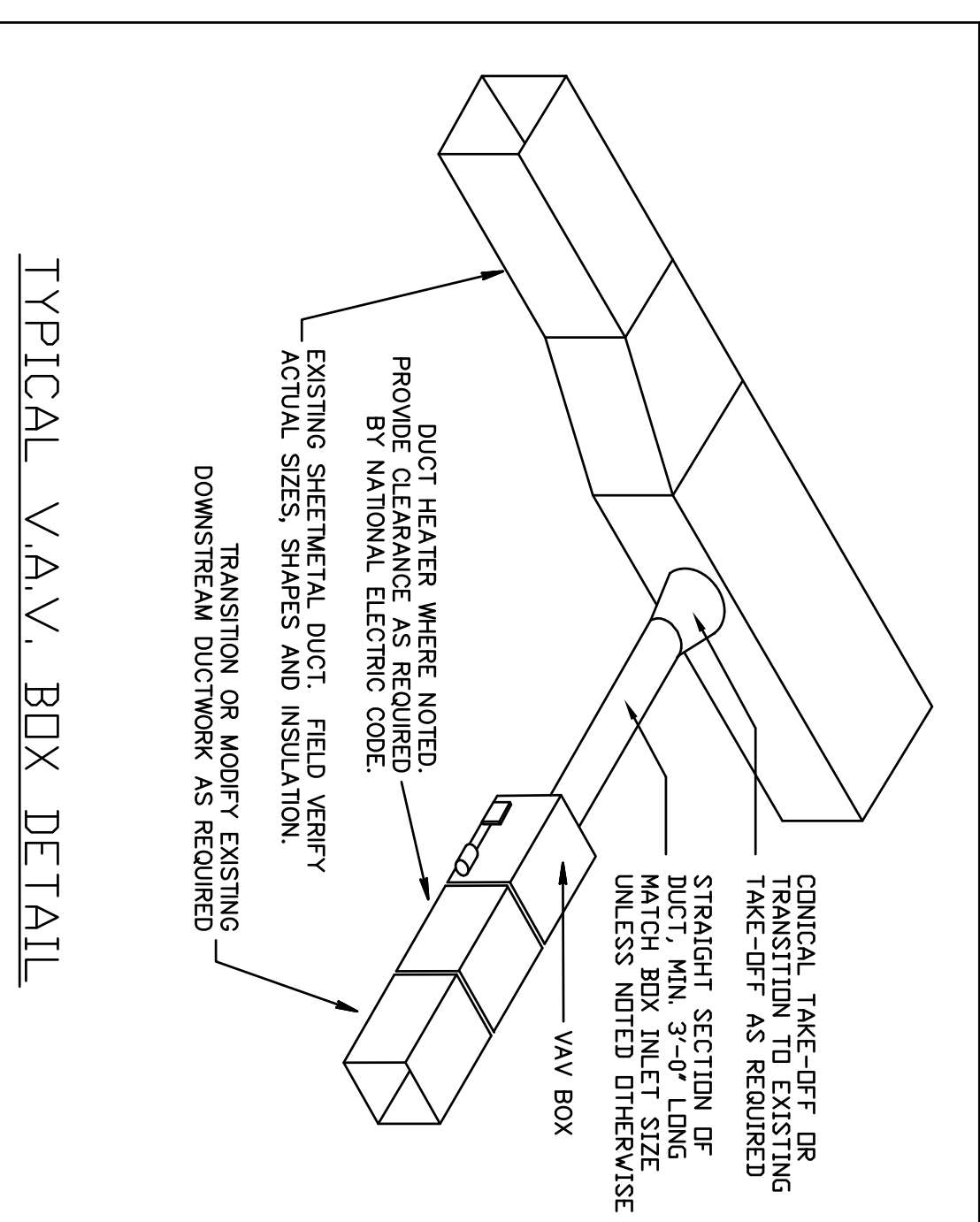
MARK	MAKE	MODEL	SIZE	NECK	MATERIAL	BORDER TYPE	MOUNTING TYPE	DAMPER	THROW	FINISH	REMARKS
A	TTUS	PAR-AA	24X24	6"	ALUMINUM	3	LAY-IN	AG-100	4 WAY	WHITE	SEE NOTES
A1	TTUS	PAR-AA	24X24	6"	ALUMINUM	1	SURFACE	AG-100	1 WAY	WHITE	SEE NOTES
B	TTUS	PAR-AA	24X24	8"	ALUMINUM	3	LAY-IN	AG-100	4 WAY	WHITE	SEE NOTES
C	TTUS	PAR-AA	24X24	10"	ALUMINUM	3	LAY-IN	AG-100	4 WAY	WHITE	SEE NOTES
R1	TTUS	PAR-AA	24X24	22X22	ALUMINUM	3	LAY-IN	-	-	WHITE	SEE NOTES

PROVIDE OFF-WHITE FINISH AND SUBMITTALS TO ARCHITECT FOR APPROVAL.  
 PROVIDE ROUND FLEXIBLE DUCT RUN-OUT SIZED TO MATCH S/A DIFFUSER NECK UNLESS NOTED OTHERWISE.  
 PROVIDE ROUND FLEXIBLE DUCT RUN-OUT SIZED TO MATCH S/A DIFFUSER NECK AS REQUIRED FOR DUCT CONNECTIONS. MINIMUM BOX HEIGHT IS 1/2 OF NECK WIDTH.  
 PROVIDE DAMPERS ONLY WHERE DAMPER IS NOT ACCESSIBLE AT DUCT TAKE-OFF ABOVE CEILING.

**EXISTING VAV TERMINAL BOX SCHEDULE**

MARK	MANUF.	MODEL NO.	INLET SIZE	GEN. MAX.	GEN. MIN.	HEAT STEP	VOLT-PH-HZ	REMARKS
VE-1	NAILOW	P309E	8"	800	250	3	277-1-60	NOTES 1 THRU 5
VE-2	NAILOW	P3001	8"	550	150	-	-	NOTES 1 THRU 4
VE-3	NAILOW	P309E	10"	1225	350	6	277-1-60	NOTES 1 AND 5
VE-4	NAILOW	P309E	8"	800	250	4	277-1-60	NOTES 1 AND 5

1. RE-BALANCE UNIT MINIMUM AND MAXIMUM AIR QUANTITIES AND ALL AIR OUTLETS.
2. EXISTING UNIT TO BE RE-LOCATED AS SHOWN. VACUUM CLEAN INTERIOR AND EXTERIOR.
3. PROVIDE NEW PNEUMATIC TUBING AS REQUIRED. RE-INSTALL PER THESE PLANS.
4. TRANSITION AS REQUIRED FROM OUTLET SIZE TO DUCT SIZE SHOWN ON PLAN.
5. TRANSITION FROM INLET SIZE TO SUPPLY DUCT SIZE AS SHOWN ON FLOOR PLANS.
6. PROVIDE ROUND DUCT TO MATCH INLET SIZE UNLESS NOTED OTHERWISE.
7. FIELD VERIFY MINIMUM AIRFLOW SETTING REQUIRED FOR HEATER OPERATION.



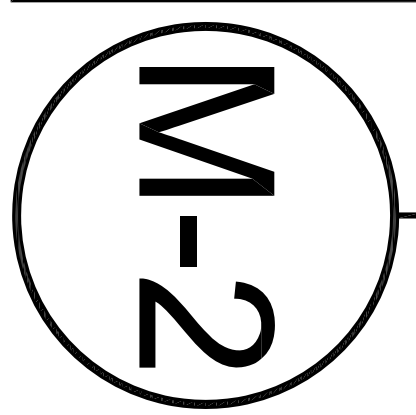

**Gilman & Associates, Inc.**  
 MECHANICAL & ELECTRICAL ENGINEERS  
 507 NORTH LAKEWOOD DRIVE  
 Lake Worth, FL 33460 C.A.\*009078  
 (561) 582-0210 Fax (561) 582-8212  
 RONALD D. GILMAN P.E. \*37933


**birse design inc.**  
 5300 woodland lakes drive  
 palm beach gardens, fl 33418  
 phone 561-249-4001  
 fax 772-409-8684  
 AA26001615

**GLEN TORCIVIA**  
 NORTHPOINT CORPORATE CENTER  
 701 NORTHPOINT PARKWAY  
 WEST PALM BEACH, FL  
 PROJECT NUMBER NP17

**REVISIONS**  
 1 \_\_\_\_\_  
 2 \_\_\_\_\_  
 3 \_\_\_\_\_  
 4 \_\_\_\_\_  
 5 \_\_\_\_\_

DRAWN BY DR  
**CD**  
 4-9-12


**M-2**