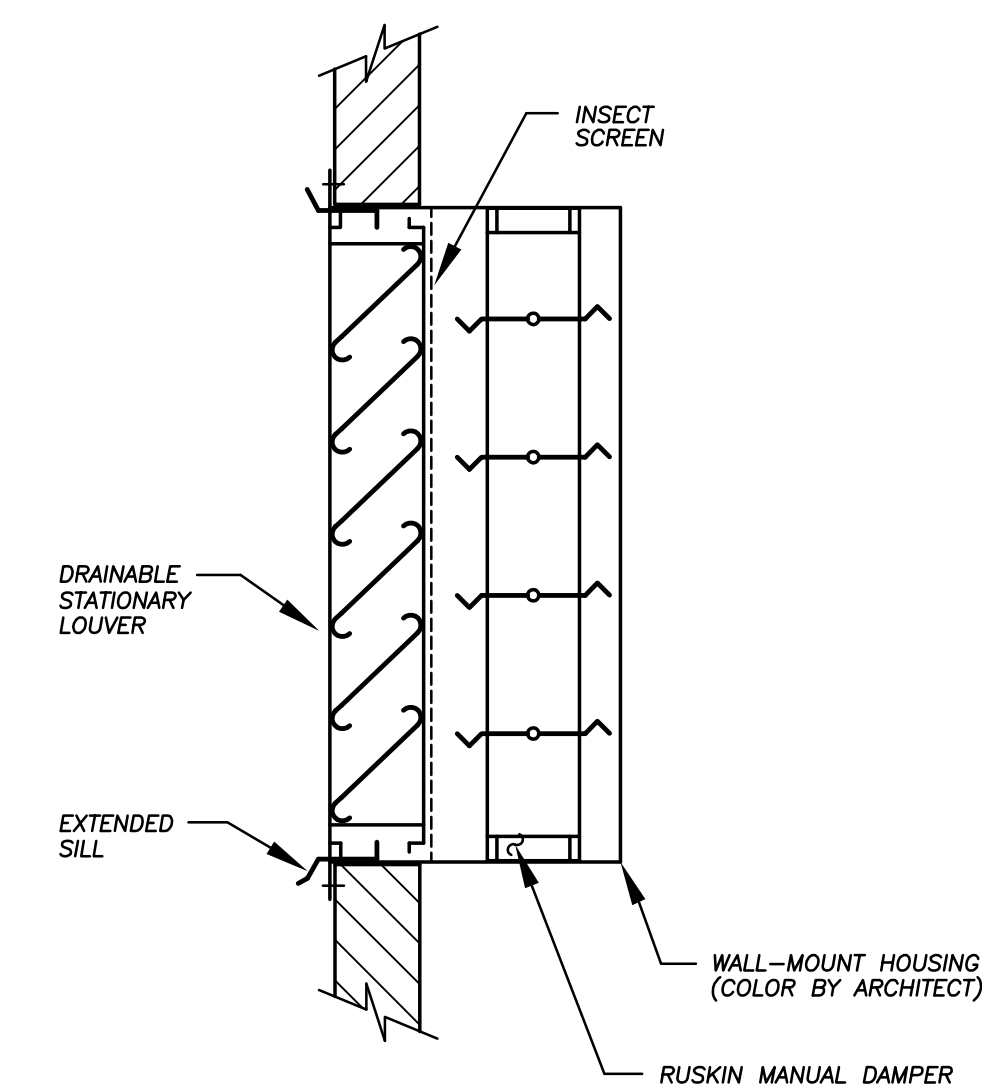


FAN SCHEDULE											
UNIT NO.	GREENHECK MODEL NO.	SERVICING	TYPE	CFM	SP	RPM	ELECTRIC	AMPS	WATTS (HP)	DUCT DIA. [IN]	NOTES
1	BSQ-180	STORAGE	INLINE	4000	0.30	1220	240V/1Ø	-	(1.5)	28x3	1,2,3,5,6,8,9
2	BSQ-140	STORAGE	INLINE	2000	0.20	1905	240V/1Ø	-	(3/4)	23x20	1,2,3,5,6,8,9

NOTES:
 1. BACKDRAFT DAMPER
 2. HANGING VIBRATION ISOLATORS
 3. PROVIDE SPEED CONTROLLER MOUNTED TO FAN TO BALANCE AIR FLOW.
 4. PROVIDE CORROSION RESISTANT FASTENERS- STAINLESS STEEL
 5. PROVIDE ALUMINUM HOUSING, ALUMINUM WHEEL, ALUMINUM MOTOR COVER AND ALUMINUM INLET GUARD.
 6. PROVIDE NEMA-1 TOGGLE SWITCH, MOUNTED & WIRED.
 7. PROVIDE HI-PRO PLY IVORY- COAT ENTIRE FAN AND FACTORY ATTACHED ACCESSORIES
 8. FAN SHALL BE SPARK RESISTANT.
 9. CONTROLLED BY CARBON MONOXIDE & HYDROGEN DETECTORS WITH A MANUAL OVERRIDE.

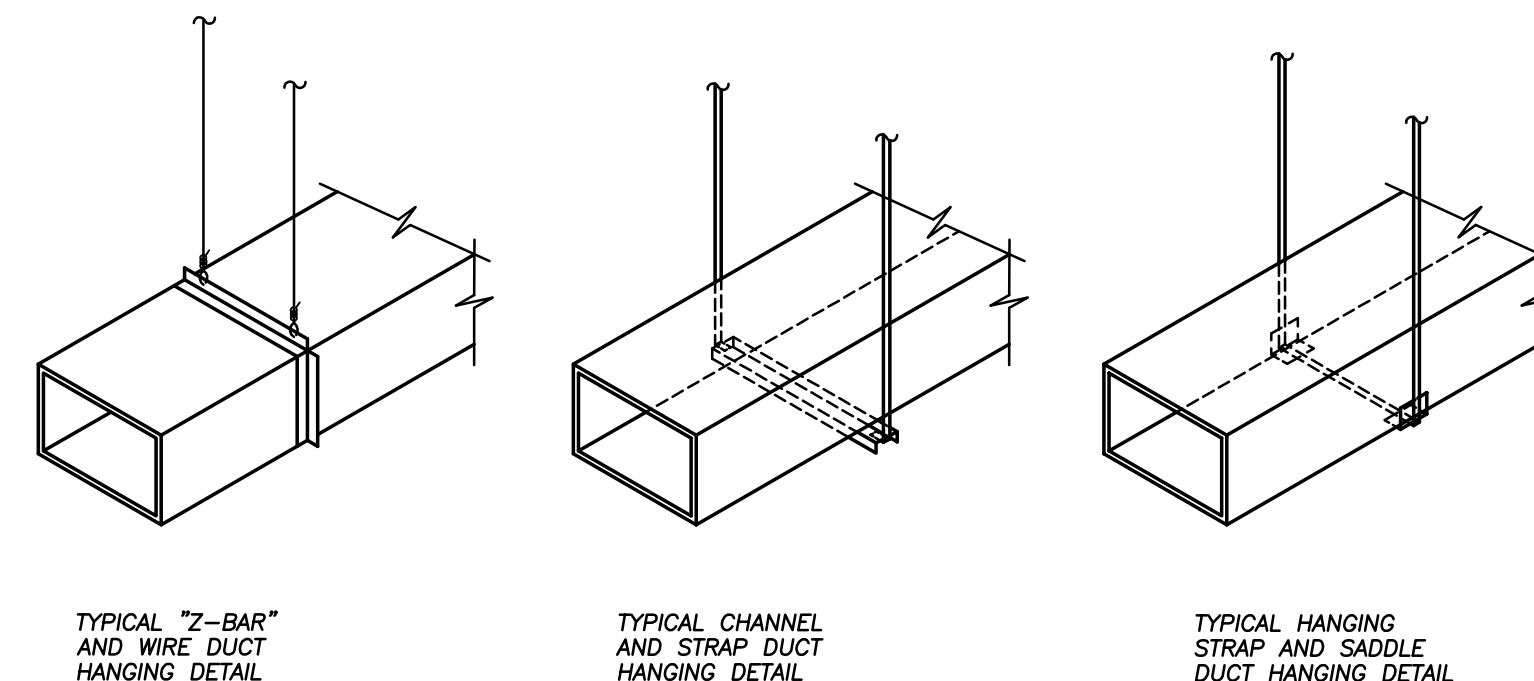


SIDEWALL LOUVER / DAMPER COMBINATION DETAIL N.T.S.

EXHAUST AIR SCHEDULE								
SYSTEM NO.	ROOM NAME	ROOM NO.	AREA FT²	ROOM CLASSIFICATION	NO. FIXTURES	ASHRAE STD. 62.1-2001	REQUIRED EXHAUST	EXHAUST PROVIDED
EF-1	STORAGE	-	2220	STORAGE	-	1.5 CFM/SQ.FT.	3330	4000
							TOTAL	4000
EF-2	STORAGE	-	1160	STORAGE	-	1.5 CFM/SQ.FT.	1740	2000
							TOTAL	2000

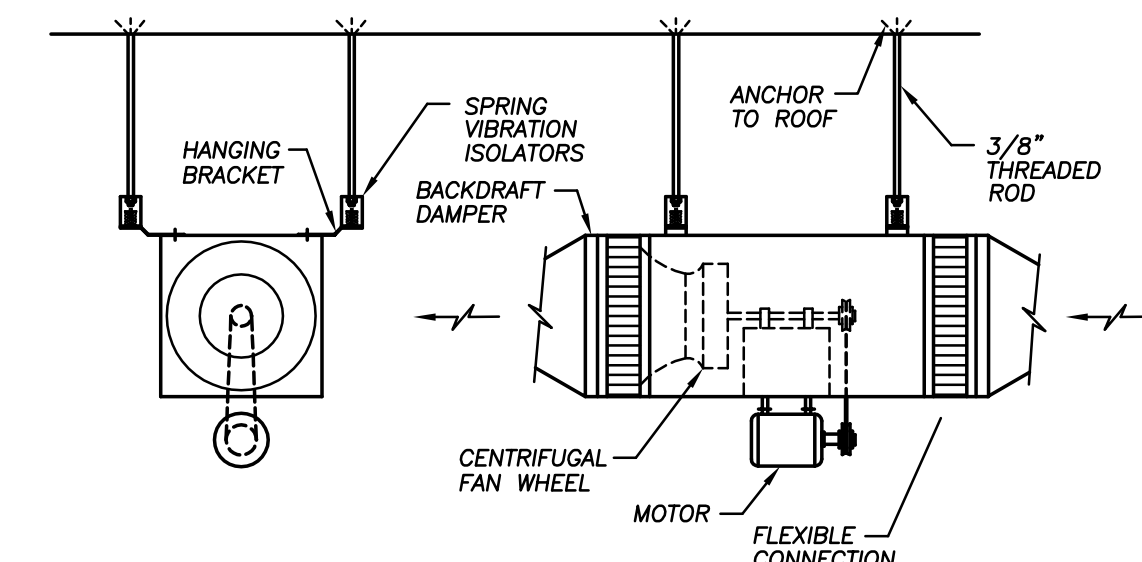
DUCT SCHEDULE			
DUCT APPLICATION	DUCT MATERIAL	INSULATION	REMARKS
GENERAL EXHAUST	GALVANIZED STEEL	NONE	
STORAGE EXHAUST	GALVANIZED STEEL	NONE	

1. FOR ADDITIONAL INFORMATION REFER TO WRITTEN SPECIFICATIONS.



DUCT HANGING METHODS DETAIL N.T.S.

NOTE:
HANG DUCTS ACCORDING TO SMACNA STANDARDS



INLINE CENTRIFUGAL FAN DETAIL N.T.S.

SEQUENCE OF OPERATION			
THE HVAC SYSTEM SHOULD OPERATE THE MECHANICAL EQUIPMENT ACCORDING TO THE FOLLOWING TABLE.			
MODE OF OPERATION	EF-1,2	DAMPERS	
① OCCUPIED/UNOCCUPIED - HYDROGEN SENSOR OR CO SENSOR OR TEMP. ABOVE 85°, (ADJUSTABLE)	ON	OPEN	
② OCCUPIED- NO SENSOR ACTIVE	ON	OPEN	
③ OCCUPIED- MANUAL OVERRIDE	ON	OPEN	
④ UNOCCUPIED	OFF	CLOSED	

NOTES:
 1. UPON DETECTION OF HYDROGEN OR CO, START SIGNAL SENT TO GARAGE DOORS TO OPEN 4" (ADJUSTABLE) ABOVE GRADE & EF-1,2.
 2. AFTER 60 MINUTES (ADJUSTABLE) EXHAUST FAN AND MOTORIZED DAMPER TO CLOSE.

DESIGNED BY	
DRAWN BY	
CHECKED DAW	
PROJ. ENGR.	
NO.	02/13/2012
DATE	NEW TITLE BLOCK
ISSUED FOR	
BY	TMM
PROJ. NO.	2011.049

THE SCALE BAR SHOWN BELOW MEASURES ONE INCH LONG ON THE ORIGINAL DRAWING.

DAVID A. WOJCISZAK, P.E.

03/16/2012
DATE SIGNED

LICENSE NO. 32091

HAZEN AND SAWYER
Environmental Engineers & Scientists

2101 Corporate Boulevard, Suite 301
Boca Raton, Florida 33431
Certificate of Authorization Number: 2771

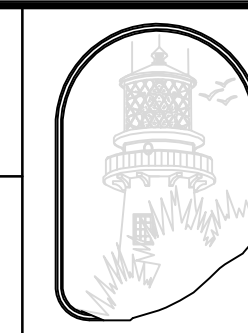
宋 Song + Associates
Architecture • Planning • Interior Design

400 American Ave S. 6th Floor
West Palm Beach, Florida 33401

Tel: 561-855-3423
Fax: 561-855-1482
AA - 0003165 IB - 0001095

TOWN OF JUPITER,
FLORIDA

EMERGENCY OPERATIONS CENTER
POLE BARN



HVAC SCHEDULES AND DETAILS

DATE	MARCH 2012
PROJECT NUMBERS	W1206 11025
DRAWING NUMBER	M-2