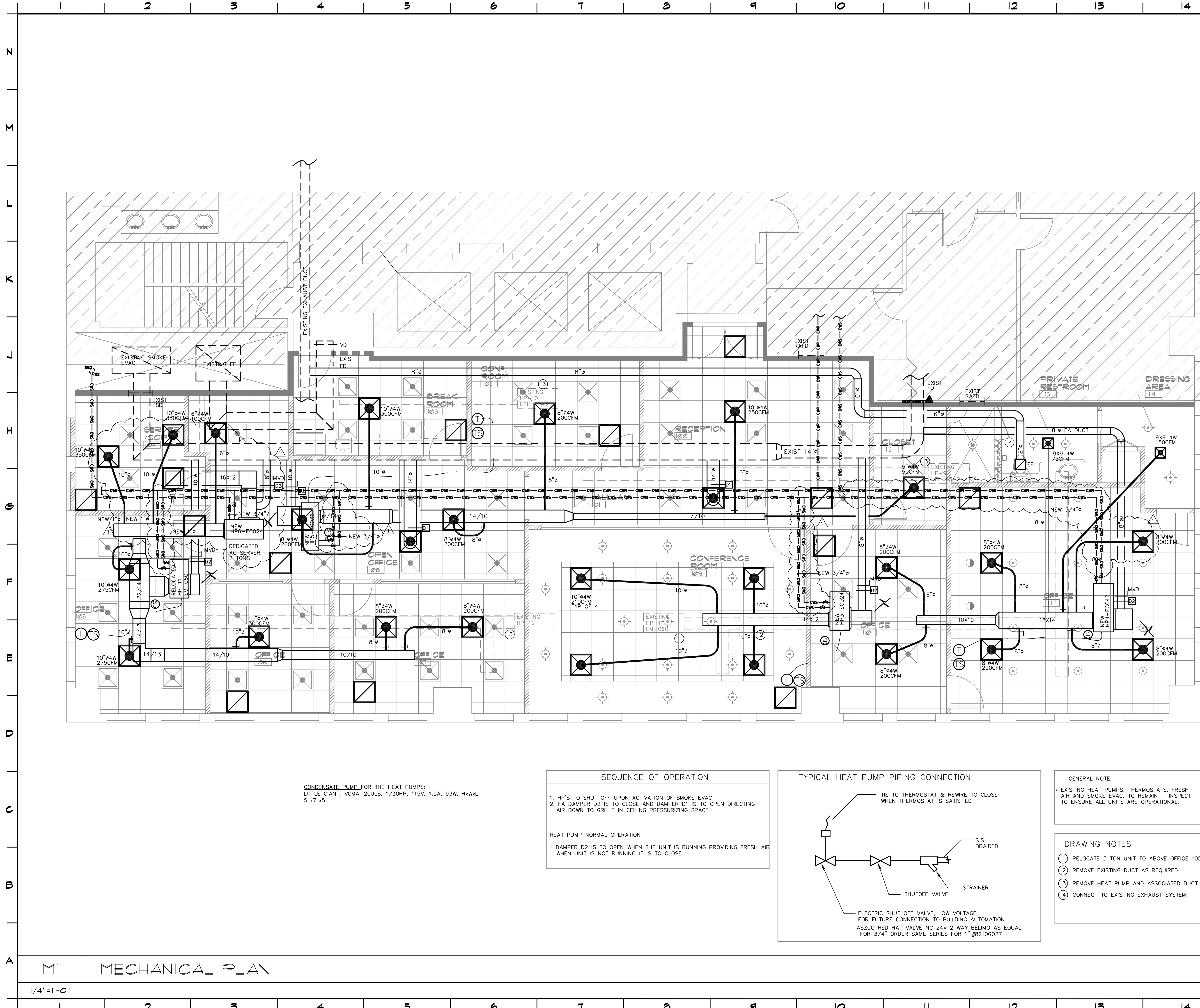


E:\2010\10100-10190\10146\Esperante - PBF Energy, Suite 1510 - YoshinoDrawings\10146M1.dwg, 8/16/2010 12:08:00 PM, ALISON, Loucks Engineering, Inc., All Rights Reserved 2010



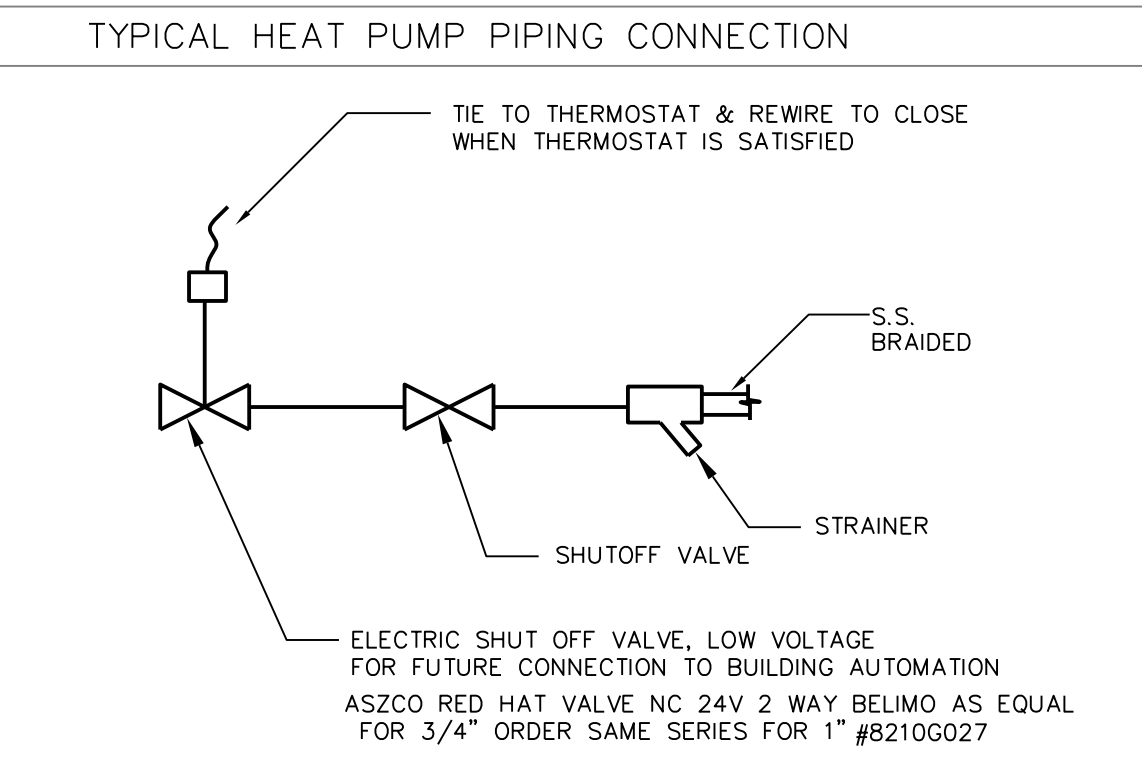
CONDENSATE PUMP FOR THE HEAT PUMPS:  
LITTLE GIANT, VCMA-20ULS, 1/30HP, 115V, 1.5A, 93W, HxWxL:  
5"x7"x5"

**SEQUENCE OF OPERATION**

1. HP'S TO SHUT OFF UPON ACTIVATION OF SMOKE EVAC  
2. FA DAMPER D2 IS TO CLOSE AND DAMPER D1 IS TO OPEN DIRECTING AIR DOWN TO GRILLE IN CEILING PRESSURIZING SPACE

**HEAT PUMP NORMAL OPERATION**

1 DAMPER D2 IS TO OPEN WHEN THE UNIT IS RUNNING PROVIDING FRESH AIR. WHEN UNIT IS NOT RUNNING IT IS TO CLOSE



**GENERAL NOTE:**

- EXISTING HEAT PUMPS, THERMOSTATS, FRESH AIR AND SMOKE EVAC. TO REMAIN - INSPECT TO ENSURE ALL UNITS ARE OPERATIONAL.

**DRAWING NOTES**

- RELOCATE 5 TON UNIT TO ABOVE OFFICE 105
- REMOVE EXISTING DUCT AS REQUIRED
- REMOVE HEAT PUMP AND ASSOCIATED DUCT
- CONNECT TO EXISTING EXHAUST SYSTEM

**LEGEND**

**H.V.A.C. LEGEND**

EXISTING (RIGID DUCT)	===
EXISTING (RIGID DUCT REMOVED)	---
NEW (RIGID DUCT)	
EXISTING FLEX	- - -
EXISTING FLEX TO BE REMOVED	- - -
NEW FLEX TO MATCH EXISTING WITH SPIN IN COLLARS/M.V.D.	
NEW OR RELOCATED DIFFUSER	□
EXISTING DIFFUSER	□
NEW OR RELOCATED RETURN AIR GRILLE	□
EXISTING RETURN AIR GRILLE	□
DIFFUSER TO BE RELOCATED/REMOVED	□
RETURN TO BE REMOVED/RELOCATED	□
LINEAR DIFFUSER (EXISTING)	—
LINEAR DIFFUSER (NEW)	—
SPIN IN COLLAR W/M.V.D.	+
SMOKE DETECTOR	⊙
THERMOSTAT	⊙
TEST SWITCH	⊙
FIRE DAMPER	⊙
RETURN AIR GRILLE	⊙
EXHAUST FAN	⊙
LINEAR DIFFUSER	⊙
TRANSFER GRILLE	⊙
SIDE WALL DIFFUSER	⊙
REMOVE	REL
RELOCATE	REL
RAFD (EXIST.)	RAFD
RAFD (NEW)	RAFD
FIRE DAMPER (NEW)	FD
FIRE DAMPER (EXIST)	FD
EXISTING	(E)
NEW	(N)
COLD WATER RETURN	—
COLD WATER SUPPLY	—
CO2 SENSOR - SUBMIT SHOP DWGS PROVIDE SENSOR & CONTROLLER	⊙
MOTORIZED DAMPER	⊙
PNEUMATIC DAMPER	⊙
24V DAMPER	⊙

NOTE: SOME ITEMS MAY NOT BE USED IN THE DRAWING

**YOSHINO TRIESCHMANN DESIGN GROUP**  
6468 East Rogers Circle  
Boca Raton, FL 33487  
F: 561.981.8916 W: www.yoshinoarchitects.com

**Esperante Corporate Center  
222 LAKESVIEW AVE. - WEST PALM BEACH, FL.**

**PBF ENERGY - SUITE #1510**

**MECHANICAL PLAN**

NO.	REVISIONS	DATE
1	NEW SERVER UNIT	8-12-10
2	XX	XX

Project No. **10227.226**  
CAD File No. **10146**  
Date **8/2/10**

**loucks engineering inc.**  
CONSULTING ENGINEERS  
E. PALM BEACH, FL REG #00039  
F. DESIGNER P.E. FL REG #24699  
4520 N.E. 18th Ave. Ste. 200, Ft. Lauderdale, FL 33334  
TEL: 954-938-1881 FLA. REG. #08-0003306

**YOSHINO TRIESCHMANN DESIGN GROUP**  
THIS DOCUMENT IS THE PROPERTY OF YOSHINO TRIESCHMANN DESIGN GROUP AND SHALL NOT BE REPRODUCED WITHOUT THE WRITTEN CONSENT OF YOSHINO TRIESCHMANN DESIGN GROUP