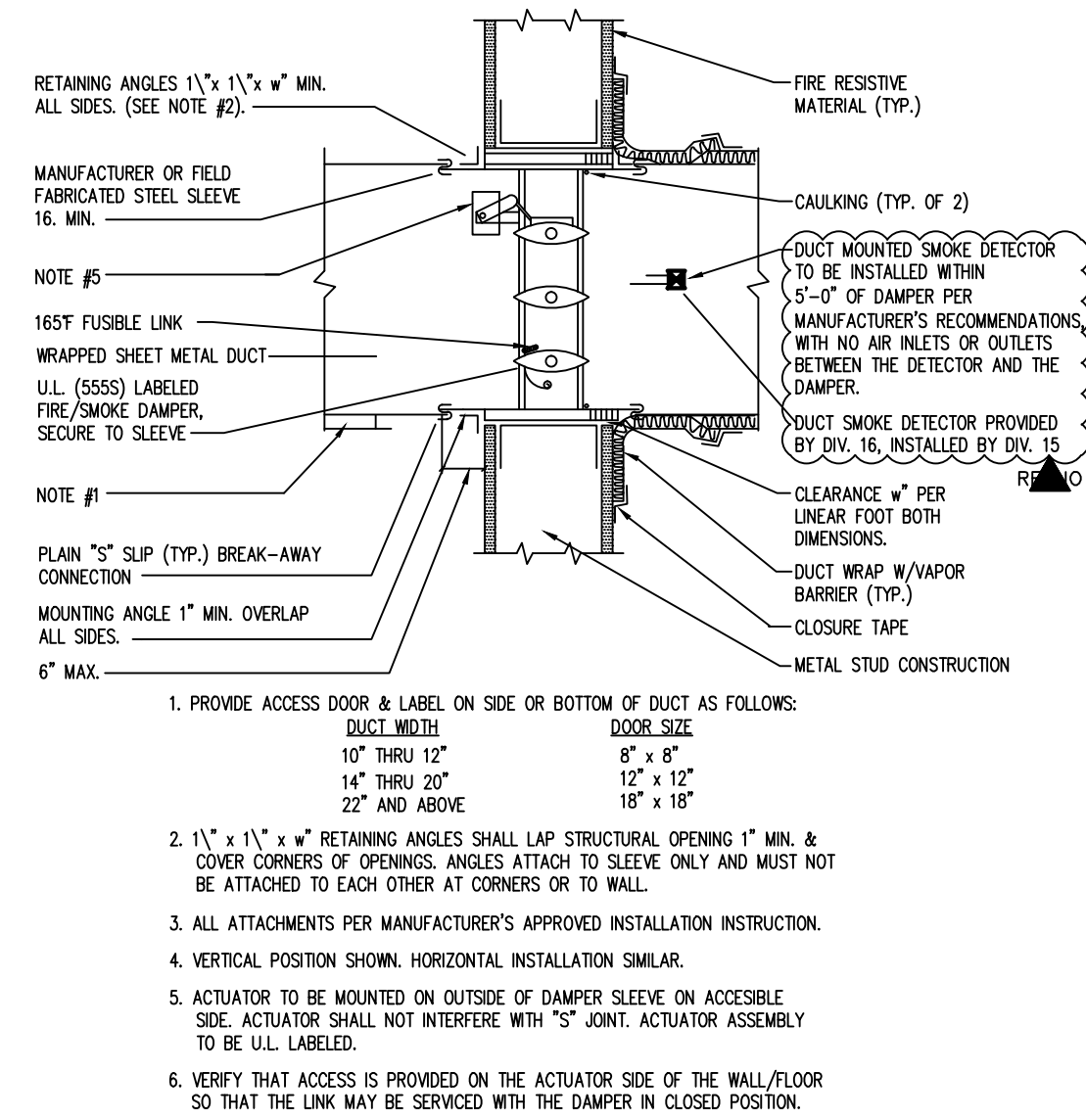
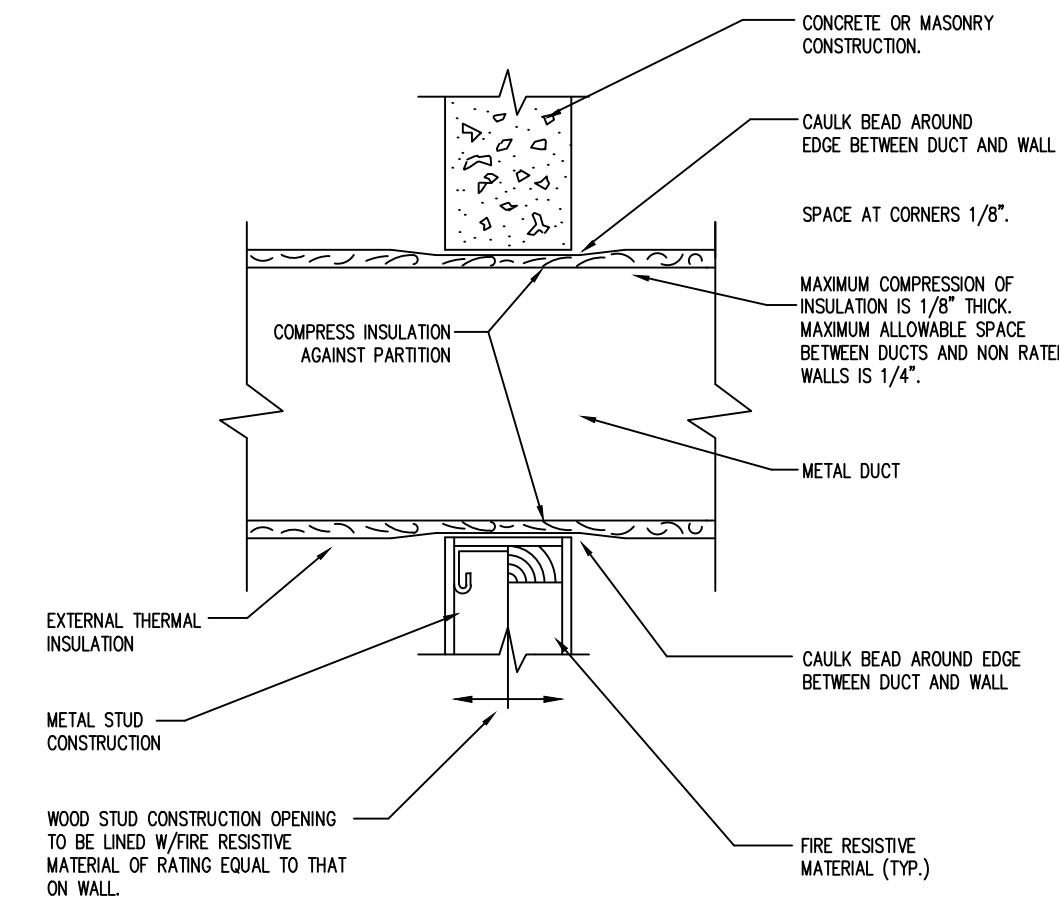


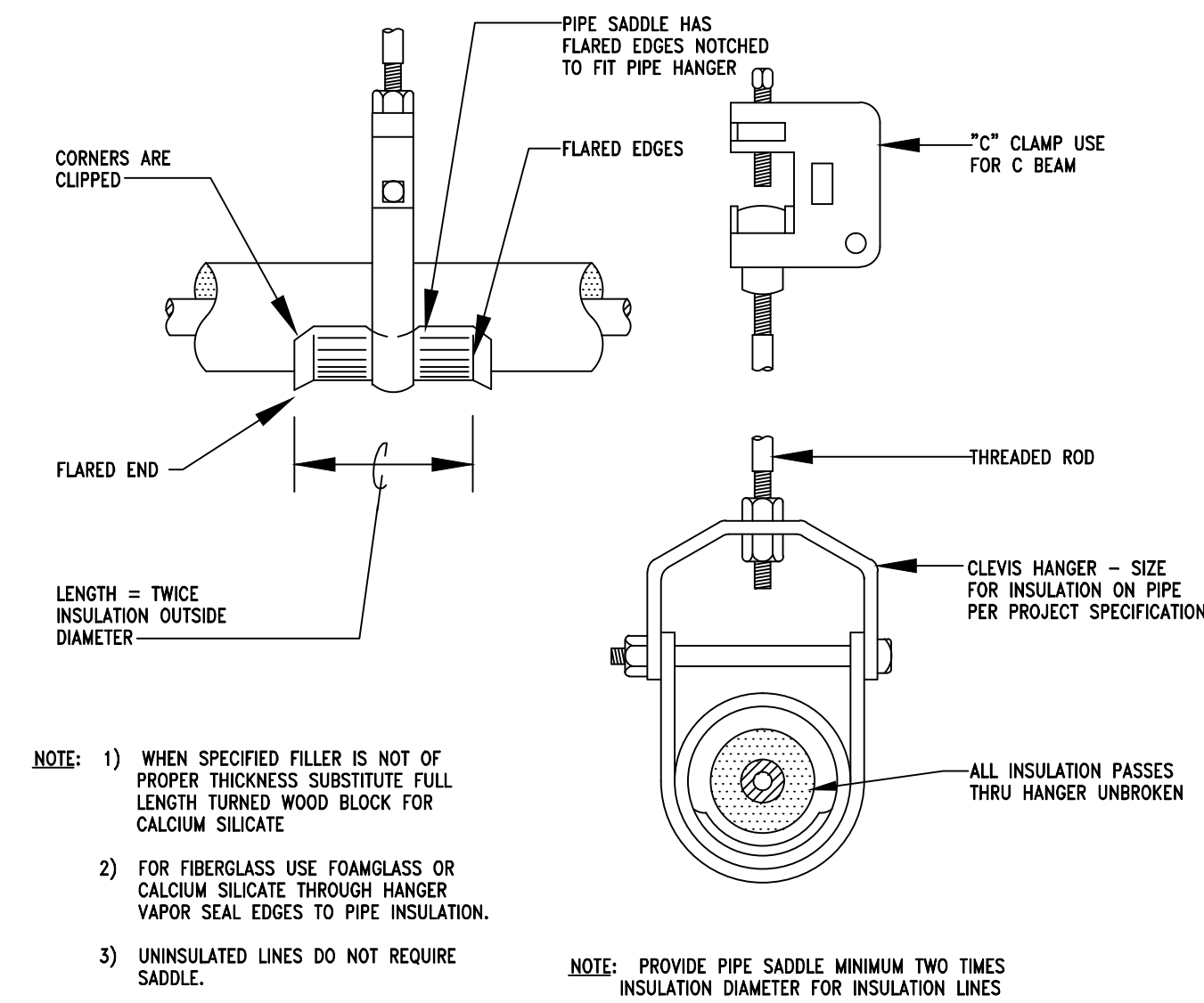
FIRE DAMPER DETAIL



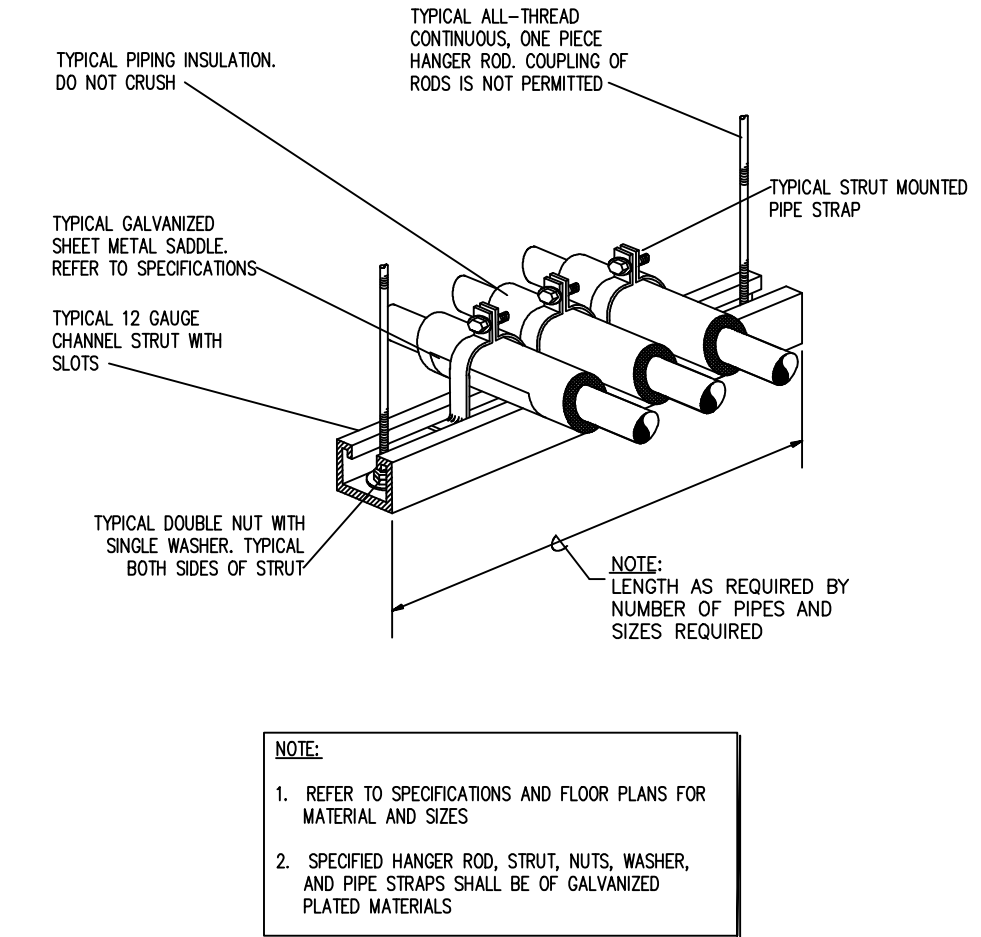
NON-RATED PENETRATIONS



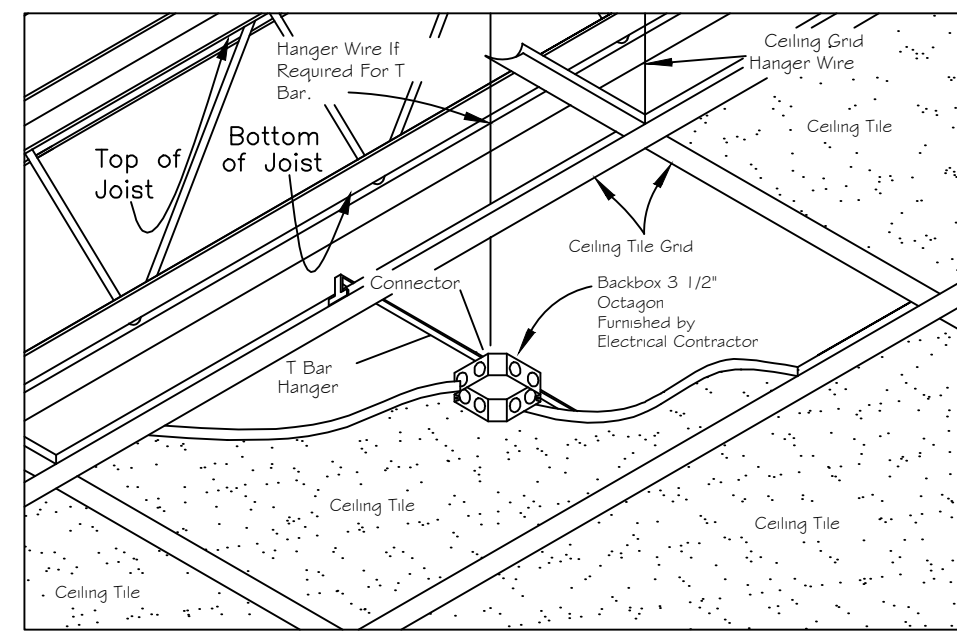
PIPE HANGER DETAIL



REFRIG. PIPE SUPPORT

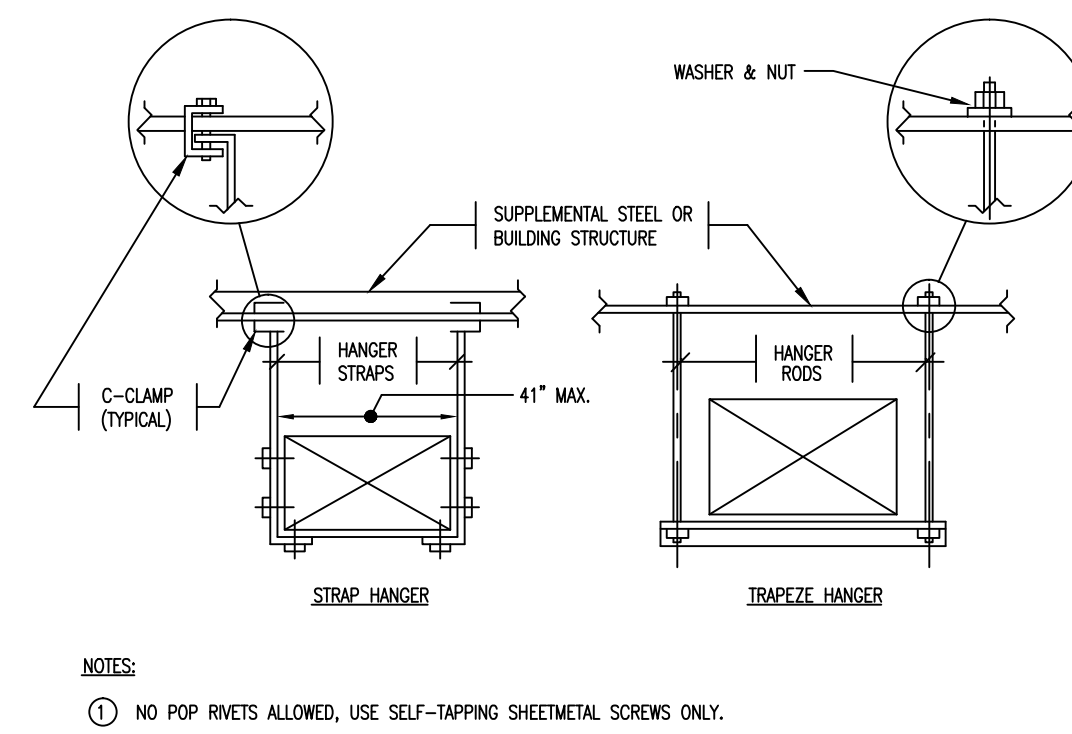


SMOKE DETECTOR (CEILING)

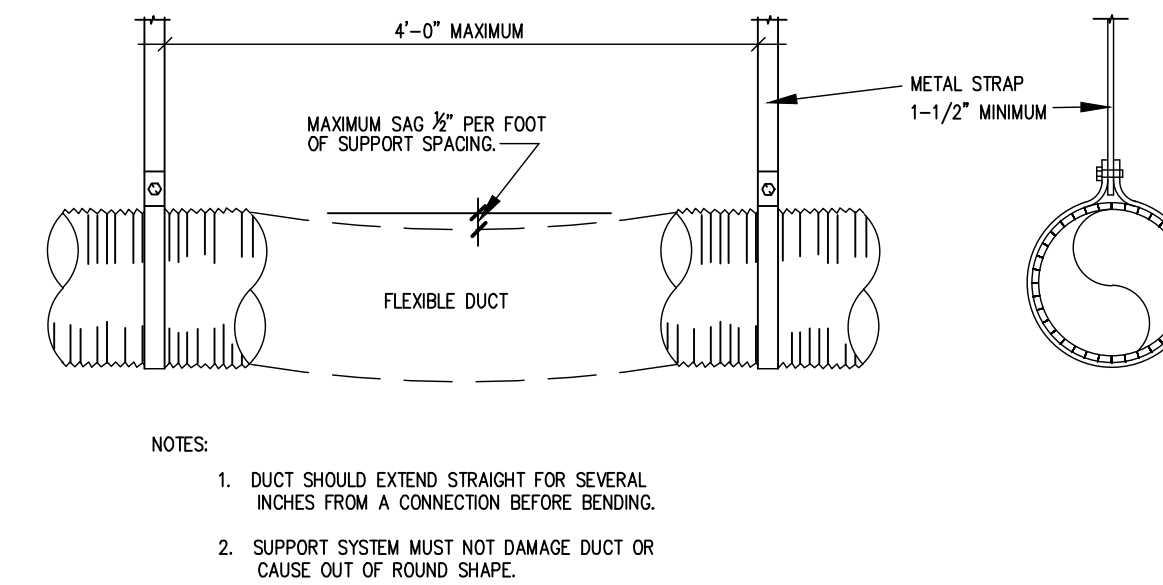


- NOTE:
- ALL SPLICES TO BE MADE PER NEC-760
 - REFERENCES: JOHNNY MASTER CONTRACT SPECIFICATIONS, DESIGN SECTIONS AND CRITERIA PACKAGES.
 - CONDUIT AND BOXES BY ELECTRICAL CONTRACTOR.

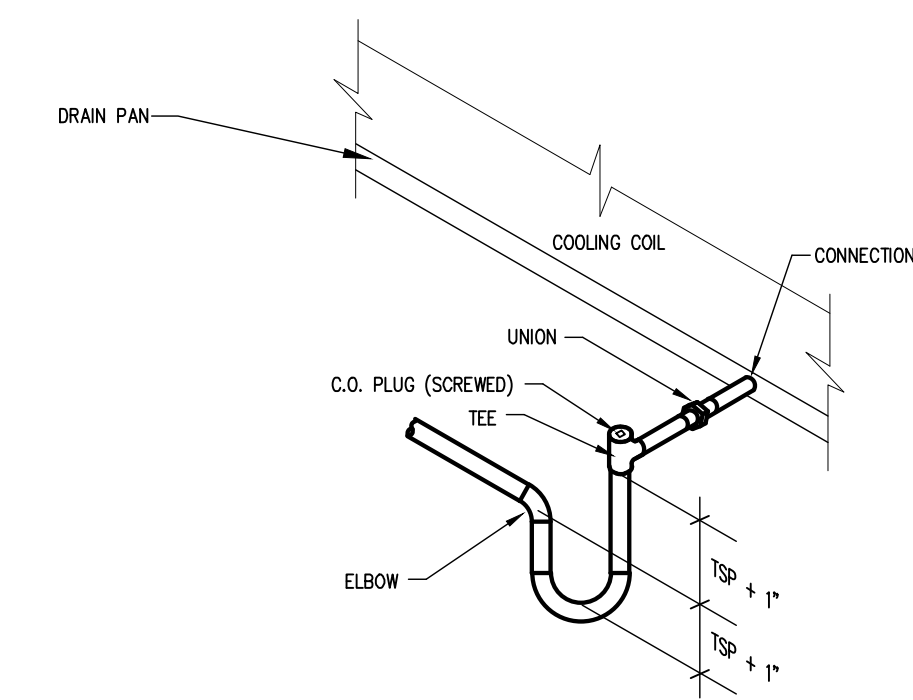
RIGID DUCT HANGER



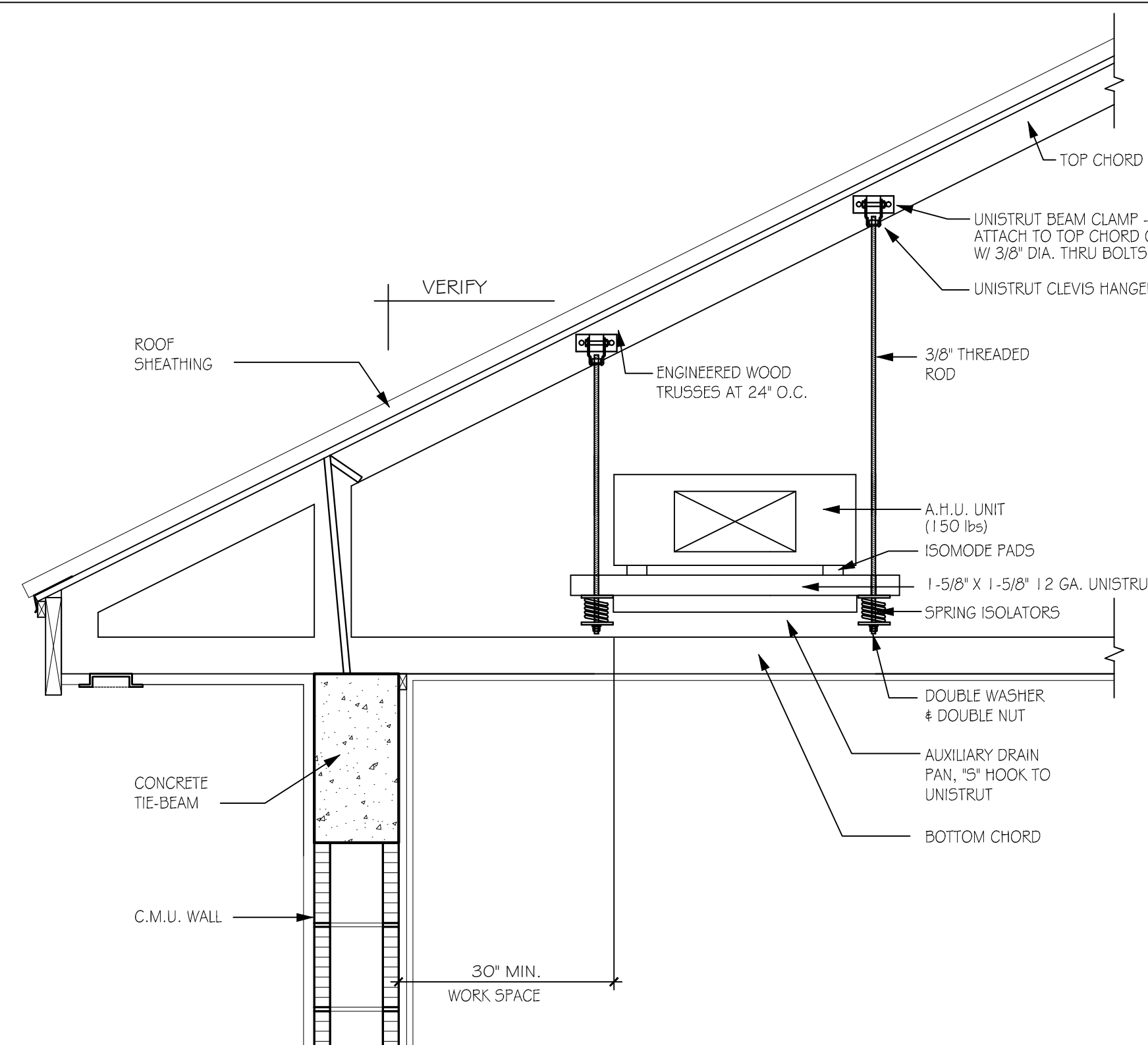
FLEX DUCT HANGER



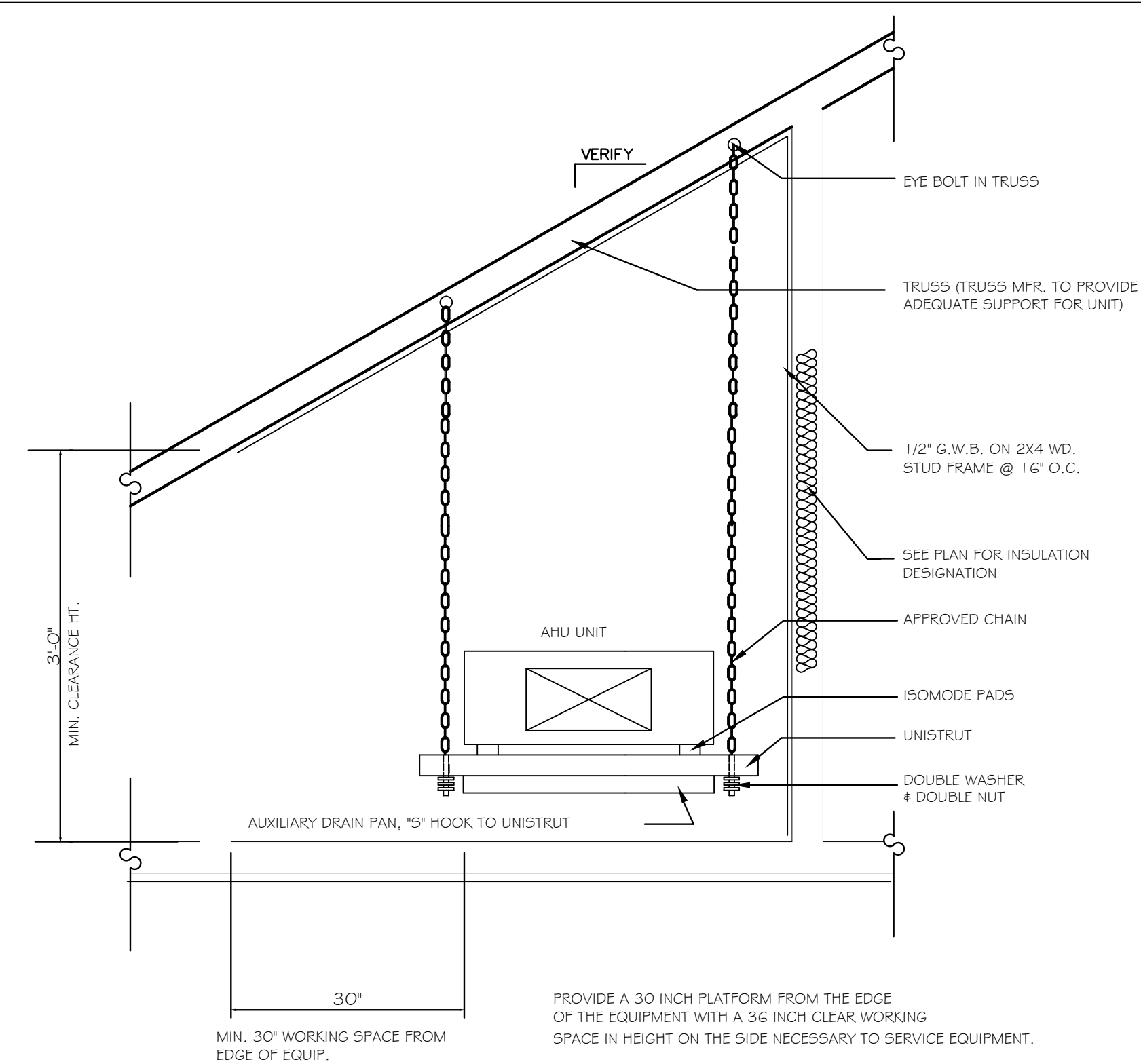
CONDENSATE PIPING DETAIL



AHU ATTIC SUPPORT (THREADED RODS)



AHU ATTIC SUPPORT (CHAINS)



Yates + Associates Architecture, Inc.
AA-26001673
ARCHITECTURE | PLANNING | INTERIOR DESIGN
1215 South Olive, suite 500 |
West Palm Beach, FL 33401 |
TEL: 561-653-8280 FAX: 561-653-8279 |
EMAIL: Kelly@Yates@bellsouth.net |

DATE: APRIL 14, 2011
JOB NO.: 11-0412
DESIGN BY: K.D.Y.
DRAWN BY: D.C.M.
APPROVED: K.D.Y.
REVISIONS:

A NEW RESTAURANT FOR:
WELLY DELI
STREET ADDRESS
CITY
JURISDICTION

80%
REVIEW
SET
8-8-11

SEAL

KELLY D. YATES
FLORIDA AR 13706

SHEET NO.

M-3

OF 8 SHTS
Eqr (18 j v) 422: Mgmt T 01 cgs C10 j gey