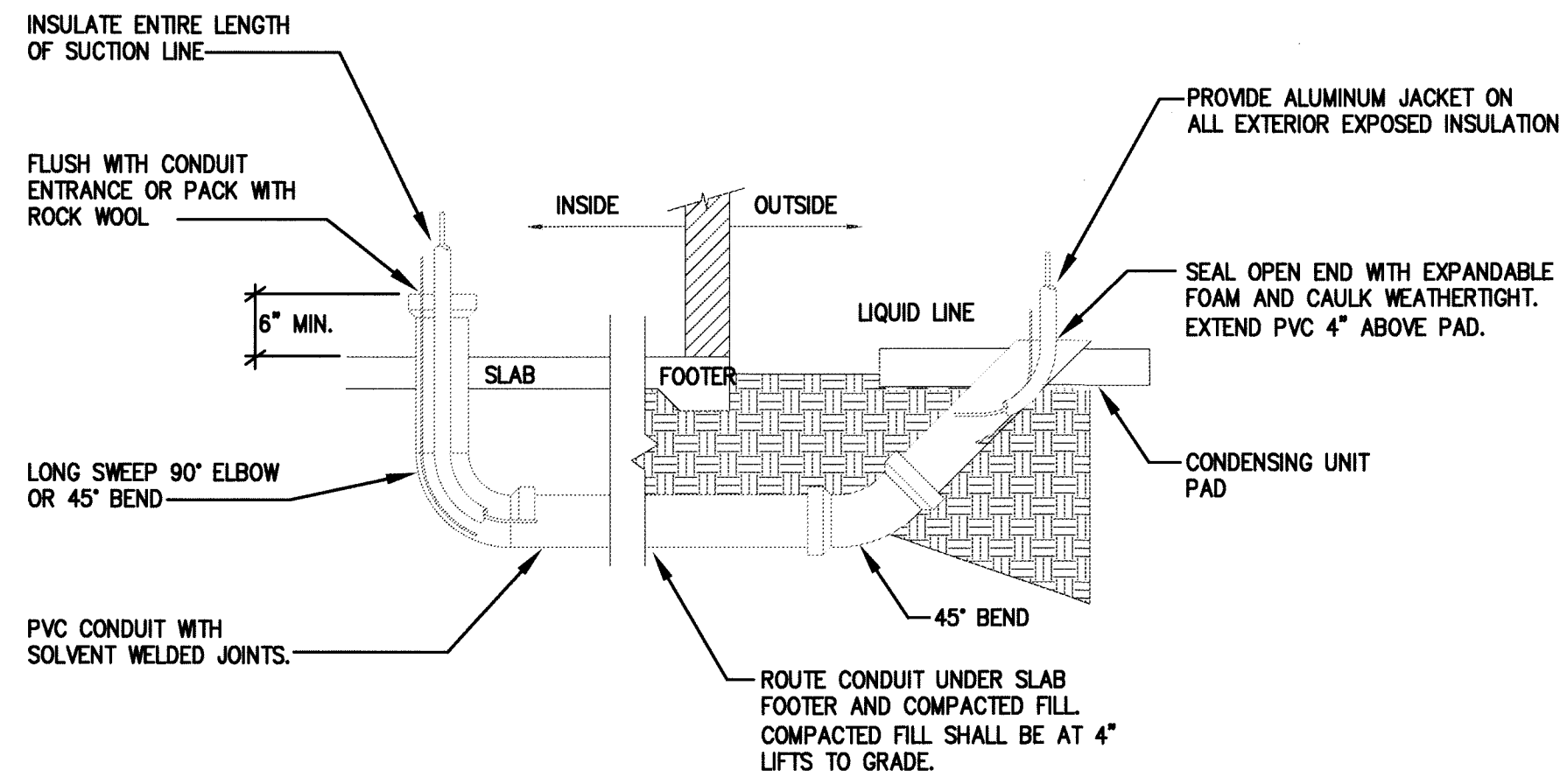
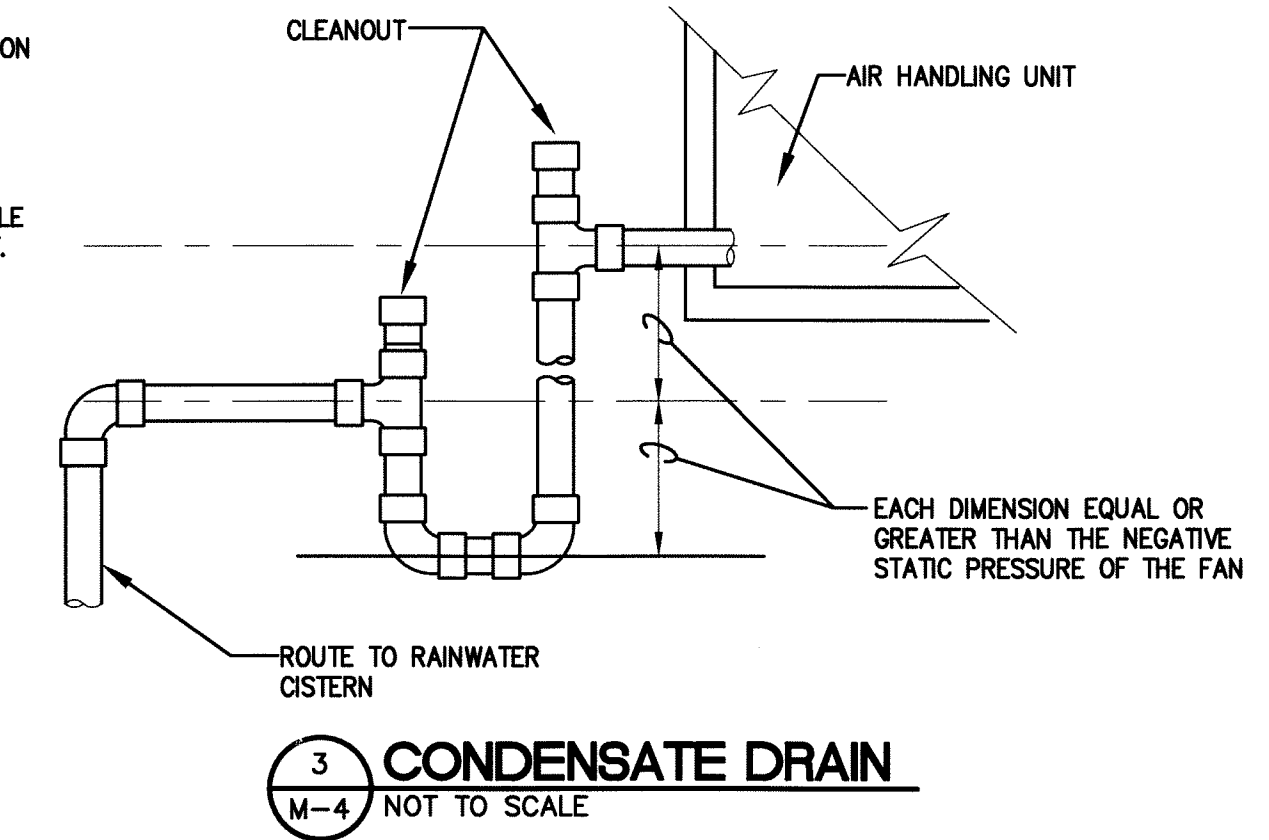


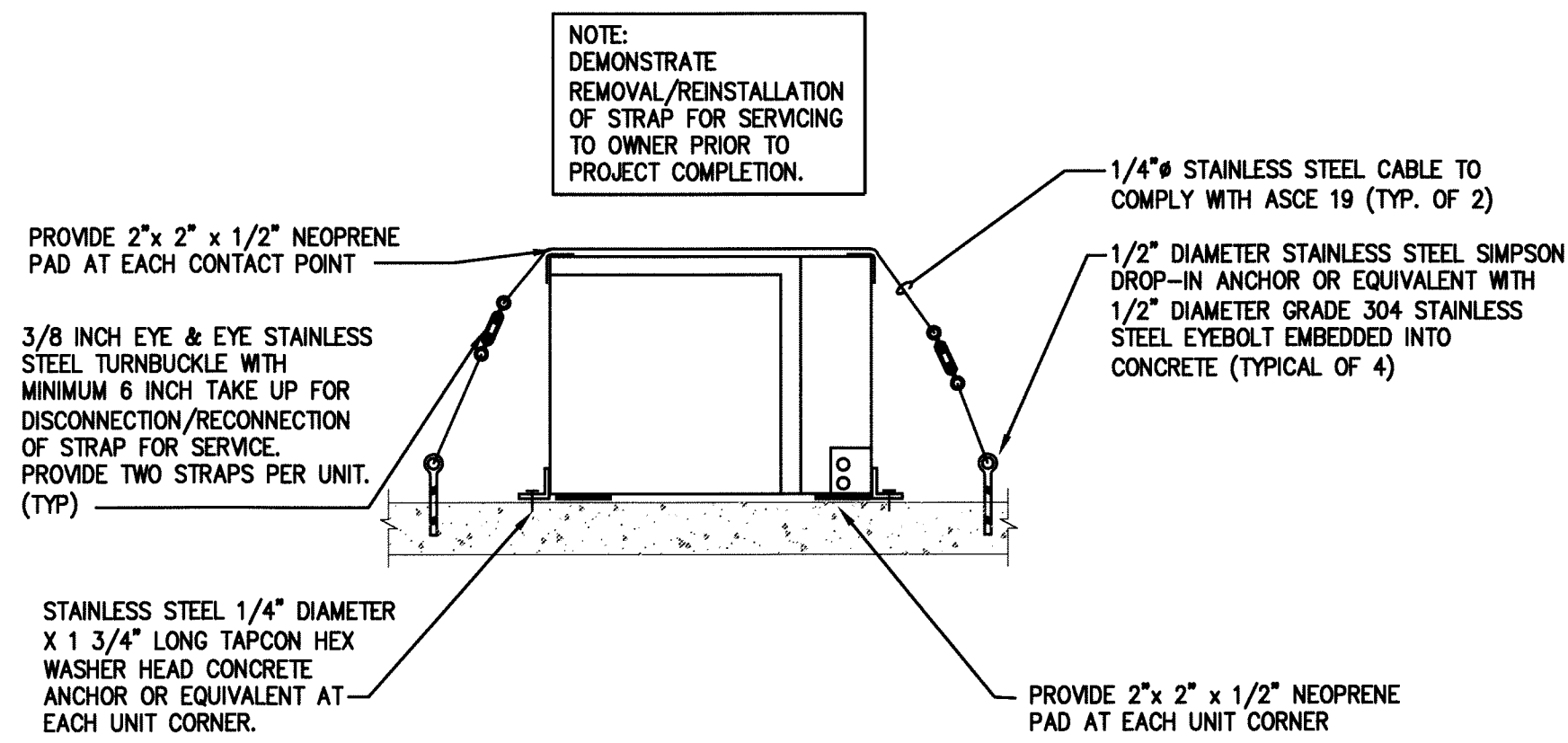
**8 IN-LINE CENTRIFUGAL FAN**  
M-1 NOT TO SCALE



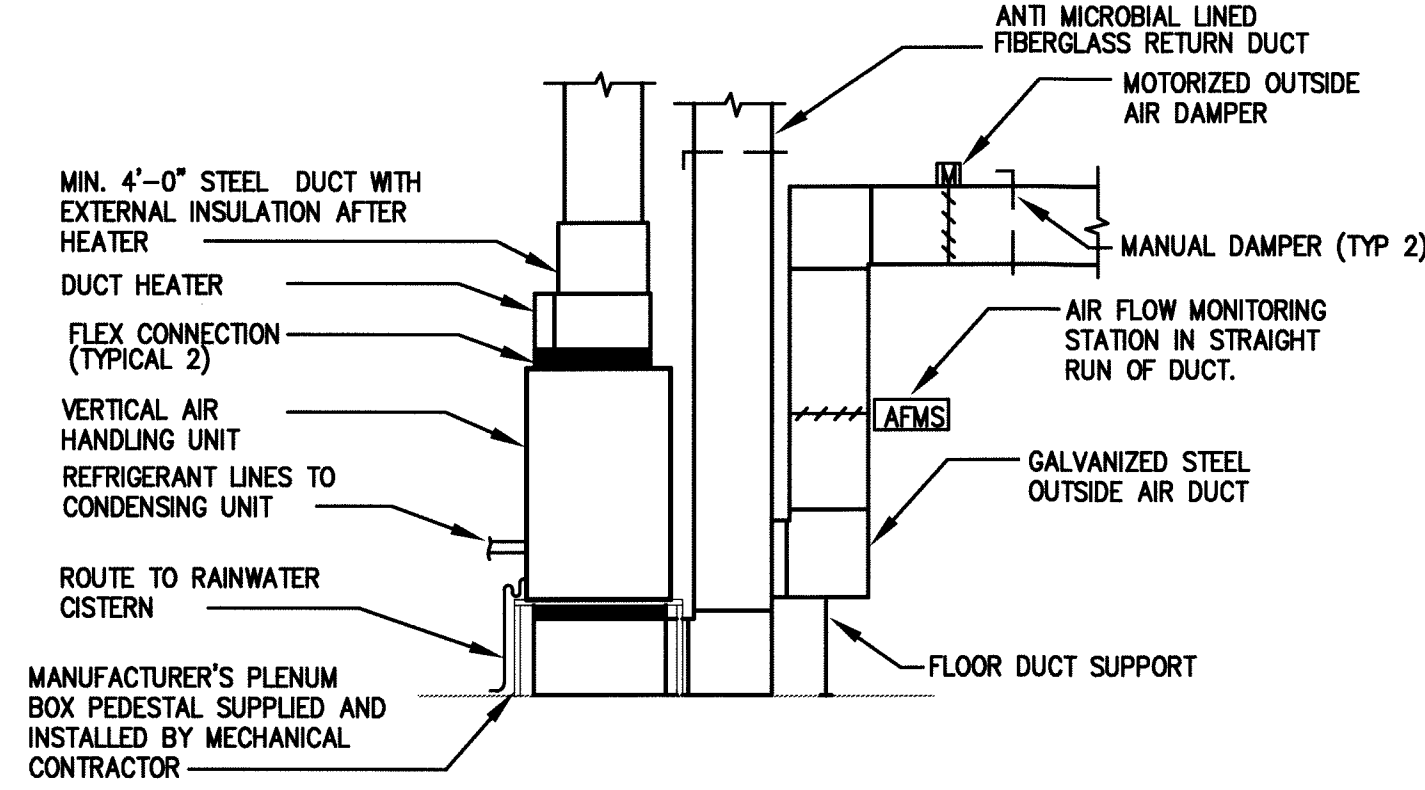
**5 UNDERGROUND REFRIGERANT LINES**  
M-4 NOT TO SCALE



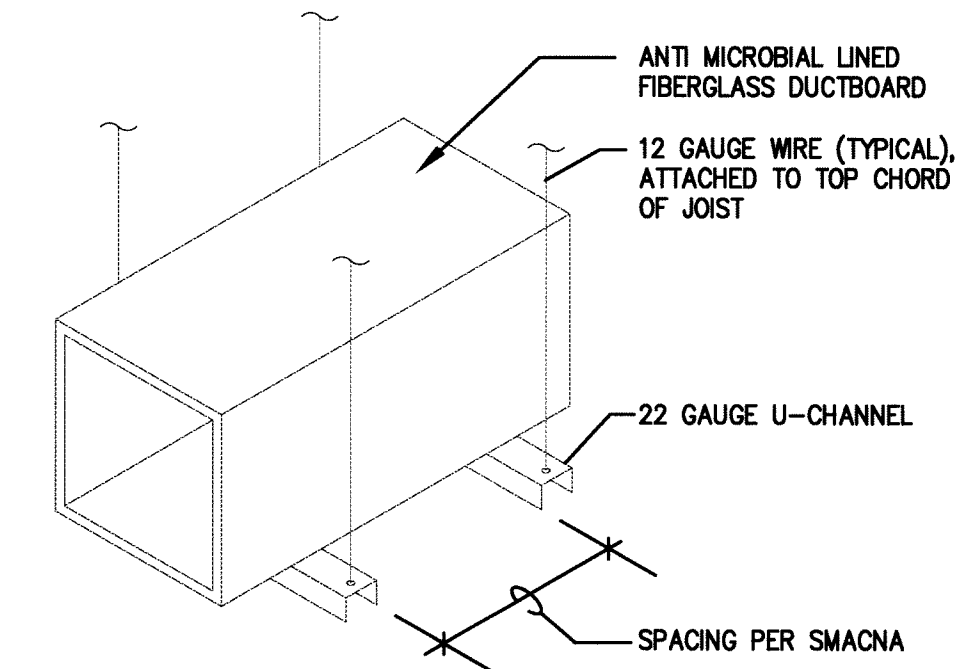
**3 CONDENSATE DRAIN**  
M-4 NOT TO SCALE



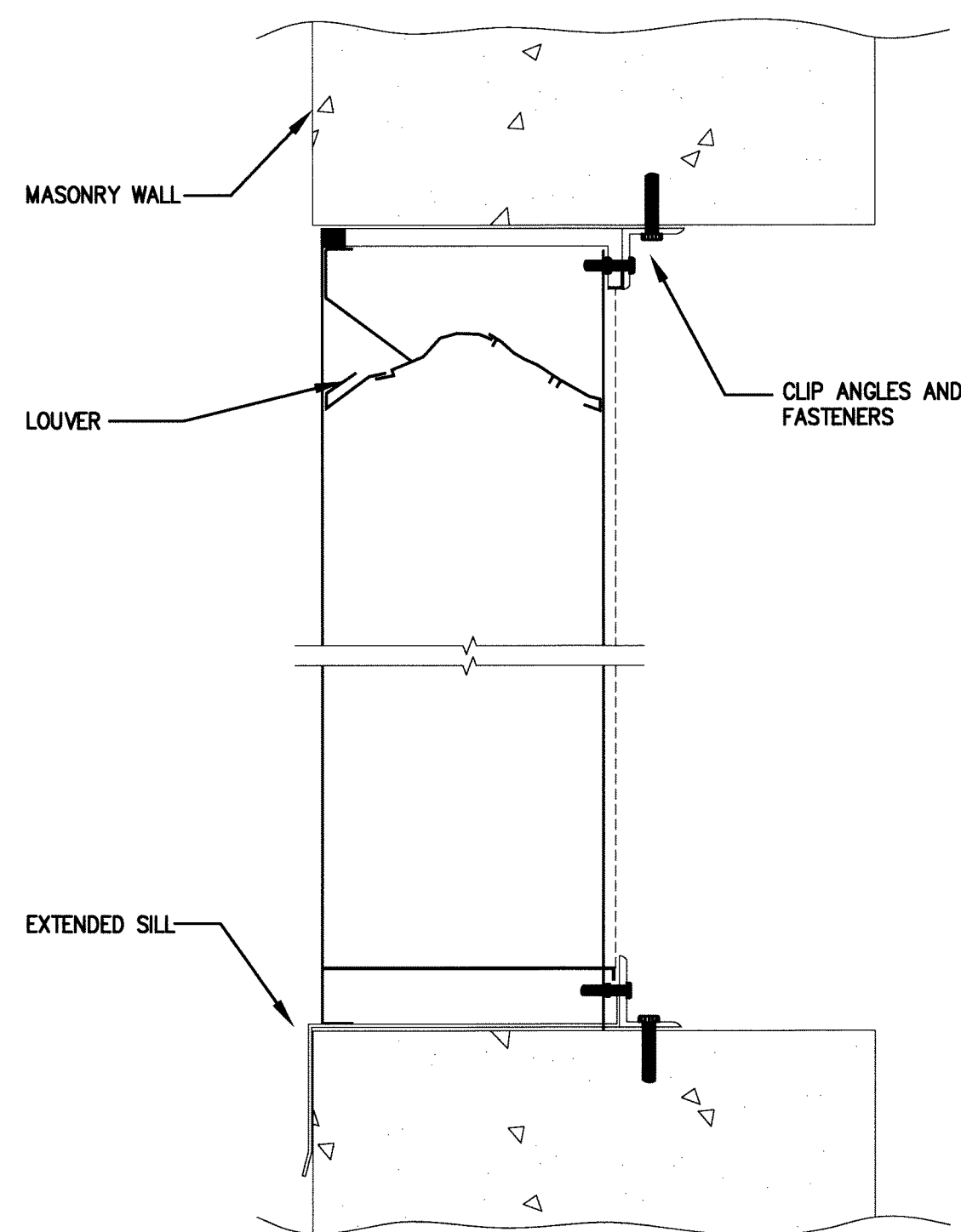
**7 CONDENSING UNIT ANCHOR**  
M-4 NOT TO SCALE



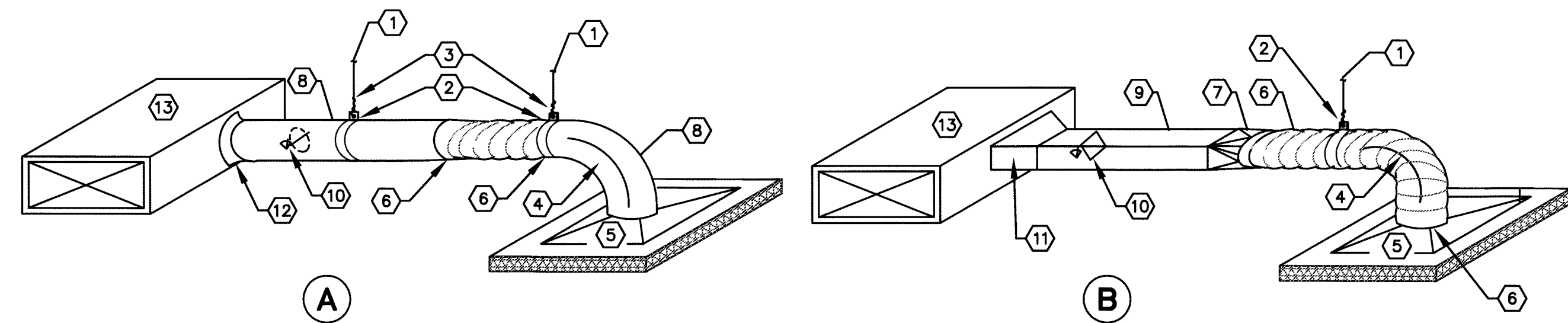
**4 VERTICAL DX AIR HANDLING UNIT**  
M-4 NOT TO SCALE



**2 DUCT SUPPORT**  
M-4 NOT TO SCALE



**6 STATIONARY LOUVER**  
M-4 NOT TO SCALE

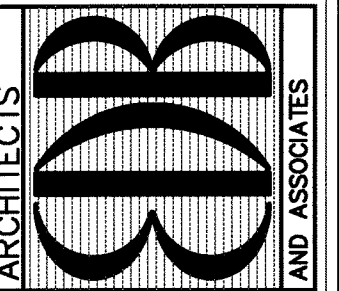


**NOTES:**

- ① HANG FROM STRUCTURE ABOVE. TOP CHORD OF JOIST.
- ② PROVIDE FULL PERIMETER SUPPORT ON OUTSIDE OF INSULATION OF ALL ROUND DUCTWORK. MINIMUM WIDTH OF STRAP SHALL BE 2 INCHES.
- ③ SUPPORT RIGID DUCTWORK ON EACH SIDE OF FLEXIBLE CONNECTION.
- ④ MINIMUM 1.5 TIMES THE DIAMETER FOR ALL ELBOWS.
- ⑤ 2 INCH BATTY INSULATION OVERLAPPING EDGES OF CEILING DIFFUSERS BY 2 INCHES.
- ⑥ DRAW-TIGHT OR SCREW TIGHT BANDS OF NON-CORROSIVE MATERIALS TO ATTACH INNER LINER OF FLEXIBLE DUCT TO RIGID DUCTWORK.
- ⑦ RECTANGULAR TO ROUND TRANSITION.
- ⑧ INSULATED RIGID ROUND DUCTWORK.
- ⑨ INSULATED RECTANGULAR DUCTWORK.
- ⑩ VOLUME DAMPER WITH STAND-OFF FOR INSULATION AND LOCKING QUADRANT PLATE.
- ⑪ RECTANGULAR TAP WITH 45 DEGREE TRANSITION.
- ⑫ PROVIDE BELLMOUTH ROUND TAP IF FLEX DUCT IS EQUAL TO OR GREATER THAN RECTANGULAR DUCT DEPTH USE METHOD "B".
- ⑬ ANTI MICROBIAL LINED FIBERGLASS DUCTBOARD.

**1 SINGLE DIFFUSER TAPS**  
M-4 NOT TO SCALE

EDLUND-DRITENBAS-BINKLEY  
ARCHITECTS AND ASSOCIATES, P.A.  
ARCHITECTS  
65 ROYAL PALM POINTE, SUITE "D"  
VERO BEACH, FLORIDA 32960  
PHONE: (772) 569-4320



SEAL:

PROJECT: **SLC INTERMODAL TRANSIT FACILITY**  
FOR: ST. LUCIE COUNTY  
2010 W. PALM BLVD.  
FORT PIERCE, FL 34986

NO.	DATE	REVISIONS

© APRIL 2010  
ALL RIGHTS RESERVED. NO PART OF THIS DOCUMENT MAY BE REPRODUCED OR TRANSMITTED IN ANY FORM OR BY ANY MEANS, ELECTRONIC OR MECHANICAL, WITHOUT PERMISSION IN WRITING FROM SIMS WILKERSON CARTIER ENGINEERING, INC.

COMM. NO: 210408VB  
DATE: 07 APRIL 2010  
BY: SUC  
CH'KD: SUC

SHEET NO.  
M-4



Sims Wilkerson Cartier  
Engineering, Inc.  
12124 High Tech Avenue - Suite. 200  
Orlando, Florida 32817  
(407) 380-0400 FAX (407) 380-5900  
FL CERT. OF AUTH. NO. 6106  
09033  
GARY A. WILKERSON, P.E. 43167  
KYLE J. CARTIER, P.E. 53269  
HOWARD J. PAGE, P.E. 48198  
JEFF A. KIRKMAN, P.E. 65629