

# TOWN OF PALM BEACH MID-TOWN RESTROOMS

**MAYOR**

**Gail L. Coniglio**

**TOWN COUNCIL**

**PRESIDENT: David A. Rosow**

**PRESIDENT PRO TEM: Robert N. Wildrick**

**COUNCIL MEMBER: William J. Diamond**

**COUNCIL MEMBER: Richard M. Kleid**

**COUNCIL MEMBER: Michael J. Pucillo**

**DIRECTOR OF PUBLIC WORKS: H. Paul Brazil**

**TOWN ENGINEER: James M. Bowser, P.E.**

## TOWN OF PALM BEACH, FLORIDA

**PROJECT TEAM:**

**ARCHITECT**

**BRIDGES, MARSH & ASSOCIATES, INC.**  
18 VIA MIZNER  
PALM BEACH, FL. 33480  
PHONE: (561) 832-1533  
FAX: (561) 832-1520

**CIVIL**

**KIMLEY-HORN and Associates, Inc.**  
1920 Welton Way  
Suite 200  
West Palm Beach, FL 33411  
PHONE: (561) 840-0862  
FAX: (561) 863-8175

**M.E.P**

**Toole & Associates**  
Consulting Engineers  
3894 Evans Road  
Delray Beach, FL 33445  
PHONE: (561) 455-2438

**SURVEYOR**

**Wallace Surveying Corp.**  
5553 Village Blvd.  
West Palm Beach, FL 33407  
PHONE: (561) 640-4351

**SHEET INDEX**

**ARCHITECTURAL**

INDEX	COVER SHEET AND INDEX
A1.1	SURVEY
A1.2	SITE PLAN
D-1	SITE DETAILS
A2.1	DEMOLITION PLAN
A4.1	ARCHITECTURAL FLOOR PLANS
A4.1	EXTERIOR ELEVATIONS
A5.1	RAMP/BUILDING SECTIONS
A6.1	DETAIL AND WALL SECTIONS
A8.1	INTERIOR ELEVATIONS-RESTROOMS
A9.1	FINISH AND DOOR SCHEDULE

**CIVIL**

C-1	SITE DEMOLITION PLAN
C-2	RAMP LAYOUT
C-3	CIVIL DETAILS

**MECHANICAL**

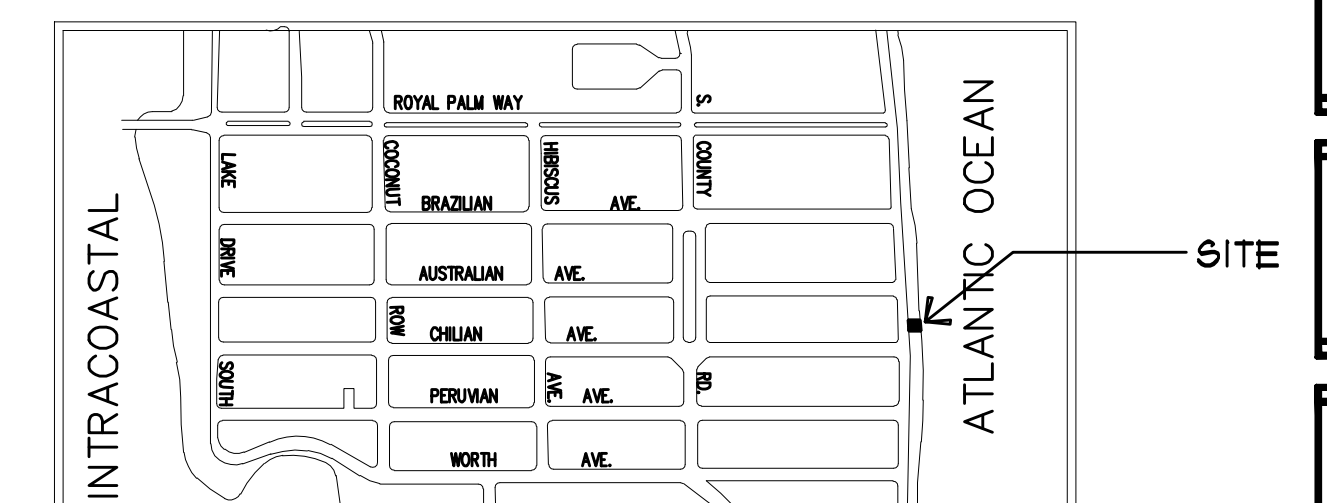
M-1	MECHANICAL FLOOR PLAN AND SCHEDULES
-----	-------------------------------------

**ELECTRICAL**

E2.1	ELECTRICAL FLOOR PLAN
------	-----------------------

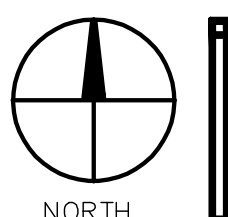
**PLUMBING**

P-1	PLUMBING FLOOR PLANS
P-2	RISER DIAGRAM AND FIXTURE SCHEDULE



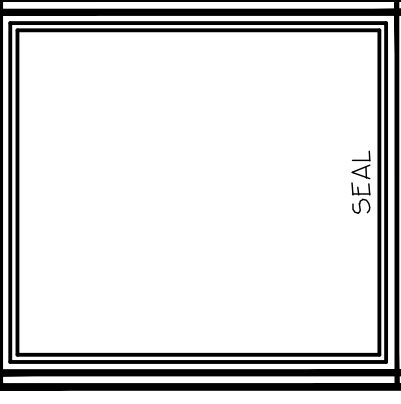
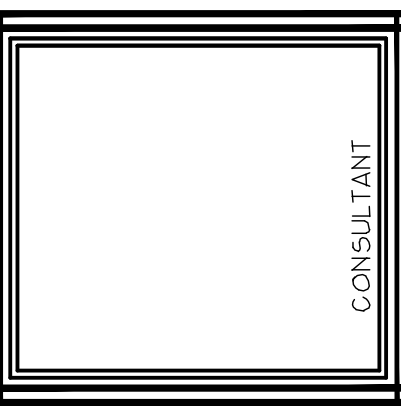
LOCATION MAP

N.T.S.



**BRIDGES MARSH & ASSOCIATES, INC.**  
CHARTERED ARCHITECTS

Eighteen Via Mizner  
Palm Beach, Florida 33480  
Phone: (561) 832 1533  
Fax: (561) 832 1520



**TOWN OF PALM BEACH MID-TOWN RESTROOMS**  
JOB  
**PALM BEACH FLORIDA**

**COVER SHEET**  
DRAWING

**21129**  
JOB NO.

NOTE:  
ALL DRAWINGS FOR THIS PROJECT ARE TO BE READ IN CONNECTION WITH EACH OTHER. THESE INCLUDE BUT ARE NOT LIMITED TO: ARCHITECTURAL, SURVEYING, STRUCTURAL, CIVIL, MECHANICAL, ELECTRICAL, SPECIALTY DRAWINGS, AND WRITTEN SPECIFICATIONS.  
CONTRACTOR TO VERIFY ALL EXISTING SITE CONDITIONS AND THOROUGHLY CHECK ELEVATIONS AND DIMENSIONS BEFORE COMMENCING WORK. REPORT TO THE ARCHITECT ENGINEER ANY DISCREPANCIES, ERRORS OR CONDITIONS THAT WILL AFFECT CONSTRUCTION AS INTENDED BY THESE DRAWINGS. ARCHITECT IS NOT RESPONSIBLE FOR ANY WORK INVOLED OR MATERIALS FURNISHED ON THE JOB.

1	6
2	7
3	8
4	9
5	10

**N.T.S.**  
SCALE

DATE: 3/26/12  
DRAWN BY: JIM ANASTASIOU  
CHECKED BY: MM  
DATE

**COVER**  
DWG. INC.



**ALTERATION PROJECT PROCEDURES**

**PREPARATION:**

- CUT, MOVE OR REMOVE ITEMS AS NECESSARY FOR ACCESS TO ALTERNATIONS AND RENOVATIONS WORK; REPLACE AND RESTORE AT COMPLETION
- REMOVE UNSUITABLE MATERIAL NOT MARKED FOR SALVAGE, SUCH AS ROTTED WOOD, RUSTED METALS DETERIORATED MASONRY AND CONCRETE; REPLACE MATERIALS AS SPECIFIED FOR FINISHED WORK. REMOVE DEBRIS AND ABANDONED ITEMS FROM AREA AND FROM CONCEALED SPACES
- PREPARE SURFACES AND REMOVE SURFACE FINISHES TO PROVIDE FOR PROPER INSTALLATION OF NEW WORK AND NEW FINISHES.
- CLOSE OPENINGS IN EXTERIOR SURFACES TO PROTECT EXISTING WORK FROM WEATHER AND EXTREMES OF TEMPERATURE, HUMIDITY.

**INSTALLATION**

- COORDINATE WORK OF ALTERATIONS AND RENOVATIONS TO EXPEDITE COMPLETION
- REMOVE, CUT, AND PATCH WORK IN A MANNER TO MINIMIZE DAMAGE AND TO PROVIDE MEANS OF RESTORING PRODUCTS AND FINISHES TO SPECIFIED CONDITION. REFINISH VISIBLE EXISTING SURFACES TO REMAIN IN RENOVATED ROOMS AND SPACES, TO SPECIFIED CONDITION FOR EACH MATERIAL, WITH A NEAT TRANSITION TO ADJACENT NEW FINISHES
- IN ADDITION TO SPECIFIED REPLACEMENT OF EQUIPMENT AND FIXTURES, RESTORE EXISTING PLUMBING, HEATING, ELECTRICAL, AIR CONDITIONING SYSTEMS TO FULL OPERATIONAL CONDITION.
- INSTALL PRODUCTS AS SPECIFIED IN INDIVIDUAL SECTIONS.

**TRANSITIONS:**

- WHERE NEW WORK ABUTS OR ALIGNS WITH EXISTING, MAKE A SMOOTH AND EVEN TRANSITION. PATCHED WORK SHALL MATCH EXISTING ADJACENT WORK IN TEXTURE AND APPEARANCE.
- WHEN FINISHED SURFACES ARE CUT SO THAT A SMOOTH TRANSITION WITH NEW WORK IS NOT POSSIBLE, TERMINATE EXISTING SURFACE ALONG A STRAIGHT LINE AT A NATURAL LINE OF DIVISION AND MAKE RECOMMENDATIONS TO ARCHITECT.

**ADJUSTMENTS**

- WHERE REMOVAL OF PARTITIONS RESULTS IN ADJACENT SPACES BECOMING ONE, REWORK FLOORS, WALLS, AND CEILINGS TO A SMOOTH PLANE WITHOUT BREAKS, STEPS, OR BULKHEADS. WHERE A CHANGE OF PLANE OF 1/4" (6 MM) OR MORE OCCURS, REQUEST INSTRUCTIONS FROM ARCHITECT. TRIM EXISTING DOOR AS NECESSARY TO CLEAR NEW FLOOR FINISHES; REFINISH TRIMMED AREAS.

**REPAIR OF DAMAGED SURFACES**

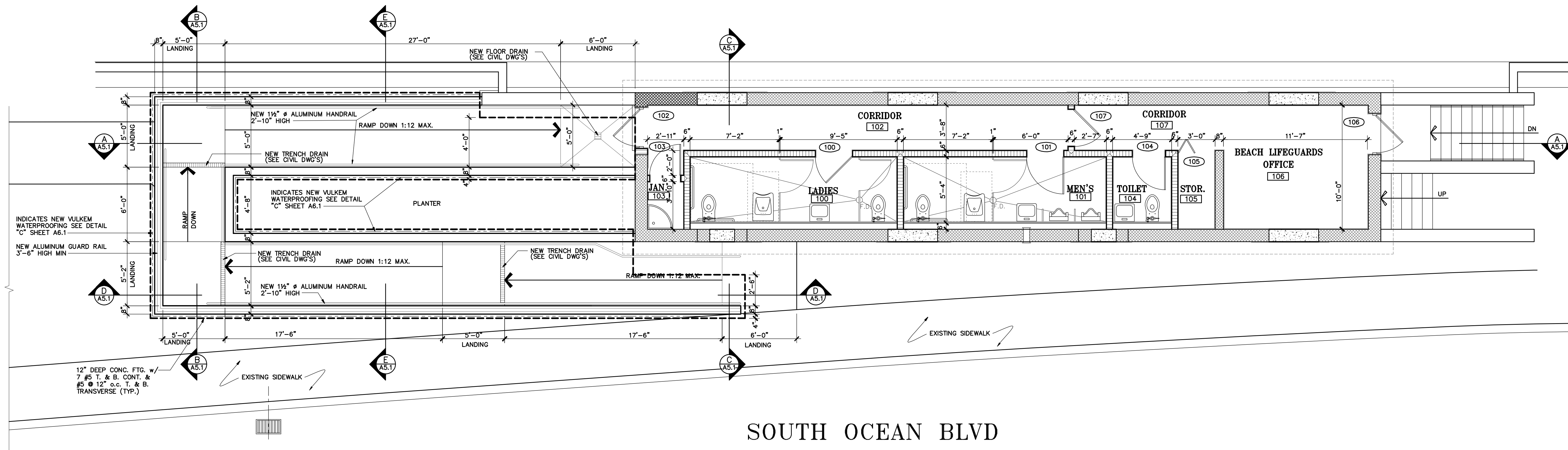
- PATCH OR REPLACE PORTIONS OF EXISTING SURFACES WHICH ARE DAMAGED, LIFTED, DISCOLORED, SHOWING OTHER IMPERFECTIONS. REPAIR SUBSTRATE PRIOR TO PATCHING FINISH.

**FINISHES**

- FINISH SURFACES AS SPECIFIED IN INDIVIDUAL SECTIONS. FINISH PATCHES TO PRODUCE UNIFORM FINISH AND TEXTURE OVER ENTIRE AREA. WHEN FINISH CANNOT BE MATCHED, REFINISH ENTIRE SURFACE TO NEAREST INTERSECTION.

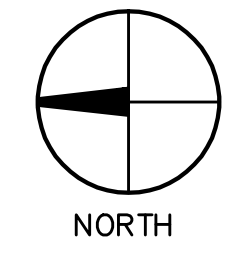
**CLEANING**

- IN ADDITION TO CLEANING SPECIFIED IN OTHER SECTIONS, CLEAN OWNER-OCCUPIED AREAS OF WORK DAILY.
- AT COMPLETION OF WORK IN EACH AREA, CLEAN AND RETURN SPACE TO A CONDITION SUITABLE FOR USE BY OWNER.



**FLOOR PLAN**

SOUTH OCEAN BLVD

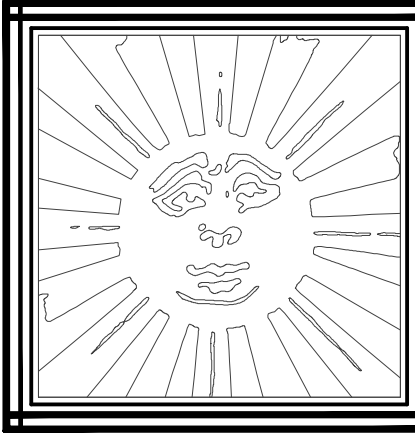


NOTE:  
COORDINATE ALL RAMP LANDING ELEVATIONS  
AND SLOPES WITH CIVIL ENGINEERS DWG'S

**SHEET LEGEND**

- = INDICATES EXISTING EXTERIOR WOOD FRAMING TO REMAIN
- = INDICATES NEW 6" CMU PARTITION
- = INDICATES NEW POURED CONCRETE REPAIR IN EXISTING EXTERIOR WALL

NOTE:  
CONTRACTOR TO PROVIDE ALL  
NECESSARY REPAIRS TO NEW  
AND EXIST. WALLS TO MATCH  
EXISTING FINISHES



**BRIDGES MARSH  
& ASSOCIATES, INC.**  
CHARTERED ARCHITECTS  
Eighteen Via Mizner  
Palm Beach, Florida 33480  
Phone: (561) 832 1533  
Fax: (561) 832 1520

CONSULTANT

SEAL

**TOWN OF  
PALM BEACH  
MID-TOWN  
RESTROOMS**  
JOB  
PALM BEACH  
FLORIDA

**FLOOR PLAN**  
DRAWING

**21129**  
JOB NO.

NOTE:  
ALL DRAWINGS FOR THIS PROJECT ARE  
TO BE READ IN CONNECTION WITH  
EACH OTHER. THESE INCLUDE BUT  
ARE NOT LIMITED TO: ARCHITECTURAL,  
SURVEYING, STRUCTURAL, CIVIL,  
MECHANICAL, ELECTRICAL, SPECIALTY  
DRAWINGS, AND WRITTEN SPEC-  
IFICATIONS.  
CONTRACTOR TO VERIFY ALL EXISTING  
SITE CONDITIONS AND THOROUGHLY  
CHECK ELEVATIONS AND DIMENSIONS  
BEFORE COMMENCING WORK.  
REPORT TO THE ARCHITECT ENGINEER  
ANY DISCREPANCIES, ERRORS OR  
CONDITIONS THAT WILL AFFECT  
CONSTRUCTION AS INTENDED BY  
THESE DRAWINGS. ARCHITECT IS  
NOT RESPONSIBLE FOR ANY WORK  
AND/OR MATERIALS FURNISHED  
ON THE JOB.

1	6
2	7
3	8
4	9
5	10

1/4" = 1'-0"  
SCALE

3/26/12 DATE  
T.M. PHIBSTON  
M.M.  
C.M.K. BROWN

**A2.1**  
DWG. NO.



**BRIDGES MARSH & ASSOCIATES, INC.**  
**CHARTERED ARCHITECTS**  
 Eighteen Via Mizner  
 Palm Beach, Florida 33480  
 Phone: (561) 832 1533  
 Fax: (561) 832 1520

CONSULTANT

SEAL

**TOWN OF PALM BEACH**  
**MID-TOWN RESTROOMS**  
 PALM BEACH FLORIDA

EXTERIOR ELEVATIONS  
 DRAWING

21129  
 JOB NO.

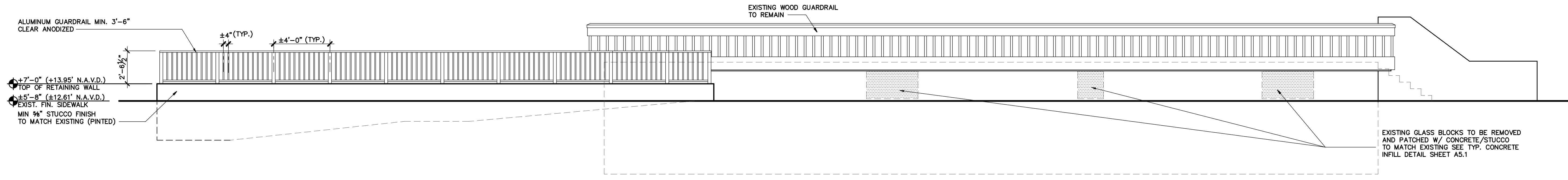
NOTE:  
 ALL DRAWINGS FOR THIS PROJECT ARE TO BE READ IN CONJUNCTION WITH EACH OTHER. THESE INCLUDE BUT ARE NOT LIMITED TO: ARCHITECTURAL, SURVEYING, STRUCTURAL, CIVIL, MECHANICAL, ELECTRICAL, SPECIALTY DRAWINGS, AND WRITTEN SPECIFICATIONS.  
 CONTRACTOR TO VERIFY ALL EXISTING SITE CONDITIONS AND THOROUGHLY CHECK ELEVATIONS AND DIMENSIONS BEFORE COMMENCING WORK. REPORT TO THE ARCHITECT ENGINEER ANY DISCREPANCIES, ERRORS OR CONDITIONS THAT WILL AFFECT CONSTRUCTION AS INTENDED BY THESE DRAWINGS. ARCHITECT IS NOT RESPONSIBLE FOR ANY WORK AND/OR MATERIALS FURNISHED ON THE JOB.

1	6
2	7
3	8
4	9
5	10

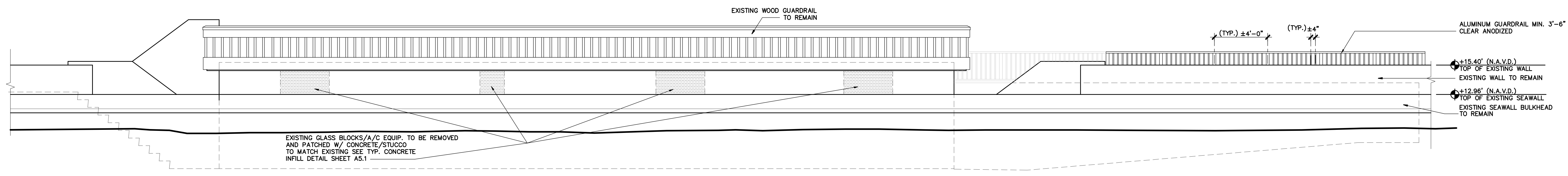
1/4" = 1'-0"  
 SCALE

3/26/12 DATE  
 T.M. PINESTON  
 CHK. ERWIN

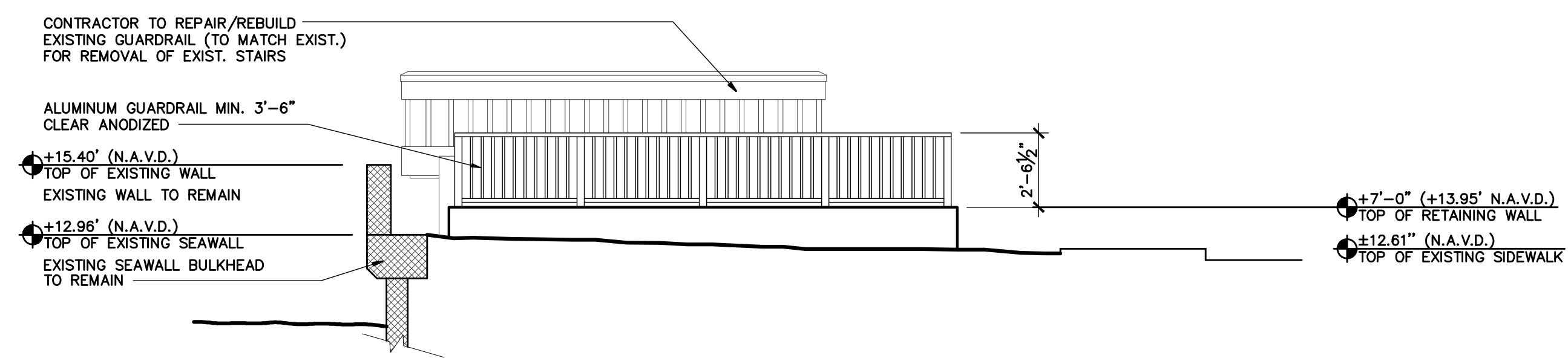
A4.1  
 DWG. INC.



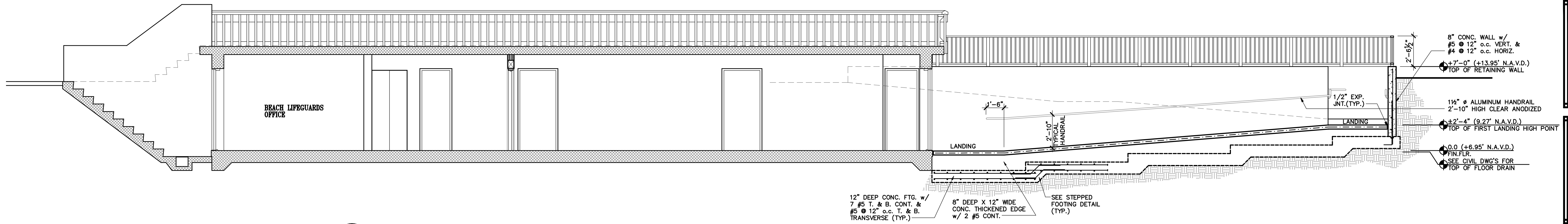
**WEST ELEVATION**



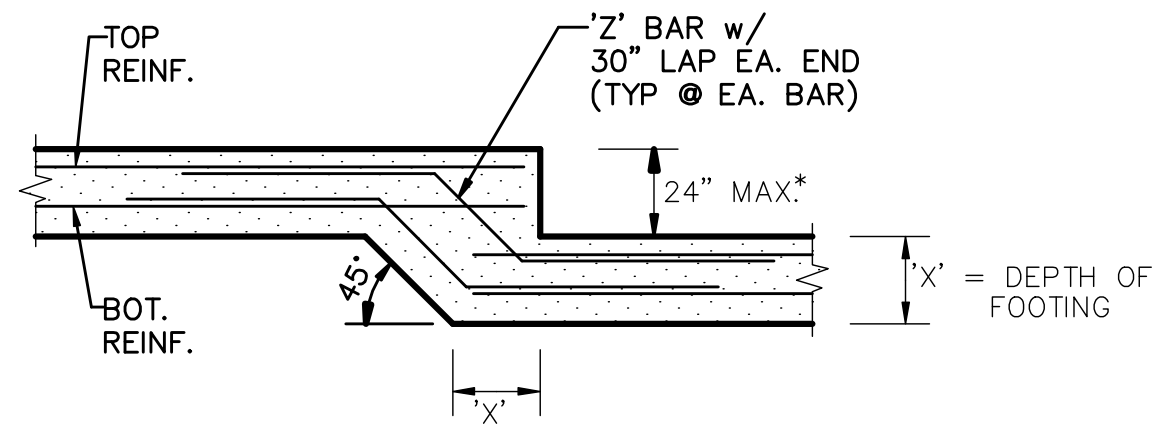
**EAST ELEVATION**



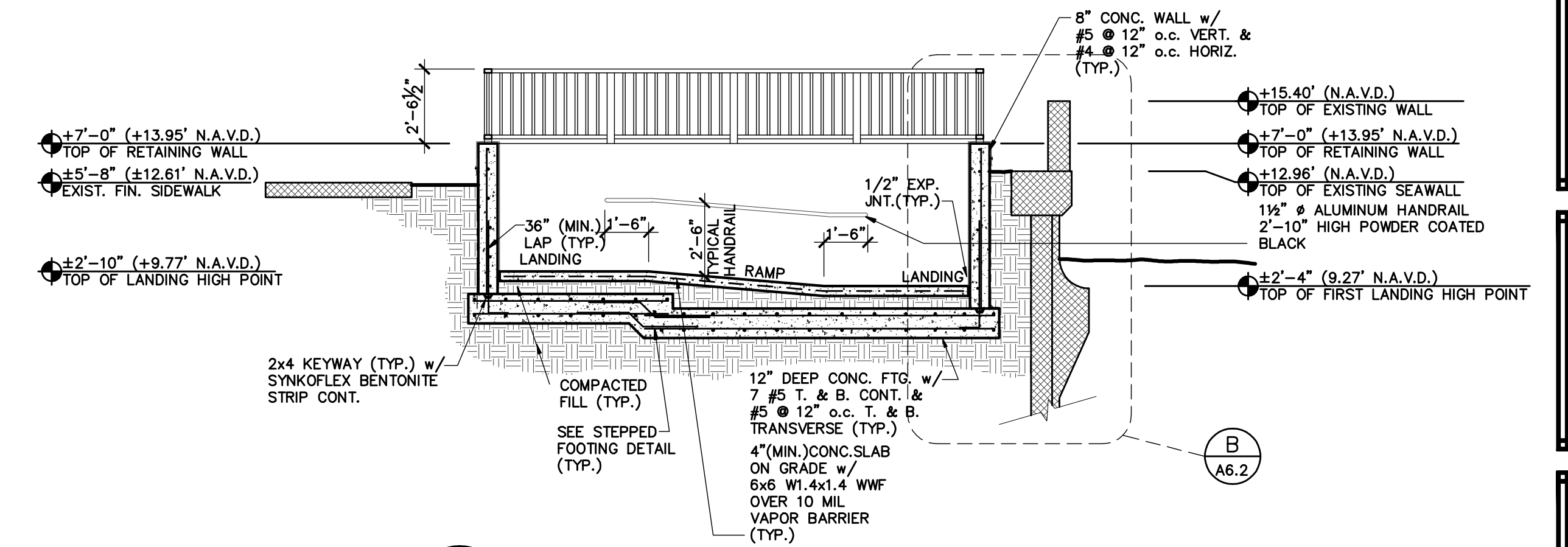
**NORTH ELEVATION**



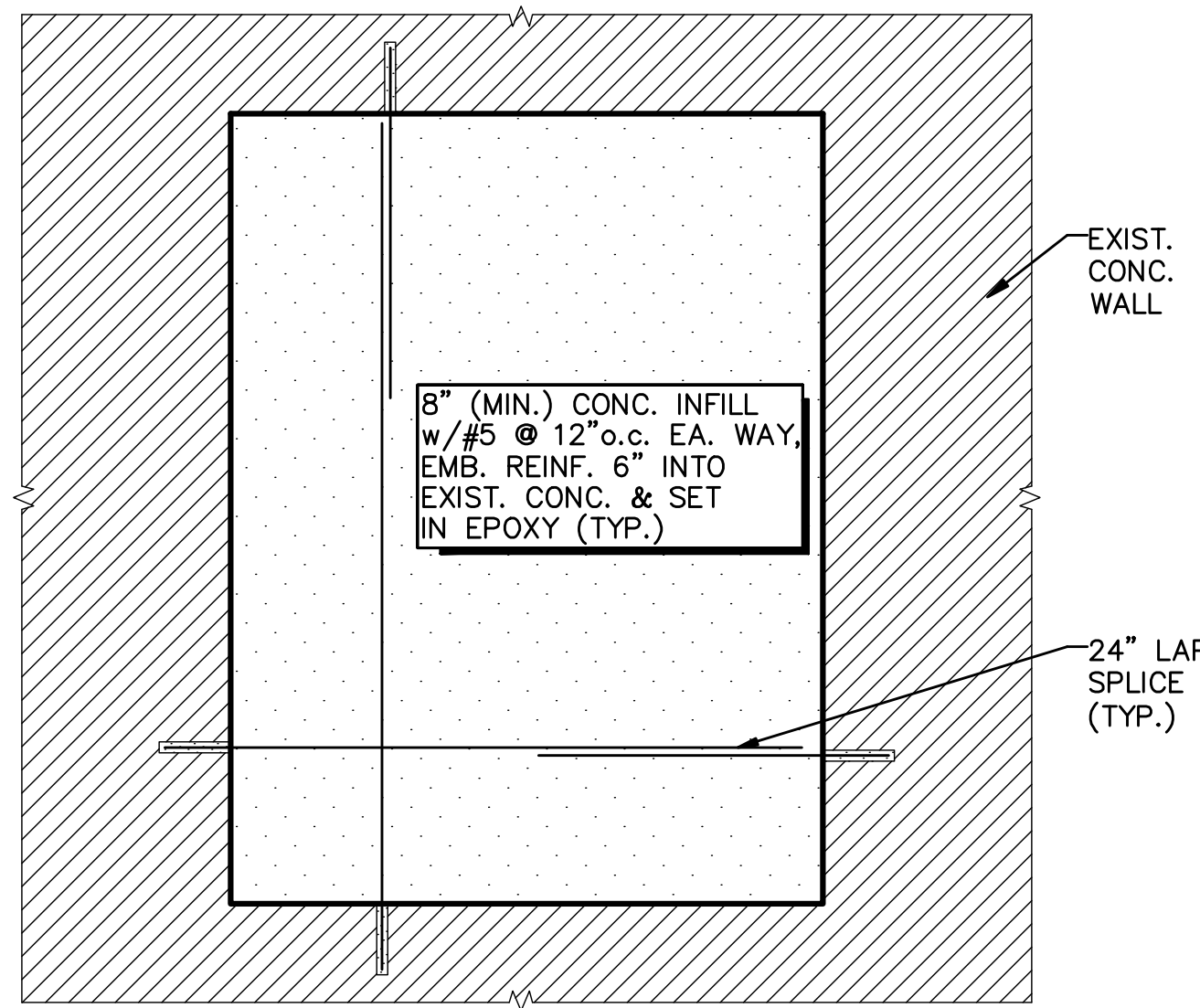
**A BUILDING/RAMP SECTION**  
A2.1



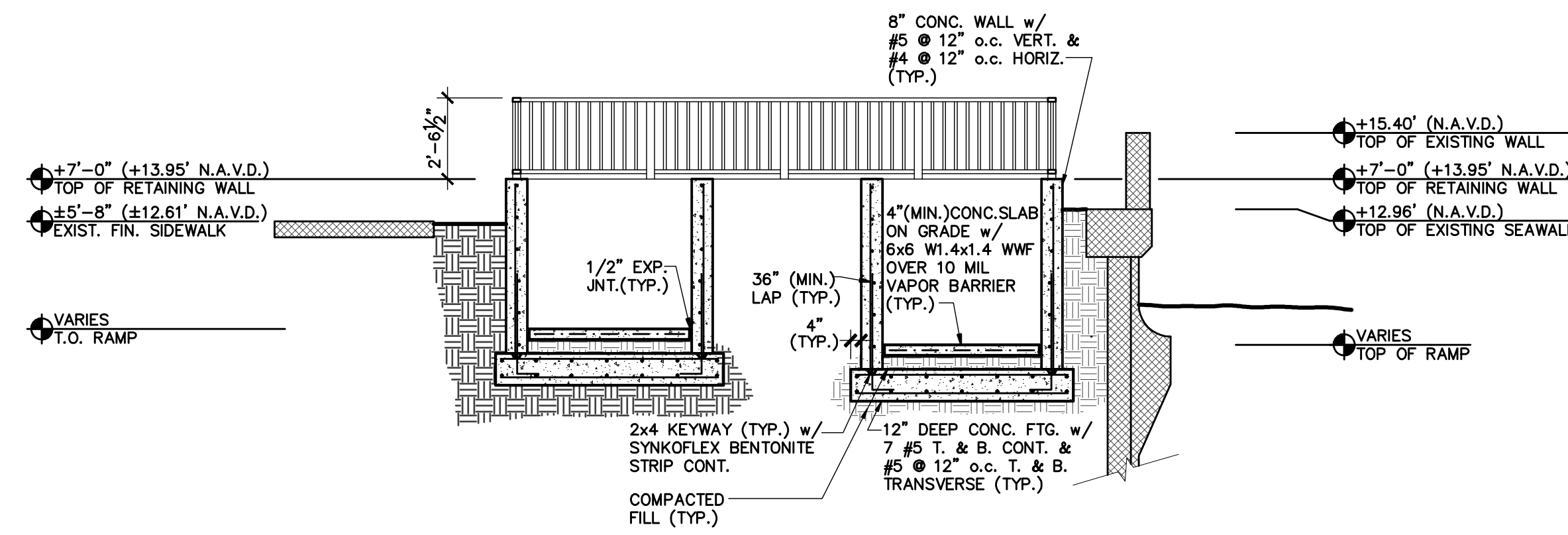
**STEPPED FOOTING DETAIL**  
\* FOOTING STEPS SHALL BE A MIN. OF 48\"/>



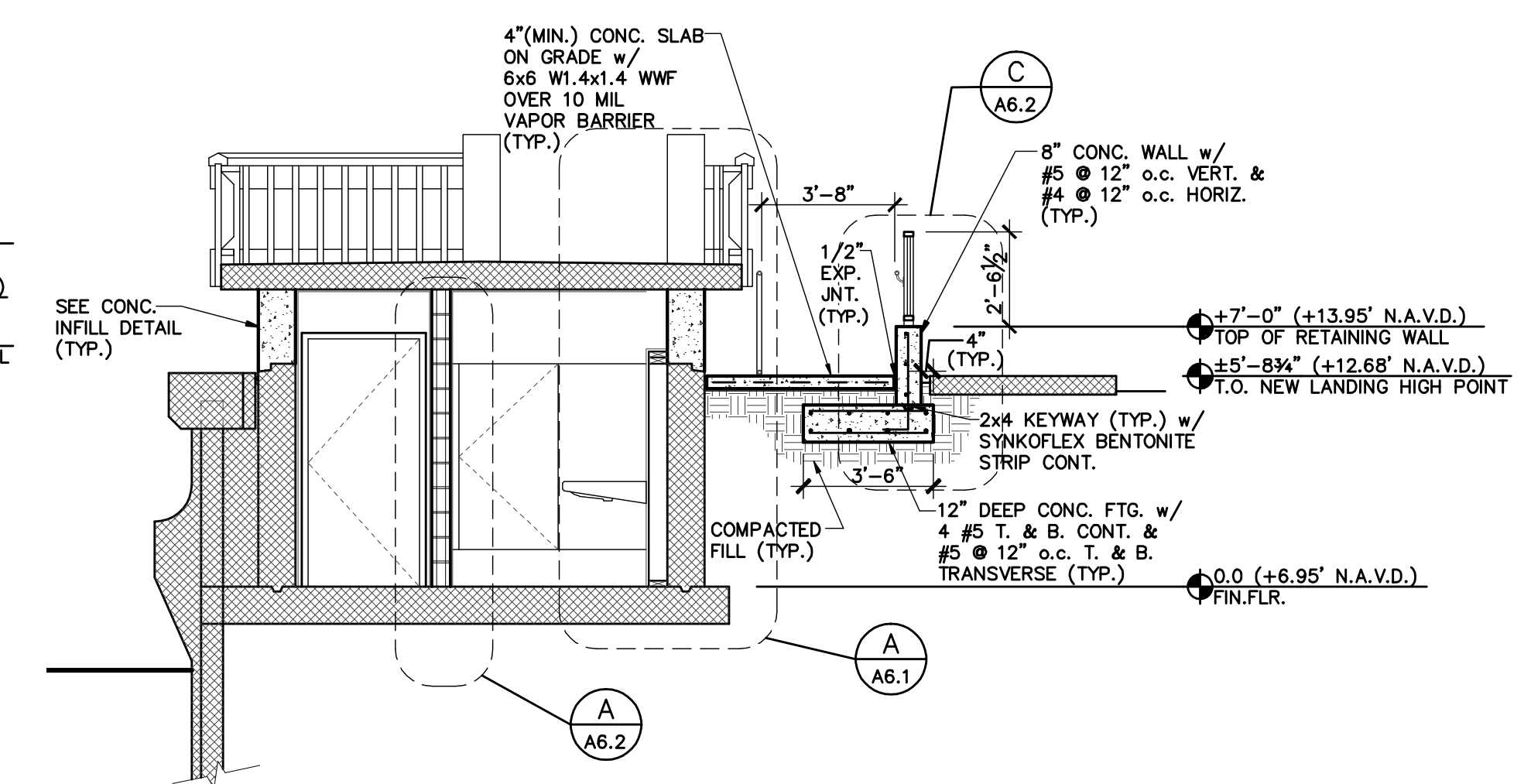
**B RAMP SECTION**  
A2.1



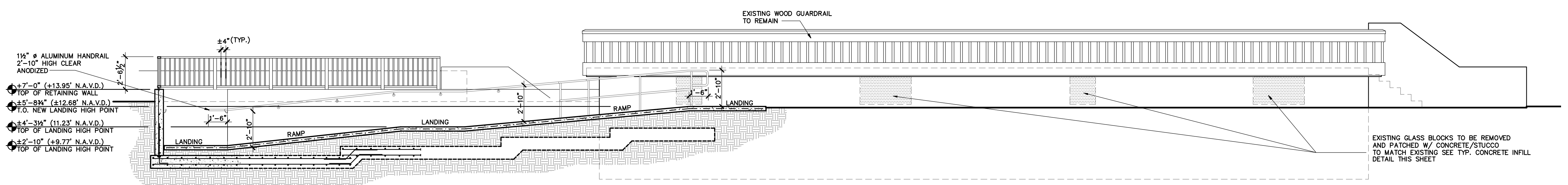
**TYP. CONC. INFILL DETAIL**  
N.T.S.



**E BUILDING/RAMP SECTION**  
A2.1



**C BUILDING/RAMP SECTION**  
A2.1



**D RAMP SECTION**  
A2.1



**BRIDGES MARSH & ASSOCIATES, INC.**  
CHARTERED ARCHITECTS  
Eighteen Via Mizner  
Palm Beach, Florida 33480  
Phone: (561) 832 1533  
Fax: (561) 832 1520

CONSULTANT

SEAL

**TOWN OF PALM BEACH**  
MID-TOWN RESTROOMS  
PALM BEACH FLORIDA

RAMP/  
BUILDING  
SECTIONS

21129

NOTE:  
ALL DRAWINGS FOR THIS PROJECT ARE TO BE READ IN CONJUNCTION WITH EACH OTHER. THESE INCLUDE BUT ARE NOT LIMITED TO: ARCHITECTURAL, SURVEYING, STRUCTURAL, CIVIL, MECHANICAL, ELECTRICAL, SPECIALTY DRAWINGS, AND WRITTEN SPECIFICATIONS.  
CONTRACTOR TO VERIFY ALL EXISTING SITE CONDITIONS AND THOROUGHLY CHECK ELEVATIONS AND DIMENSIONS BEFORE COMMENCING WORK. REPORT TO THE ARCHITECT ENGINEER ANY DISCREPANCIES, ERRORS OR CONDITIONS THAT WILL AFFECT CONSTRUCTION AS INTENDED BY THESE DRAWINGS. ARCHITECT IS NOT RESPONSIBLE FOR ANY WORK AND/OR MATERIALS FURNISHED ON THE JOB.

1	6
2	7
3	8
4	9
5	10

1/4" = 1'-0"  
SCALE

3/28/12 DATE  
MM  
DATE

A5.1  
DWG. INC.



**BRIDGES MARSH & ASSOCIATES, INC.**  
**CHARTERED ARCHITECTS**  
 Eighteen Via Mizner  
 Palm Beach, Florida 33480  
 Phone: (561) 832 1533  
 Fax: (561) 832 1520

CONSULTANT

SEAL

**TOWN OF PALM BEACH**  
**MID-TOWN RESTROOMS**  
 PALM BEACH FLORIDA

DETAILS AND WALL SECTIONS  
 DRAWING

21129  
 JOB NO.

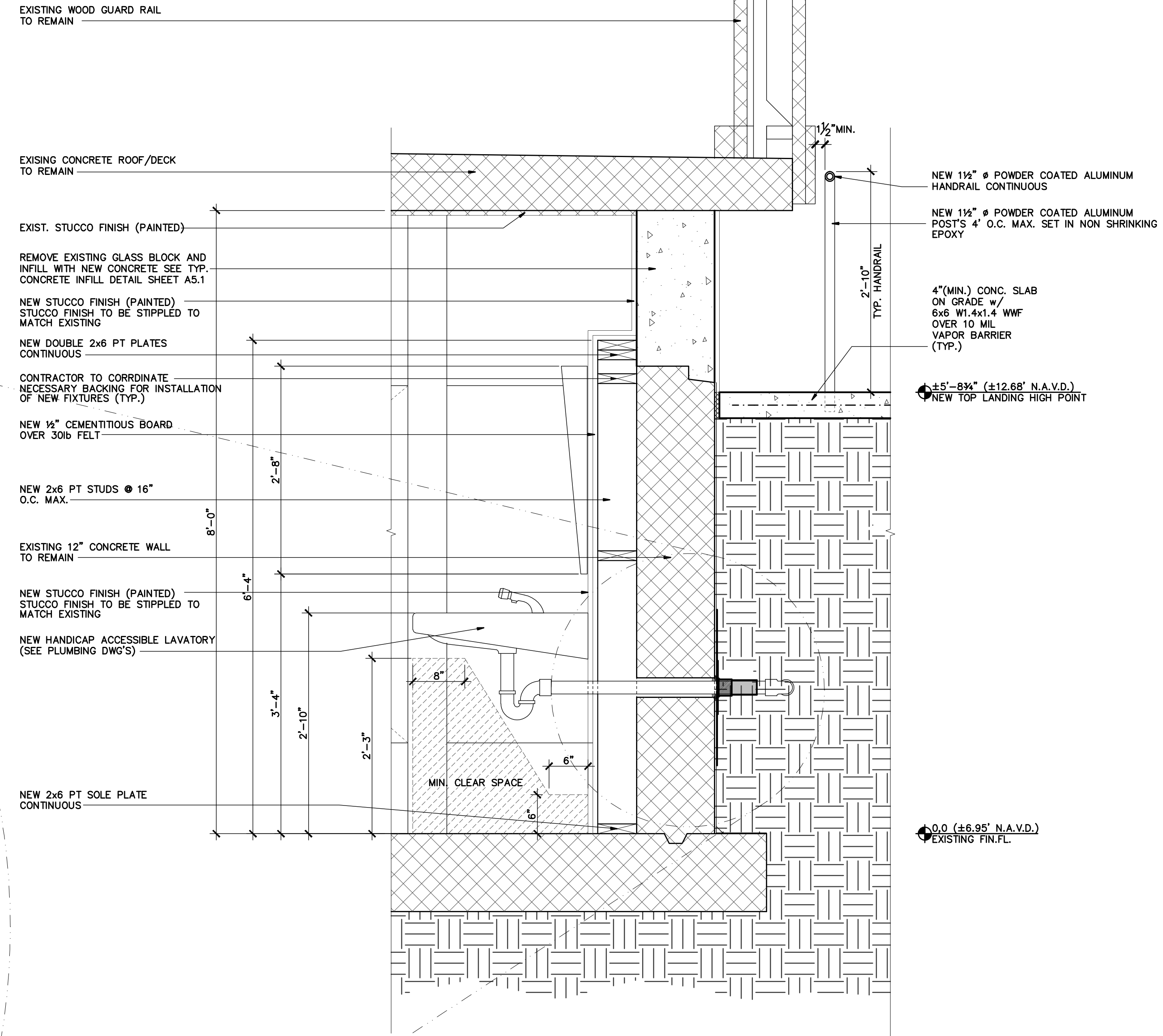
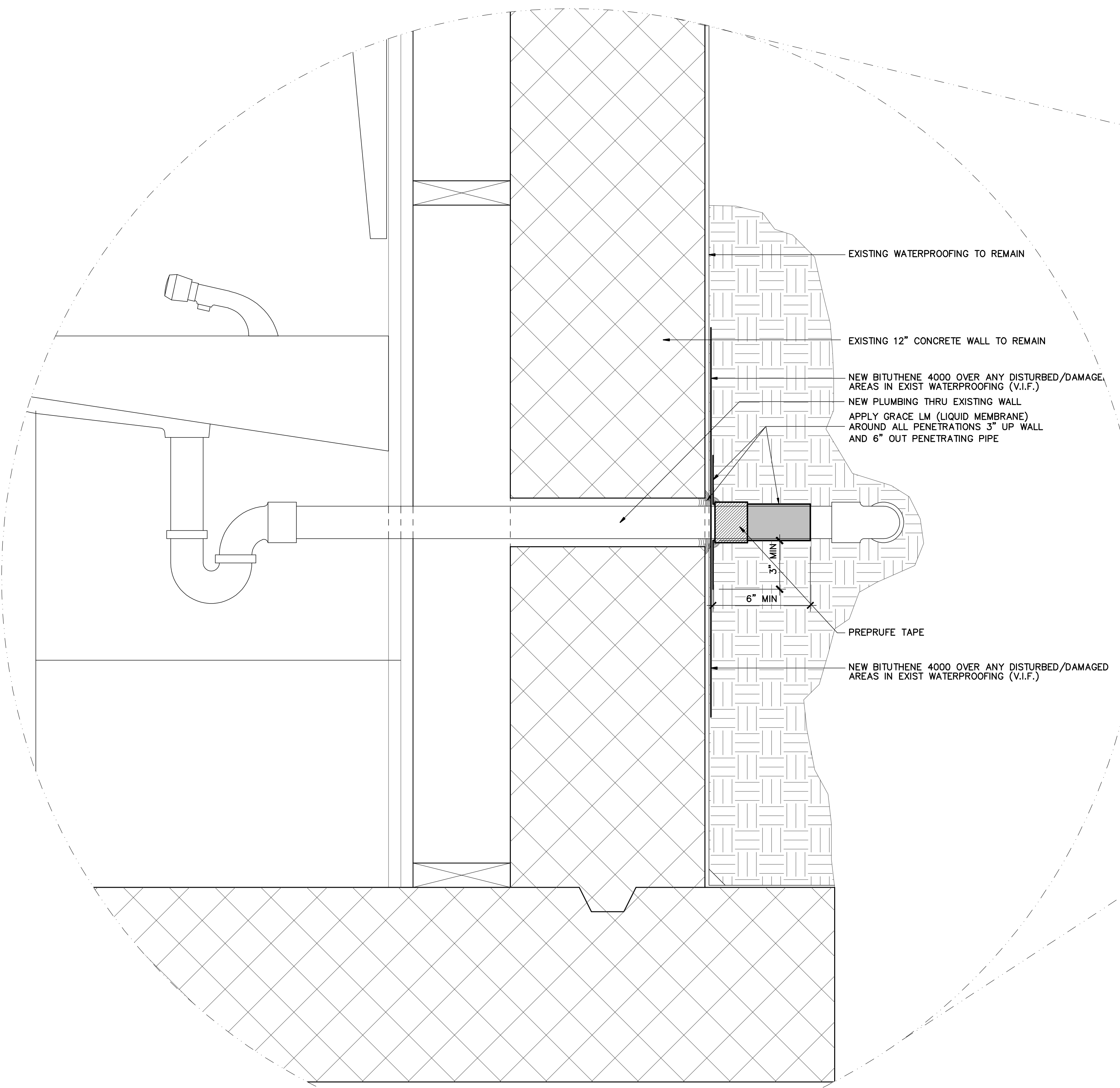
NOTE:  
 ALL DRAWINGS FOR THIS PROJECT ARE TO BE READ IN CONJUNCTION WITH EACH OTHER. THESE INCLUDE BUT ARE NOT LIMITED TO: ARCHITECTURAL, SURVEYING, STRUCTURAL, CIVIL, MECHANICAL, ELECTRICAL, SPECIALTY DRAWINGS, AND WRITTEN SPECIFICATIONS.  
 CONTRACTOR TO VERIFY ALL EXISTING SITE CONDITIONS AND THOROUGHLY CHECK ELEVATIONS AND DIMENSIONS BEFORE COMMENCING WORK. REPORT TO THE ARCHITECT/ENGINEER ANY DISCREPANCIES, ERRORS OR CONDITIONS THAT WILL AFFECT CONSTRUCTION AS INTENDED BY THESE DRAWINGS. ARCHITECT IS NOT RESPONSIBLE FOR ANY WORK AND/OR MATERIALS FURNISHED ON THE JOB.

1	6
2	7
3	8
4	9
5	10

AS NOTED  
 SCALE

3/26/12 DATE  
 T.M. HANSEN  
 C.M. BROWN  
 M.M.

A6.1  
 DWG. NO.

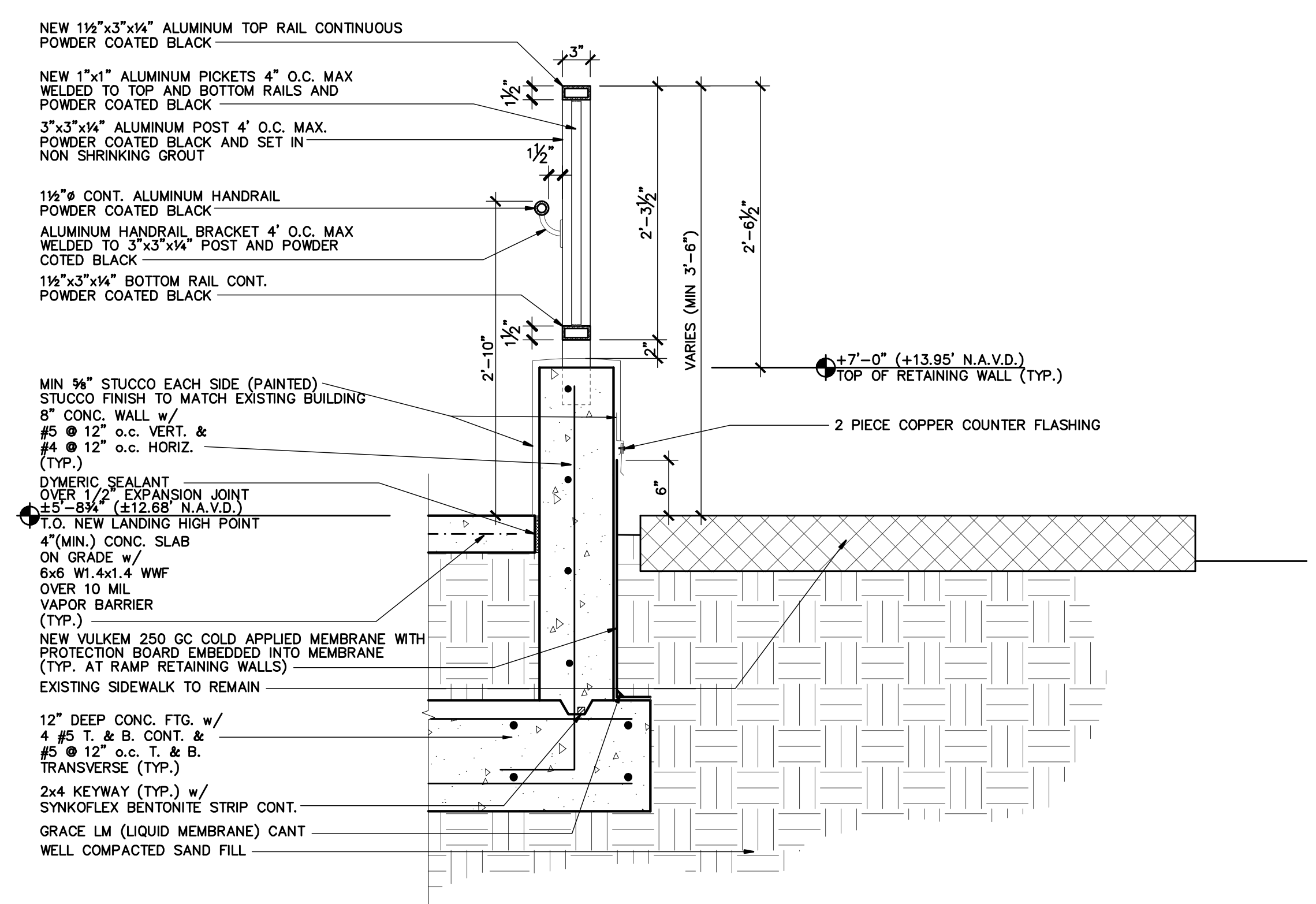


**A** TYPICAL WALL SECTION  
 A5.1

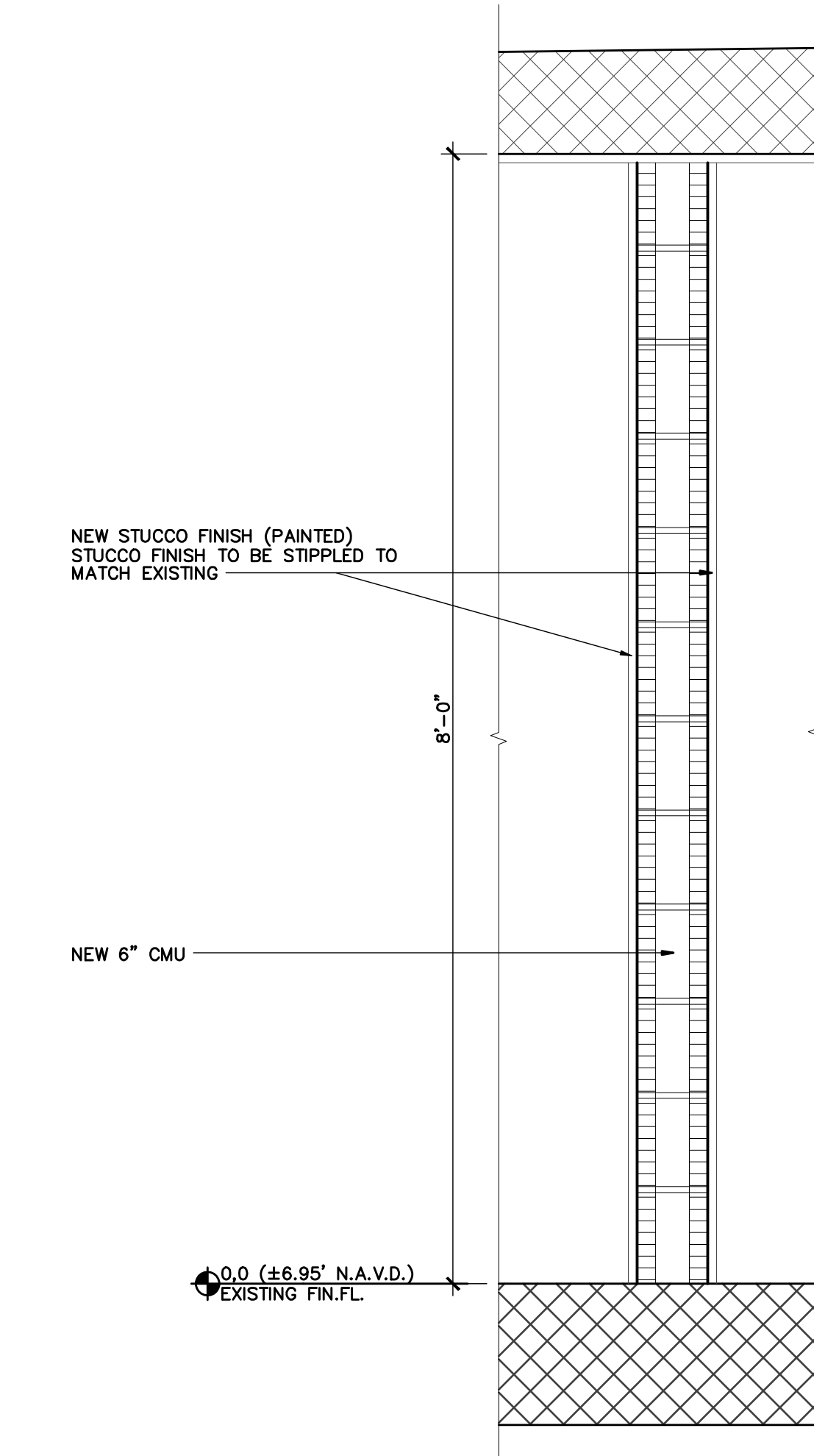
1"=1'-0"

**WATERPROOFING REPAIR DETAIL**

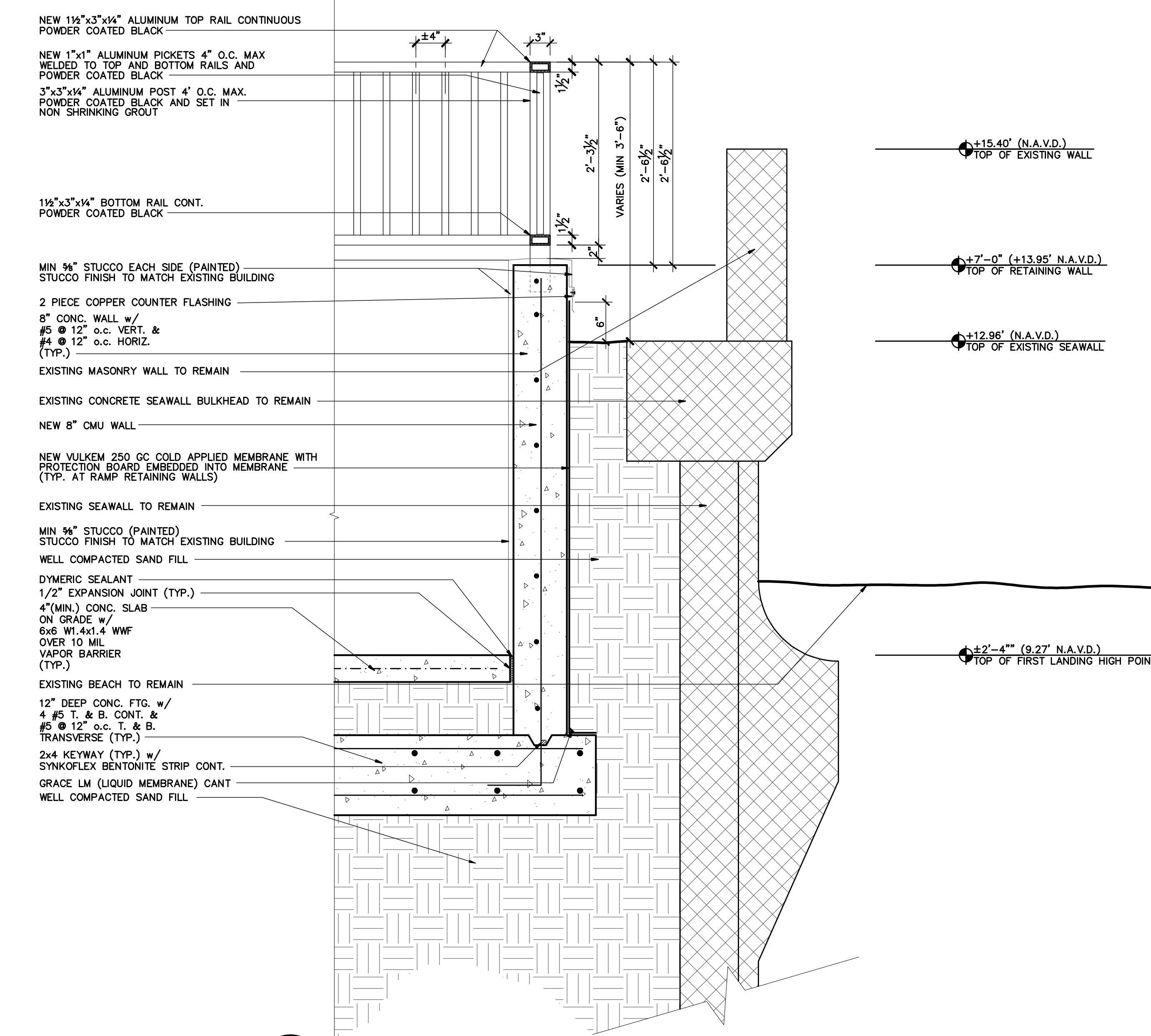
3"=1'-0"



**C** TYPICAL WALL SECTION  
A5.1 1"=1'-0"



**A** TYPICAL WALL SECTION  
A5.1 1"=1'-0"



**B** TYPICAL WALL SECTION  
A5.1 1"=1'-0"



**BRIDGES MARSH & ASSOCIATES, INC.**  
CHARTERED ARCHITECTS  
Eighteen Via Mizner  
Palm Beach, Florida 33480  
Phone: (561) 832 1533  
Fax: (561) 832 1520

CONSULTANT

SEAL

**TOWN OF PALM BEACH MID-TOWN RESTROOMS**  
JOB  
PALM BEACH FLORIDA

DETAILS AND WALL SECTIONS  
DRAWING

21129  
JOB NO.

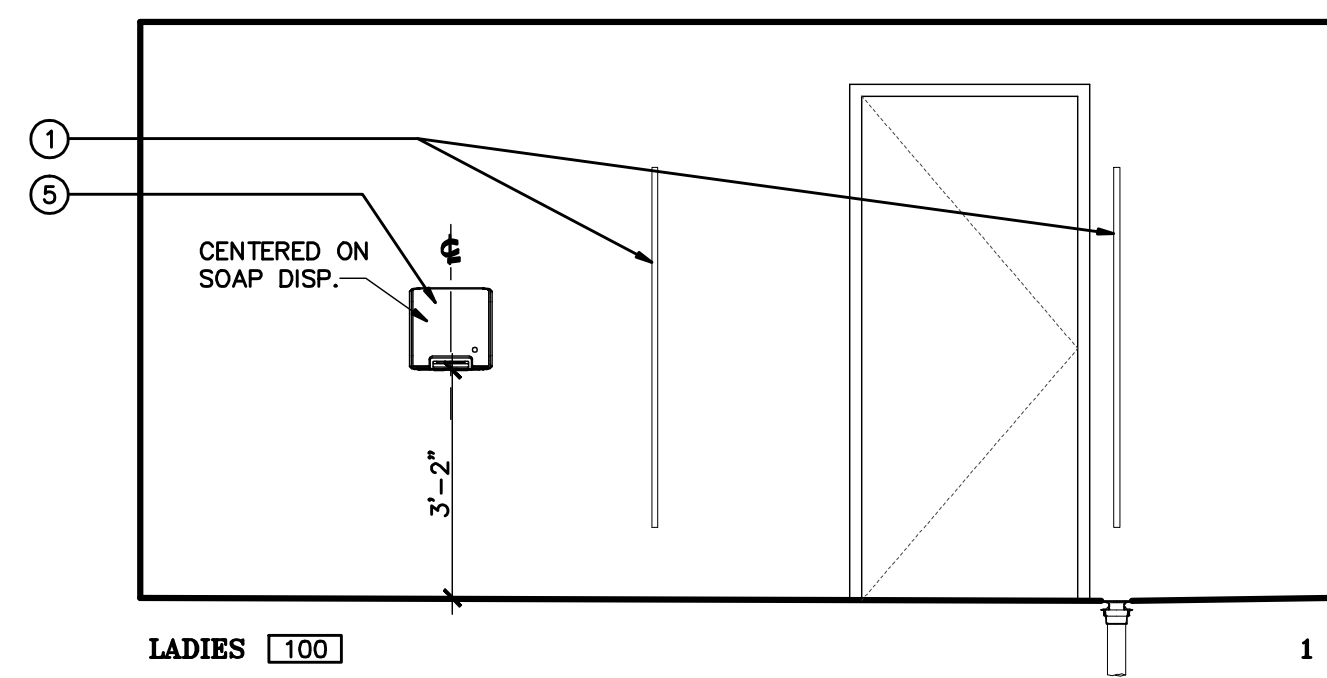
NOTE:  
ALL DRAWINGS FOR THIS PROJECT ARE TO BE READ IN CONJUNCTION WITH EACH OTHER. THESE INCLUDE BUT ARE NOT LIMITED TO: ARCHITECTURAL, SURVEYING, STRUCTURAL, CIVIL, MECHANICAL, ELECTRICAL, SPECIALTY DRAWINGS, AND WRITTEN SPECIFICATIONS.  
CONTRACTOR TO VERIFY ALL EXISTING SITE CONDITIONS AND THOROUGHLY CHECK ELEVATIONS AND DIMENSIONS BEFORE COMMENCING WORK. REPORT TO THE ARCHITECT ENGINEER ANY DISCREPANCIES, ERRORS OR CONDITIONS THAT WILL AFFECT CONSTRUCTION AS INTENDED BY THESE DRAWINGS. ARCHITECT IS NOT RESPONSIBLE FOR ANY WORK AND/OR MATERIALS FURNISHED ON THE JOB.

1	6
2	7
3	8
4	9
5	10

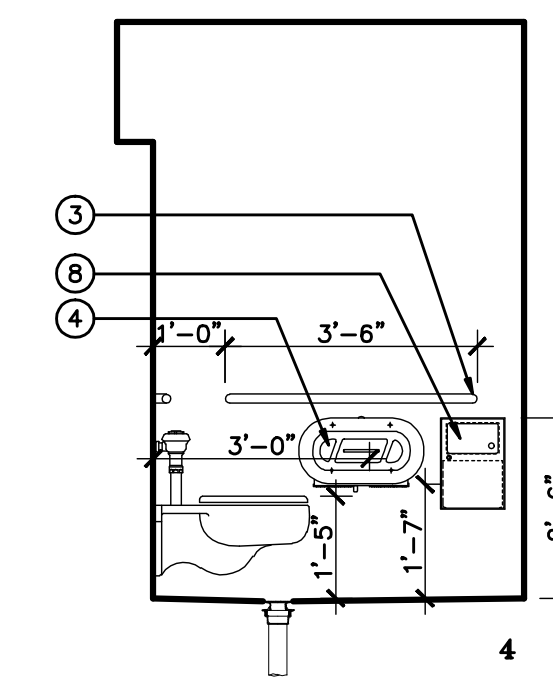
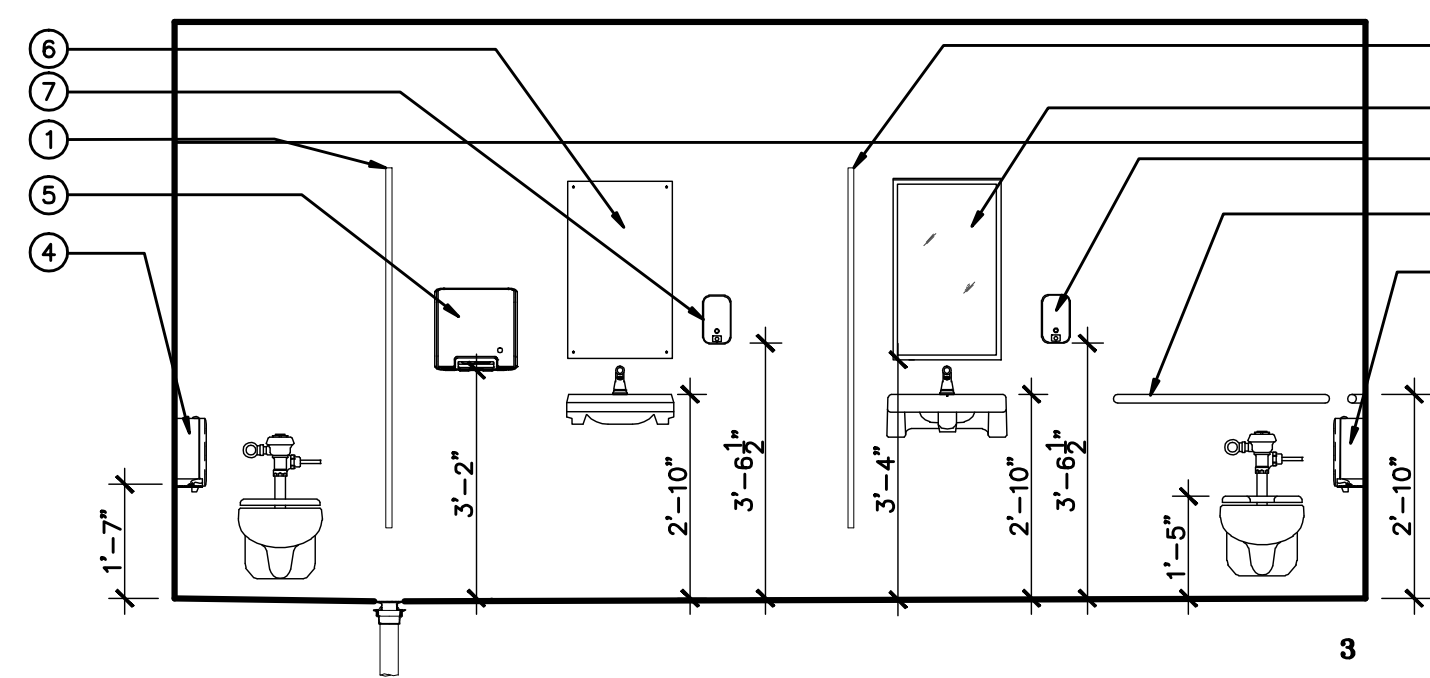
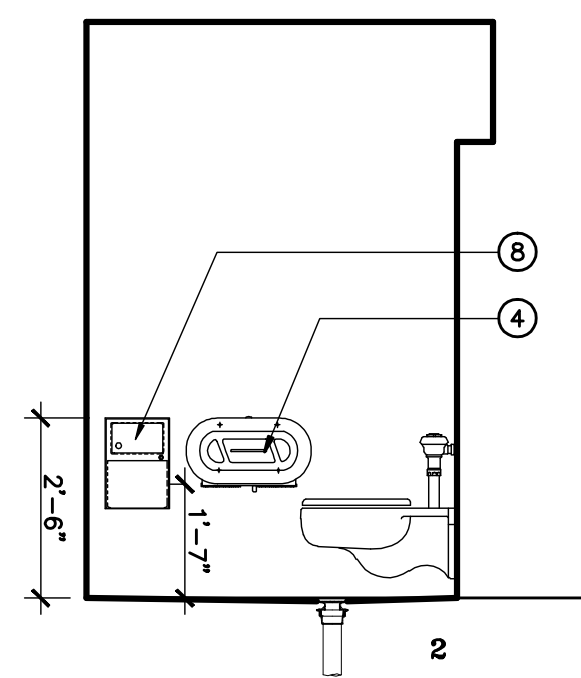
AS NOTED  
SCALE

3/26/12 DATE  
MM  
CHK/REV

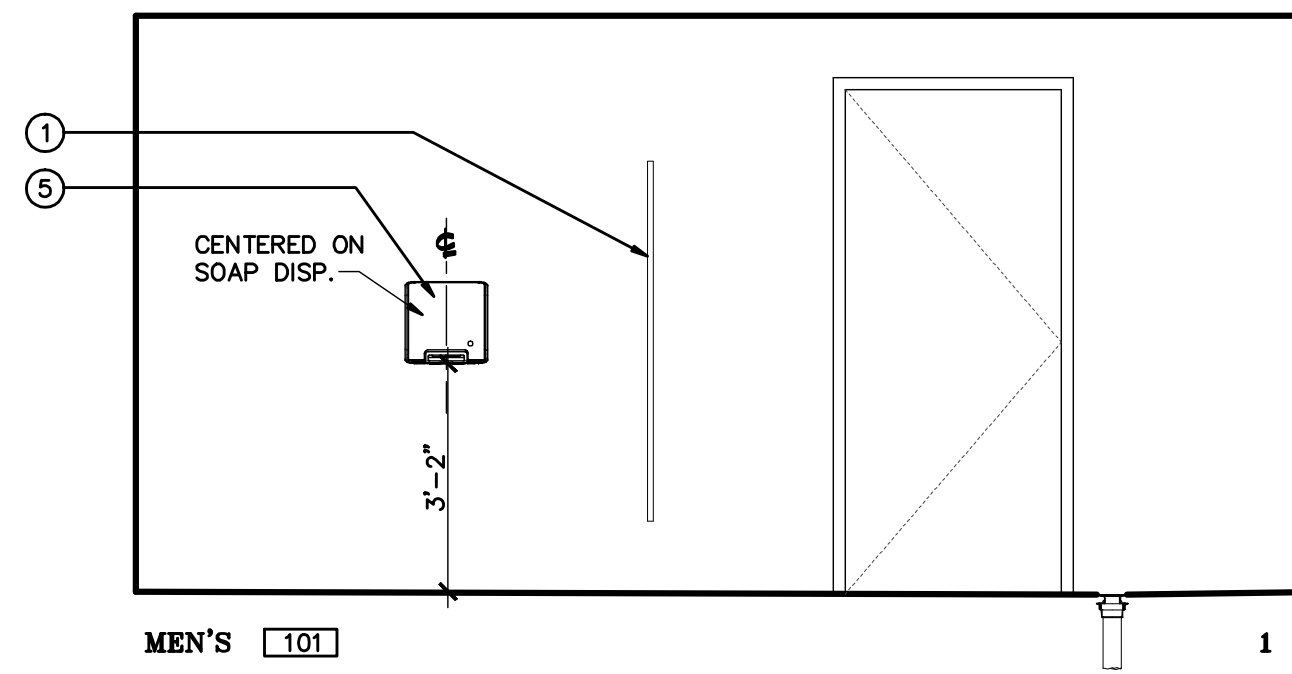
A6.2  
DWG. NO.



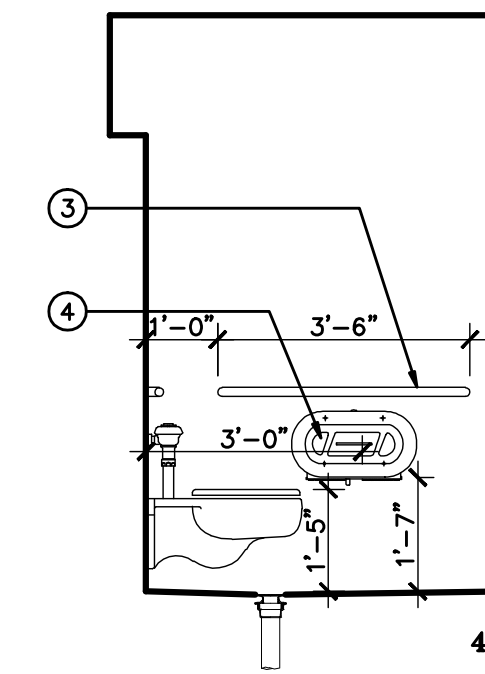
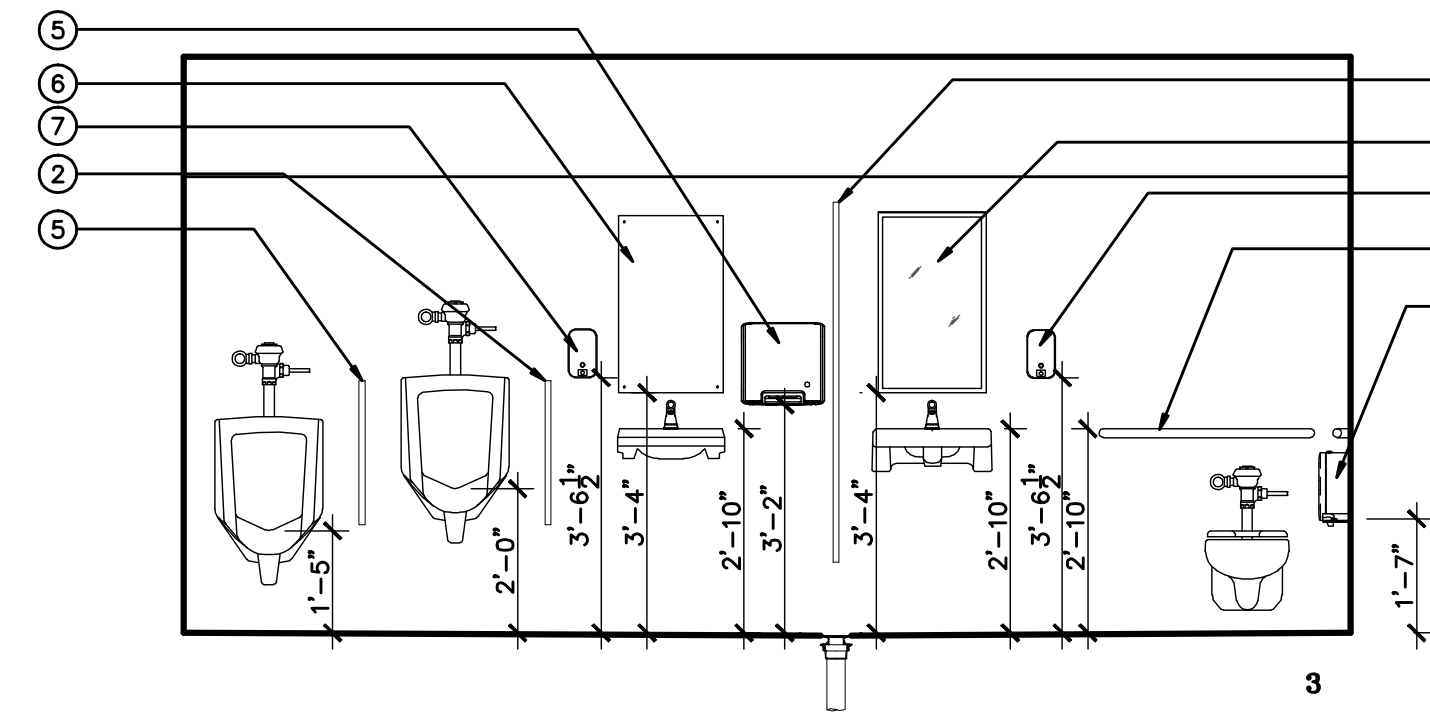
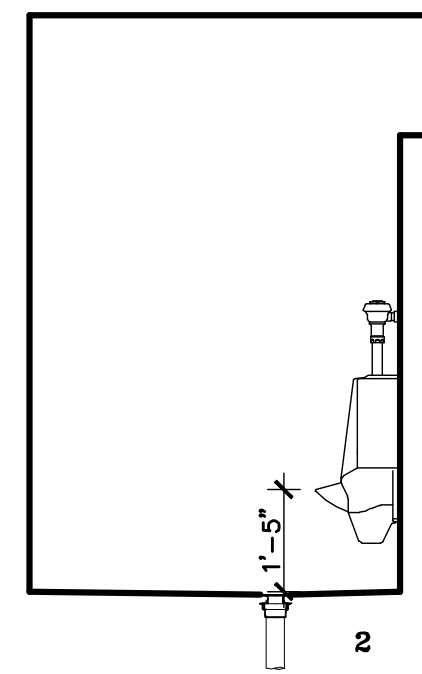
LADIES 100



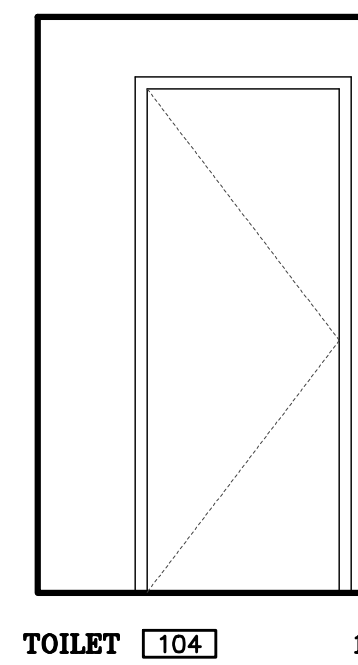
LADIES RESTROOM INTERIOR ELEVATIONS



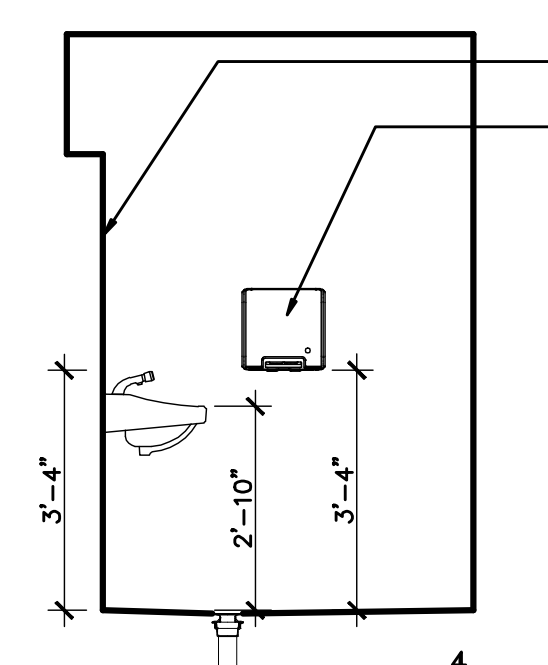
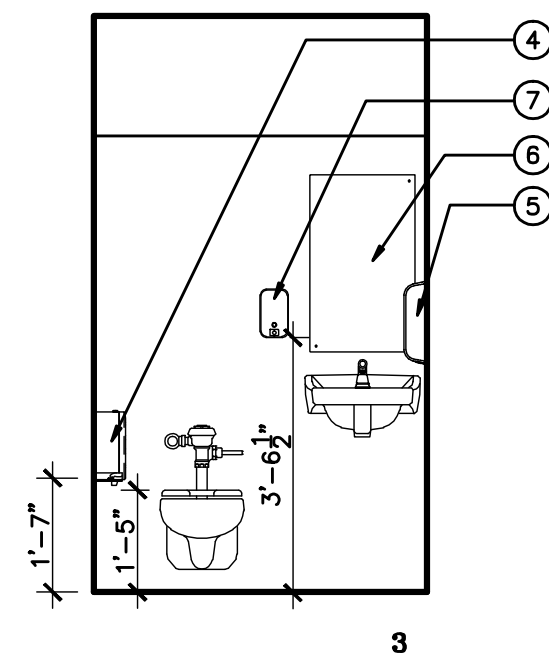
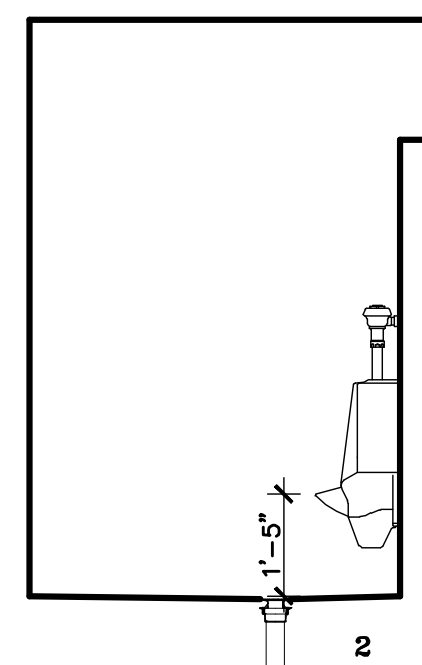
MEN'S 101



MEN'S RESTROOM INTERIOR ELEVATIONS



TOILET 104

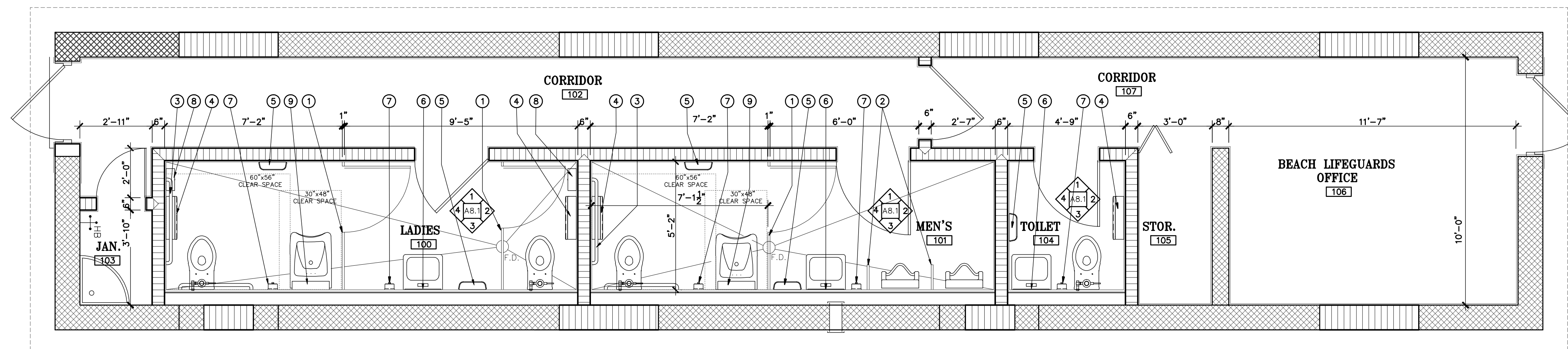


1. TOILET PARTITION (BRADLEY SOLID PLASTIC H.D.P.E. SERIES 700, SENTINEL)
2. URINAL PARTITION (BRADLEY SOLID PLASTIC H.D.P.E. SERIES 700, SENTINEL)
3. GRAB BAR BRADLEY 812 1 1/4" STAINLESS STEEL W/ SATIN FINISH SEE ELEV'S FIR
4. TOILET TISSUE DISPENSER (DOUBLE ROLL) SURFACE MOUNTED (BRADLEY 5425)
5. HAND DRYER (BRADLEY 2902-2874, STAINLESS STEEL SATIN FINISH, SURFACE MOUNTED)
6. FRAMELESS STAINLESS STEEL MIRROR (BRADLEY 784-18x30, W/ NO.8 ARCHITECTURAL MOUNTING)
7. SURFACE MOUNTED SOAP DISPENSER (BRADLEY 6A00-11, SATIN STAINLESS STEEL)
8. SURFACE MOUNTED SANITARY NAPKIN DISPOSAL (BRADLEY 4410-11, SURFACE MOUNTED)
9. WALL MOUNTED TILT MIRROR (BRADLEY STANDARD MODEL 740-1830)

NOTES:  
MOUNT ALL TOILET ACCESSORY FOR H.C.  
AS PER FLORIDA ACCESSIBILITY REQUIREMENTS  
MANUAL

TOILET ACCESSORIES LEGEND

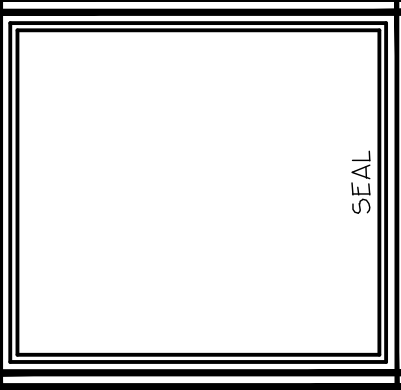
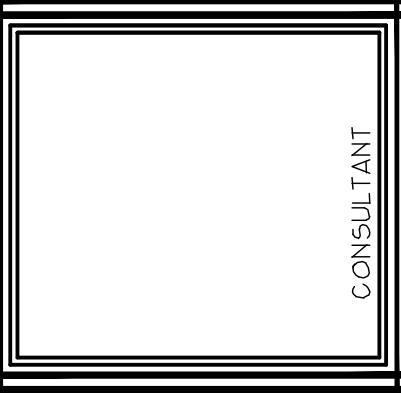
TOILET INTERIOR ELEVATIONS



RESTROOM PLANS



**BRIDGES MARSH & ASSOCIATES, INC.**  
CHARTERED ARCHITECTS  
Eighteen Via Mizner  
Palm Beach, Florida 33480  
Phone: (561) 832 1533  
Fax: (561) 832 1520



**TOWN OF PALM BEACH**  
MID-TOWN RESTROOMS  
JOB NO. 21129  
PALM BEACH FLORIDA

**INTERIOR ELEVATIONS AND PLANS**

21129

NOTE:  
ALL DRAWINGS FOR THIS PROJECT ARE TO BE READ IN CONJUNCTION WITH EACH OTHER. THESE INCLUDE BUT ARE NOT LIMITED TO: ARCHITECTURAL, SURVEYING, STRUCTURAL, CIVIL, MECHANICAL, ELECTRICAL, SPECIALTY DRAWINGS, AND WRITTEN SPECIFICATIONS.  
CONTRACTOR TO VERIFY ALL EXISTING SITE CONDITIONS AND THOROUGHLY CHECK ELEVATIONS AND DIMENSIONS BEFORE COMMENCING WORK. REPORT TO THE ARCHITECT ENGINEER ANY DISCREPANCIES, ERRORS OR CONDITIONS THAT WILL AFFECT CONSTRUCTION AS INTENDED BY THESE DRAWINGS. ARCHITECT IS NOT RESPONSIBLE FOR ANY WORK AND/OR MATERIALS FURNISHED ON THE JOB.

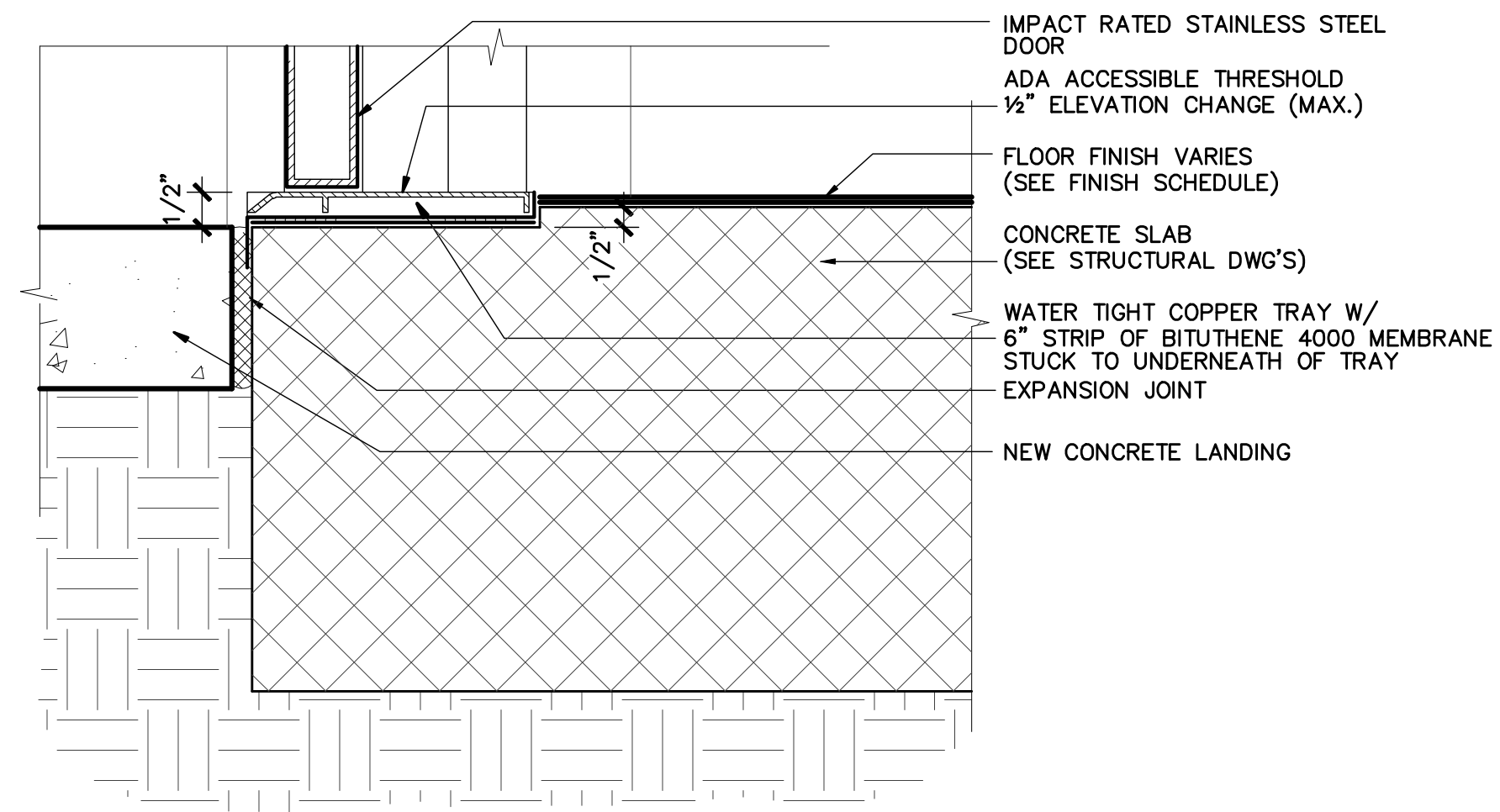
1	6
2	7
3	8
4	9
5	10

3/8" = 1'-0"

DATE: 3/26/12  
DRAWN BY: JMM  
CHECKED BY: MM

A8.1



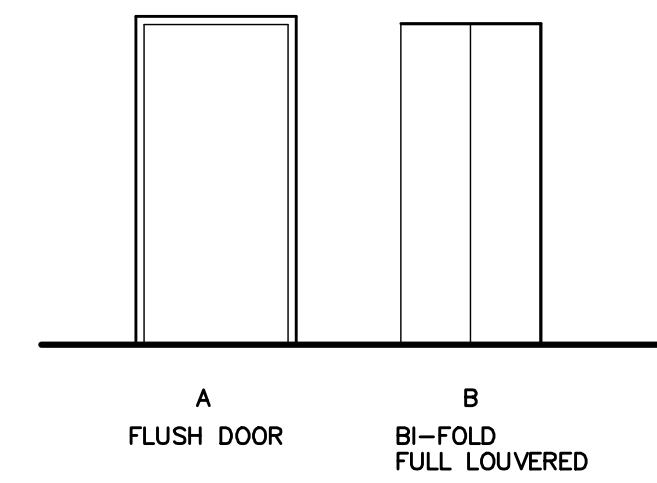


**(TYP.) ADA THRESHOLD DETAIL**  
 3"=1'-0"

ROOM FINISH SCHEDULE										
ROOM	FLOOR	BASE	WALLS	CEILING	REMARKS					
	EXIST. CONCRETE PAINTED NON-SLIP EPOXY	NONE	PAINTED STUCCO	PAINTED STUCCO	CEILING HEIGHT					
100	LADIES RESTROOM	●		●		●				±8'0"
101	MEN'S RESTROOM	●		●		●				±8'0"
102	CORRIDOR	●		●		●				±8'0"
103	JANITOR	●		●		●				±8'0"
104	TOILET	●		●		●				±8'0"
105	STORAGE	●		●		●				±8'0"
106	BEACH LIFEGUARDS OFFICE	●		●		●				±8'0"
107	CORRIDOR	●		●		●				±8'0"

DOOR SCHEDULE										
DOOR MARK	SIZE	MATERIAL	FRAME	ELEVATION LABEL	HARDWARE	REMARKS				
		FIBERGLASS REINFORCED PLASTIC	FIBERGLASS REINFORCED PLASTIC							
100	1 3'0" 6'8" 1 3/4"	●	●	A						
101	1 3'0" 6'8" 1 3/4"	●	●	A						
102	1 3'0" 6'8" 1 3/4"	●	●	A		IMPACT RATED W/ HANDICAP ACCESSIBLE THRESHOLD				
103	1 2'6" 6'8" 1 3/4"	●	●	A						
104	1 2'8" 6'8" 1 3/4"	●	●	A						
105	1 3'0" 6'8" 1 3/4"	●	●	B		BI-FOLD				
106	1 3'0" 6'8" 1 3/4"	●	●	A		IMPACT RATED W/ HANDICAP ACCESSIBLE THRESHOLD				
107	1 3'0" 6'8" 1 3/4"	●	●	A						

NOTE:  
 SEE TYPICAL ADA THRESHOLD DETAIL THIS SHEET FOR HANDICAP ACCESSIBLE THRESHOLD



**BRIDGES MARSH & ASSOCIATES, INC.**  
 CHARTERED ARCHITECTS  
 Eighteen Via Mizner  
 Palm Beach, Florida 33480  
 Phone: (561) 832 1533  
 Fax: (561) 832 1520

CONSULTANT

SEAL

**TOWN OF PALM BEACH MID-TOWN RESTROOMS**  
 PALM BEACH FLORIDA

SCHEDULES ELEVATIONS AND DETAILS  
 DRAWING

21129  
 JOB NO.

NOTE:  
 ALL DRAWINGS FOR THIS PROJECT ARE TO BE READ IN CONNECTION WITH EACH OTHER. THESE INCLUDE BUT ARE NOT LIMITED TO: ARCHITECTURAL, SURVEYING, STRUCTURAL, CIVIL, MECHANICAL, ELECTRICAL, SPECIALTY DRAWINGS, AND WRITTEN SPECIFICATIONS.  
 CONTRACTOR TO VERIFY ALL EXISTING SITE CONDITIONS AND THOROUGHLY CHECK ELEVATIONS AND DIMENSIONS BEFORE COMMENCING WORK. REPORT TO THE ARCHITECT ENGINEER ANY DISCREPANCIES, ERRORS OR CONDITIONS THAT WILL AFFECT CONSTRUCTION AS INTENDED BY THESE DRAWINGS. ARCHITECT IS NOT RESPONSIBLE FOR ANY WORK AND/OR MATERIALS FURNISHED ON THE JOB.

1	6
2	7
3	8
4	9
5	10

AS NOTED  
 SCALE

3/26/12 DATE  
 T.M. HANSEN  
 M.M.  
 C.M. BROWN

A9.1  
 DWG. INC.

**DEMOLITION NOTES FOR REMODELING**

**REQUIREMENTS**

1. WORK INCLUDED:
  - A. REMOVE DESIGNATED BUILDING EQUIPMENT AND FIXTURES.
  - B. REMOVE DESIGNATED PARTITIONS AND COMPONENTS.
  - C. CAP AND IDENTIFY EXPOSED UTILITIES.
  - D. PROVIDE TEMPORARY PARTITIONS TO ALLOW CONTINUED BUILDING OCCUPANCY BY OWNER.

**PROTECTION**

1. DO NOT INTERFERE WITH USE OF ADJACENT BUILDINGS. MAINTAIN FREE AND SAFE PASSAGE TO AND FROM.
2. PREVENT MOVEMENT AND SETTLEMENT OF STRUCTURES. PROVIDE AND PLACE BRACING OR SHORING AND BE RESPONSIBLE FOR SAFETY AND SUPPORT OF STRUCTURE. ASSUME LIABILITY FOR SUCH MOVEMENT, SETTLEMENT, DAMAGE, OR INJURY.
3. CEASE OPERATIONS AND NOTIFY ARCHITECT IMMEDIATELY, IF SAFETY OF STRUCTURE APPEARS TO BE ENDANGERED. TAKE PRECAUTIONS TO PROPERLY SUPPORT STRUCTURE. DO NOT RESUME OPERATIONS UNTIL SAFETY IS RESTORED.
4. PROVIDE, ERECT, AND MAINTAIN BARRICADES, LIGHTING, AND GUARD RAILS AS REQUIRED BY APPLICABLE REGULATORY ADVISORY TO PROTECT OCCUPANTS OF BUILDING AND WORKERS.

**EXISTING SERVICES**

1. ARRANGE AND PAY FOR DISCONNECTING, REMOVING AND CAPPING UTILITY SERVICES WITHIN AREAS OF DEMOLITION. DISCONNECT AND STUB OFF. NOTIFY THE AFFECTED UTILITY COMPANY IN ADVANCE AND OBTAIN APPROVAL BEFORE STARTING THIS WORK.
2. PLACE MARKERS TO INDICATE LOCATION OF DISCONNECTED SERVICES. IDENTIFY SERVICE LINES AND CAPPING LOCATIONS ON PROJECT RECORD DOCUMENTS.

**PRODUCTS**

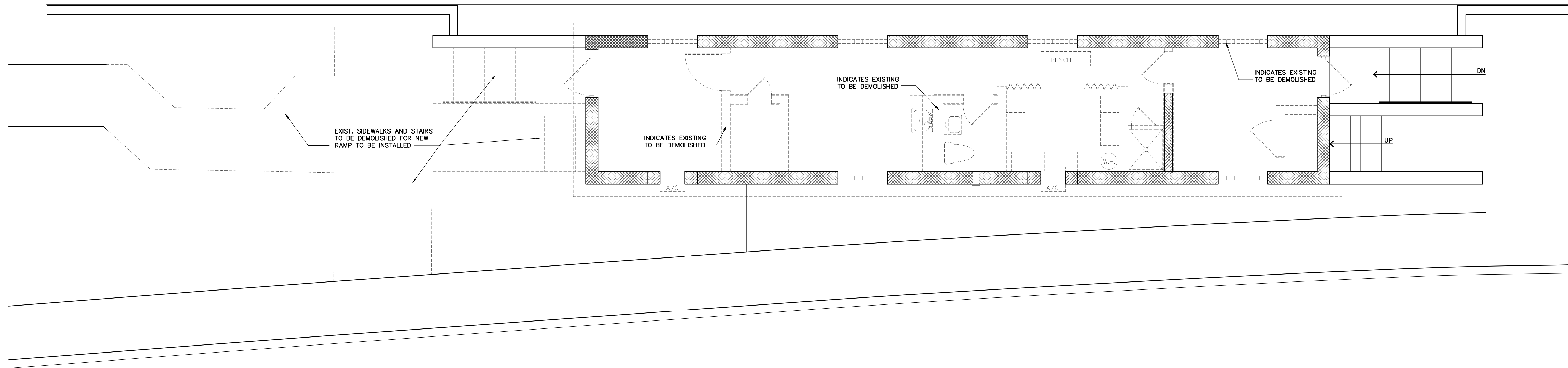
1. EXCEPT WHERE NOTED OTHERWISE, MAINTAIN POSSESSION OF MATERIALS BEING DEMOLISHED. IMMEDIATELY REMOVE FROM SITE.
2. CAREFULLY REMOVE, STORE AND PROTECT FOR RE-INSTALLATION MATERIALS TO BE REUSED

**EXECUTION**

1. ERECT WEATHERPROOF CLOSURES FOR EXTERIOR OPENINGS. MAINTAIN EXIT REQUIREMENTS
2. ERECT AND MAINTAIN DUSTPROOF PARTITIONS AS REQUIRED TO PREVENT SPREAD OF DUST, FUMES AND SMOKE TO OTHER PARTS OF THE BUILDING. ON COMPLETION, REMOVE PARTITIONS AND REPAIR DAMAGED SURFACES TO MATCH ADJACENT SURFACES.
3. PROVIDE PROPER PROTECTION FROM FALLING OBJECTS OVER ENTRANCES WHICH ARE TO BE KEPT OPEN DURING NORMAL WORKING HOURS.
4. CARRY OUT DEMOLITION WORK TO CAUSE AS LITTLE INCONVENIENCE TO ADJACENT OCCUPIED BUILDING AREAS AS POSSIBLE.

**DEMOLITION**

1. DEMOLISH IN AN ORDERLY AND CAREFUL MANNER AS REQUIRED TO ACCOMMODATE NEW WORK, INCLUDING THAT REQUIRED FOR CONNECTION TO THE EXISTING BUILDING. PROTECT EXISTING FOUNDATIONS AND SUPPORTING STRUCTURAL MEMBERS.
2. REPAIR ALL DEMOLITION PERFORMED IN EXCESS OF THAT REQUIRED, AT NO COST.
3. BURNING OF MATERIALS ON SITE IS NOT PERMITTED.
4. REMOVE FROM SITE, CONTAMINATED, VERMIN INFESTED OR DANGEROUS MATERIALS ENCOUNTERED AND DISPOSE OF BY SAFE MEANS SO AS NOT TO ENDANGER HEALTH OF WORKERS AND PUBLIC
5. REMOVE DEMOLISHED MATERIALS, TOOLS AND EQUIPMENT FROM SITE UPON COMPLETION OF WORK. LEAVE SITE IN A CONDITION ACCEPTABLE TO THE OWNER.

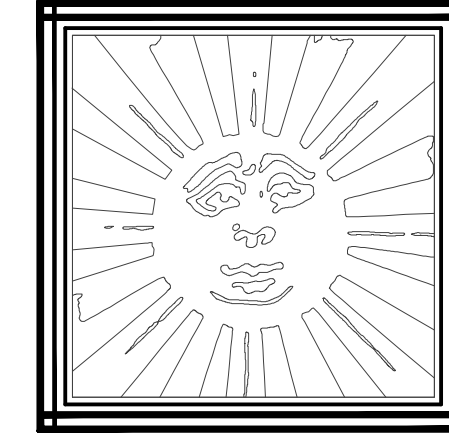


**DEMOLITION PLAN**

NORTH

**SHEET LEGEND**

- = INDICATES EXISTING EXTERIOR WOOD FRAMING TO REMAIN
- = INDICATES EXISTING TO DEMOLISH



**BRIDGES MARSH & ASSOCIATES, INC.**  
 CHARTERED ARCHITECTS  
 Eighteen Via Mizner  
 Palm Beach, Florida 33480  
 Phone: (561) 832 1533  
 Fax: (561) 832 1520

CONSULTANT

SEAL

**TOWN OF PALM BEACH**  
 MID-TOWN RESTROOMS  
 PALM BEACH FLORIDA

**DEMOLITION PLAN**  
 DRAWING

**21129**  
 JOB NO.

NOTE:  
 ALL DRAWINGS FOR THIS PROJECT ARE TO BE READ IN CONNECTION WITH EACH OTHER. THESE INCLUDE BUT ARE NOT LIMITED TO: ARCHITECTURAL, SURVEYING, STRUCTURAL, CIVIL, MECHANICAL, ELECTRICAL, SPECIALTY DRAWINGS, AND WRITTEN SPECIFICATIONS.  
 CONTRACTOR TO VERIFY ALL EXISTING SITE CONDITIONS AND THOROUGHLY CHECK ELEVATIONS AND DIMENSIONS BEFORE COMMENCING WORK. REPORT TO THE ARCHITECT ENGINEER ANY DISCREPANCIES, ERRORS OR CONDITIONS THAT WILL AFFECT CONSTRUCTION AS INTENDED BY THESE DRAWINGS. ARCHITECT IS NOT RESPONSIBLE FOR ANY WORK AND/OR MATERIALS FURNISHED ON THE JOB.

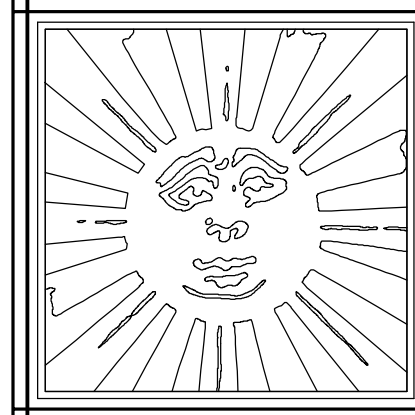
1	6
2	7
3	8
4	9
5	10

REVISIONS

**1/4" = 1'-0"**  
 SCALE

DATE: 3/26/12  
 CHK: [Signature]  
 DATE: [Signature]

**D-1**  
 DWG. NO.



**BRIDGES MARSH & ASSOCIATES, INC.**  
 CHARTERED ARCHITECTS  
 Eighteen Via Mizner  
 Palm Beach, Florida 33480  
 Phone: (561) 832 1533  
 Fax: (561) 832 1520

**Kimley-Horn and Associates, Inc.**  
 1920 WEKIVA WAY SUITE 200,  
 WEST PALM BEACH, FL 33411  
 PHONE: 561-845-0665  
 FAX: 561-863-8175  
 WWW.KIMLEY-HORN.COM  
 CA 00000696

SEAL  
 KEVIN M. SCHANEN  
 FL PE #60251

TOWN OF  
 PALM BEACH  
 MID-TOWN  
 RESTROOMS  
 JOB  
 PALM BEACH  
 FLORIDA

SITE  
 DEMOLITION  
 PLAN  
 DRAWING

21129  
 JOB NO.

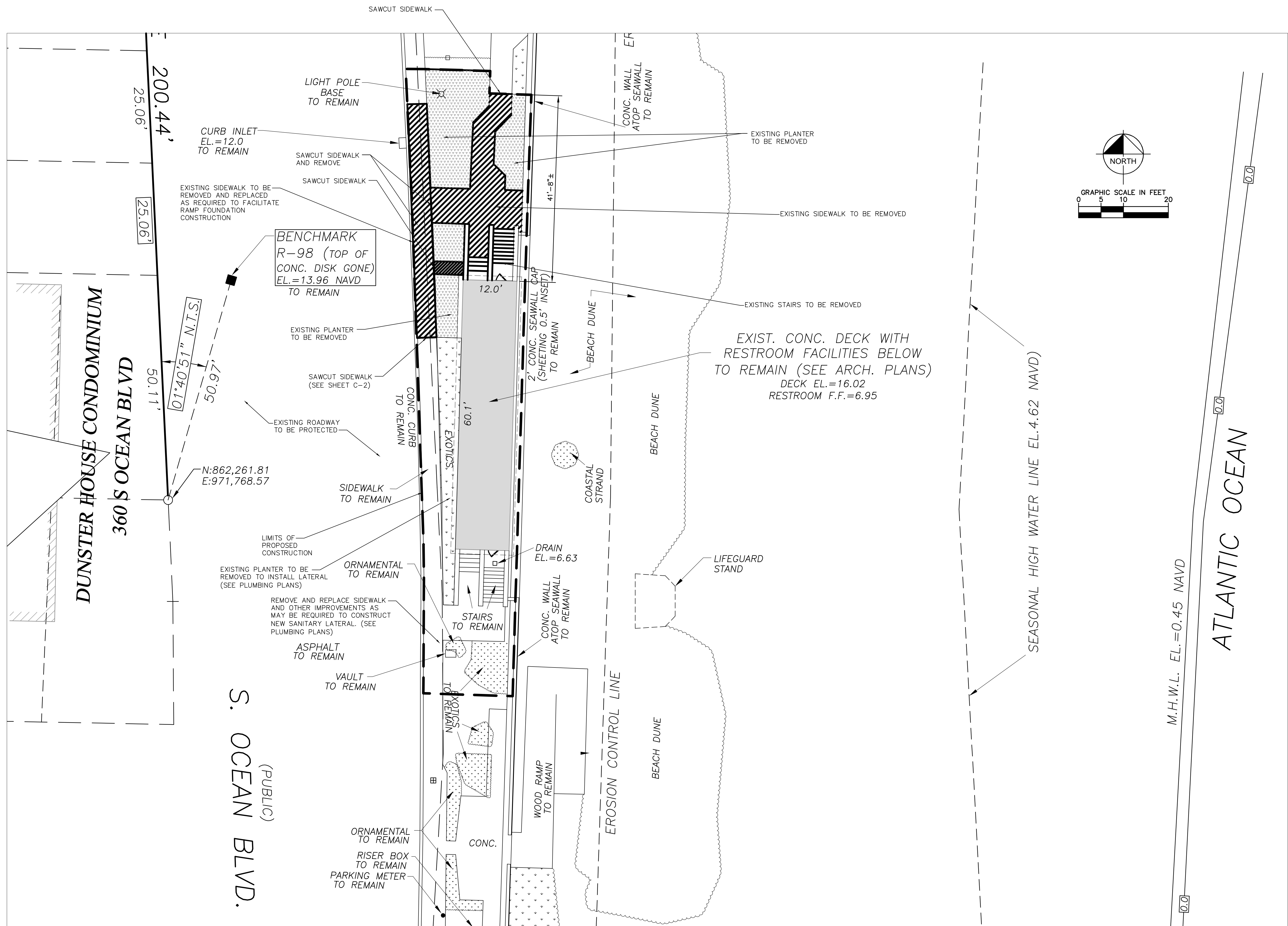
NOTE:  
 ALL DRAWINGS FOR THIS PROJECT ARE TO BE READ IN CONJUNCTION WITH EACH OTHER. THESE INCLUDE, BUT ARE NOT LIMITED TO, ARCHITECTURAL, SURVEYING, STRUCTURAL, CIVIL, MECHANICAL, ELECTRICAL, SPECIALTY DRAWINGS, AND WRITTEN SPECIFICATIONS.  
 CONTRACTOR TO VERIFY ALL EXISTING SITE CONDITIONS AND THOROUGHLY CHECK ELEVATIONS AND DIMENSIONS BEFORE COMMENCING WORK. REPORT TO THE ARCHITECT ENGINEER ANY DISCREPANCIES, ERRORS OR CONDITIONS THAT WILL ALTER CONSTRUCTION AS INTENDED BY THESE DRAWINGS. ARCHITECT IS NOT RESPONSIBLE FOR ANY WORK AND/OR MATERIALS FURNISHED ON THE JOB.

1	6
2	7
3	8
4	9
5	10

AS SHOWN SCALE

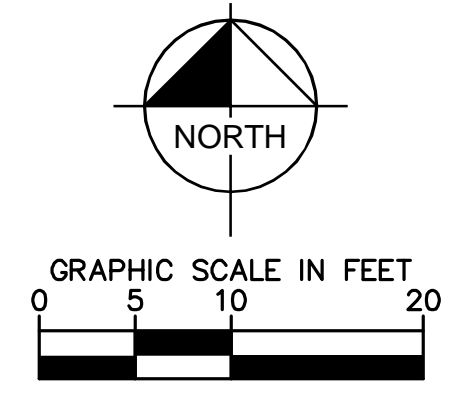
3/26/12 DATE  
 AKP  
 KMS  
 CHK'D DRAWN

C-1  
 DWG. NO.

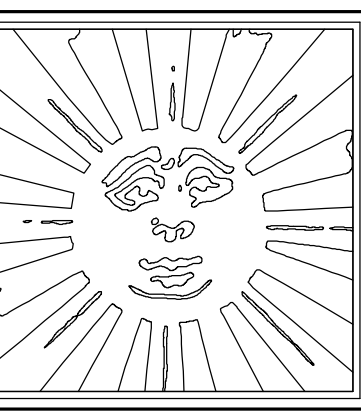


NOTES:  
 1. CONTRACTOR TO PROVIDE SHEETING/SHORING AS REQUIRED TO PREVENT IMPACTS TO EXISTING ROADWAY AND CURBING

DEMOLITION PLAN  
 AS SHOWN



CALL 2 WORKING DAYS BEFORE YOU DIG  
**811**  
 IT'S THE LAW! DIAL 811  
 Know what's below. Call before you dig.  
 SUNSHINE STATE ONE CALL OF FLORIDA, INC.



**BRIDGES MARSH & ASSOCIATES, INC.**  
**CHARTERED ARCHITECTS**

Eighteen Via Mizner  
 Palm Beach, Florida 33480

Phone: (561) 832 1533  
 Fax: (561) 832 1520

**Kimley-Horn and Associates, Inc.**  
 1920 WEKIVA WAY SUITE 200,  
 WEST PALM BEACH, FL 33411  
 PHONE: 561-845-0665  
 FAX: 561-863-8175  
 WWW.KIMLEY-HORN.COM  
 CA 00000696

SEAL  
 KEVIN M. SCHANEN  
 FL PE #60251

**TOWN OF PALM BEACH**  
**MID-TOWN RESTROOMS**  
 PALM BEACH  
 FLORIDA

RAMP LAYOUT  
 DRAWING

21129  
 JOB NO.

NOTE:  
 ALL DRAWINGS FOR THIS PROJECT ARE TO BE READ IN CONJUNCTION WITH EACH OTHER. THESE INCLUDE, BUT ARE NOT LIMITED TO, ARCHITECTURAL, SURVEYING, STRUCTURAL, CIVIL, MECHANICAL, ELECTRICAL, SPECIALTY DRAWINGS, AND WRITTEN SPECIFICATIONS.  
 CONTRACTOR TO VERIFY ALL EXISTING SITE CONDITIONS AND THOROUGHLY CHECK ELEVATIONS AND DIMENSIONS BEFORE COMMENCING WORK. REPORT TO THE ARCHITECT ENGINEER ANY DISCREPANCIES, ERRORS OR CONDITIONS THAT WILL ALTER CONSTRUCTION AS INTENDED BY THESE DRAWINGS. ARCHITECT IS NOT RESPONSIBLE FOR ANY WORK AND/OR MATERIALS FURNISHED ON THE JOB.

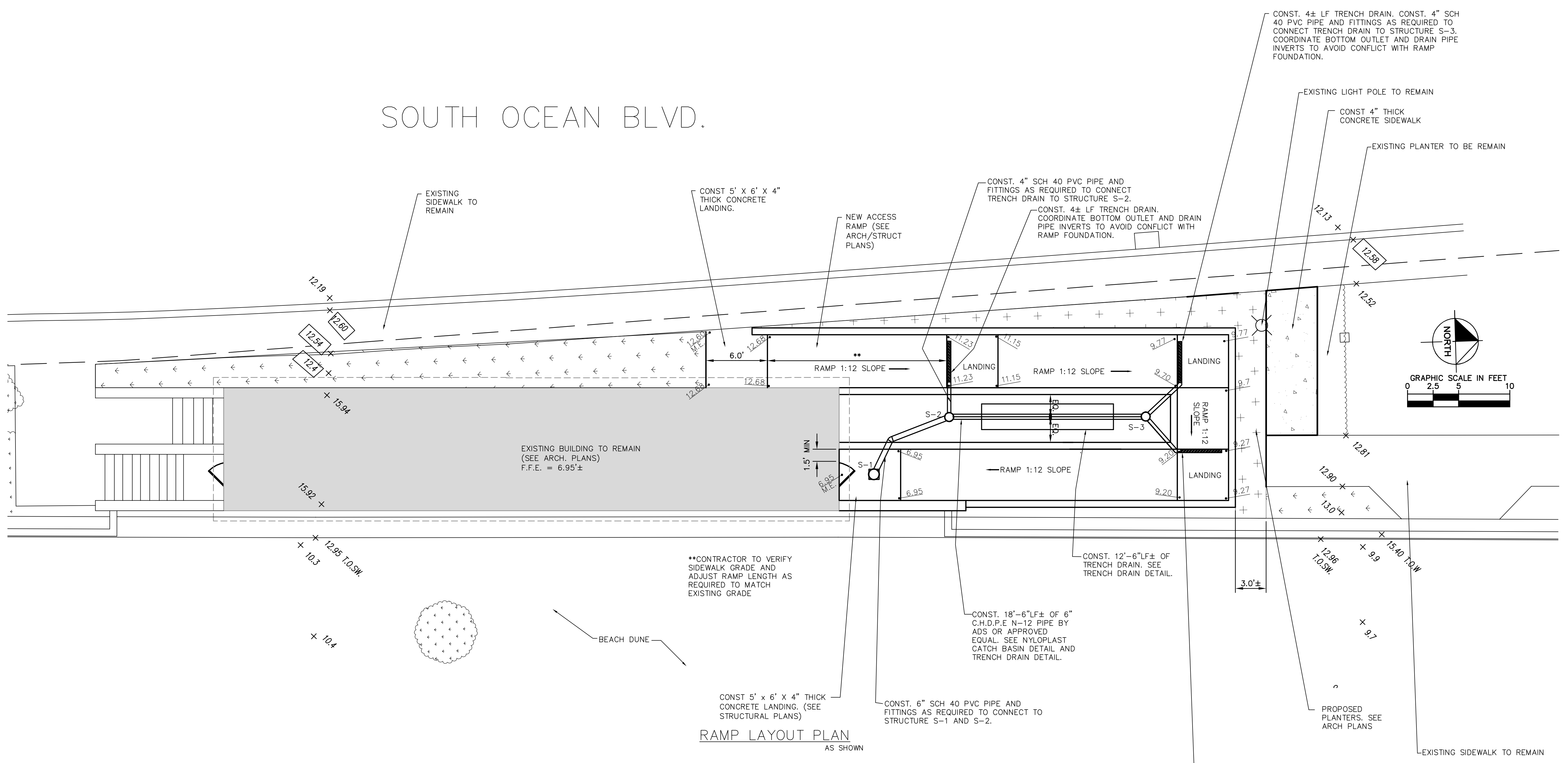
1	6
2	7
3	8
4	9
5	10

AS SHOWN SCALE

3/26/12 DATE  
 AKP CHK  
 KMS DRW

C-2  
 DWG. NO.

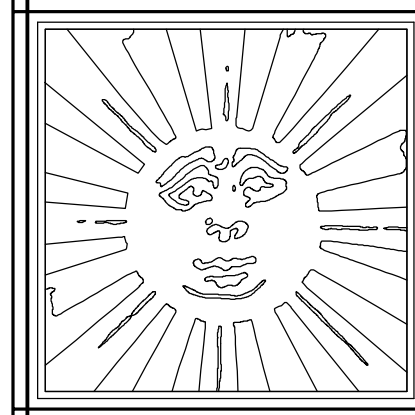
# SOUTH OCEAN BLVD.



**RAMP LAYOUT PLAN**  
 AS SHOWN

- S-1  
 CONST. 12" NYLOPLAST DRAIN BASIN AND 12" BRONZE PEDESTRIAN LIGHT DUTY GRATE BY ADS OR APPROVED EQUAL.  
 GRATE ELEV. = 6.92±  
 INVERT ELEV. = 5.4±\*  
 BOTTOM ELEV. = 3.9±  
 \*CONTRACTOR TO COORDINATE EXACT INVERT LOCATION IN FIELD TO AVOID CONFLICT WITH RAMP FOUNDATION.
- S-2  
 CONST. 12" NYLOPLAST DRAIN BASIN AND 12" SOLID LIGHT DUTY COVER BY ADS OR APPROVED EQUAL.  
 GRATE ELEV. = 12.5±  
 INVERT ELEV. = 4.7± (SE)  
 INVERT ELEV. = 4.7± (SW)  
 INVERT ELEV. = 4.7± (N)  
 BOTTOM ELEV. = 4.2±
- S-3  
 CONST. 12" NYLOPLAST DRAIN BASIN AND 12" SOLID LIGHT DUTY COVER BY ADS OR APPROVED EQUAL.  
 GRATE ELEV. = 12.5±  
 INVERT ELEV. = 4.7± (NE)  
 INVERT ELEV. = 4.7± (NW)  
 INVERT ELEV. = 4.7± (S)  
 BOTTOM ELEV. = 4.2±

CALL 2 WORKING DAYS BEFORE YOU DIG **811**  
 IT'S THE LAW! DIAL 811 Know what's below. Call before you dig.  
 SUNSHINE STATE ONE CALL OF FLORIDA, INC.



**BRIDGES MARSH & ASSOCIATES, INC.**  
 CHARTERED ARCHITECTS  
 Eighteen Via Mizner  
 Palm Beach, Florida 33480  
 Phone: (561) 832 1533  
 Fax: (561) 832 1520

**Kimley-Horn and Associates, Inc.**  
 1920 WEKIVA WAY SUITE 200,  
 WEST PALM BEACH, FL 33411  
 PHONE: 561-845-0665  
 FAX: 561-863-8175  
 WWW.KIMLEY-HORN.COM  
 CA 0000696

KEVIN M. SCHANEN  
 FL PE #60251

**TOWN OF PALM BEACH  
 MID-TOWN RESTROOMS**  
 PALM BEACH  
 FLORIDA

CIVIL DETAILS  
 DRAWING

21129  
 JOB NO.

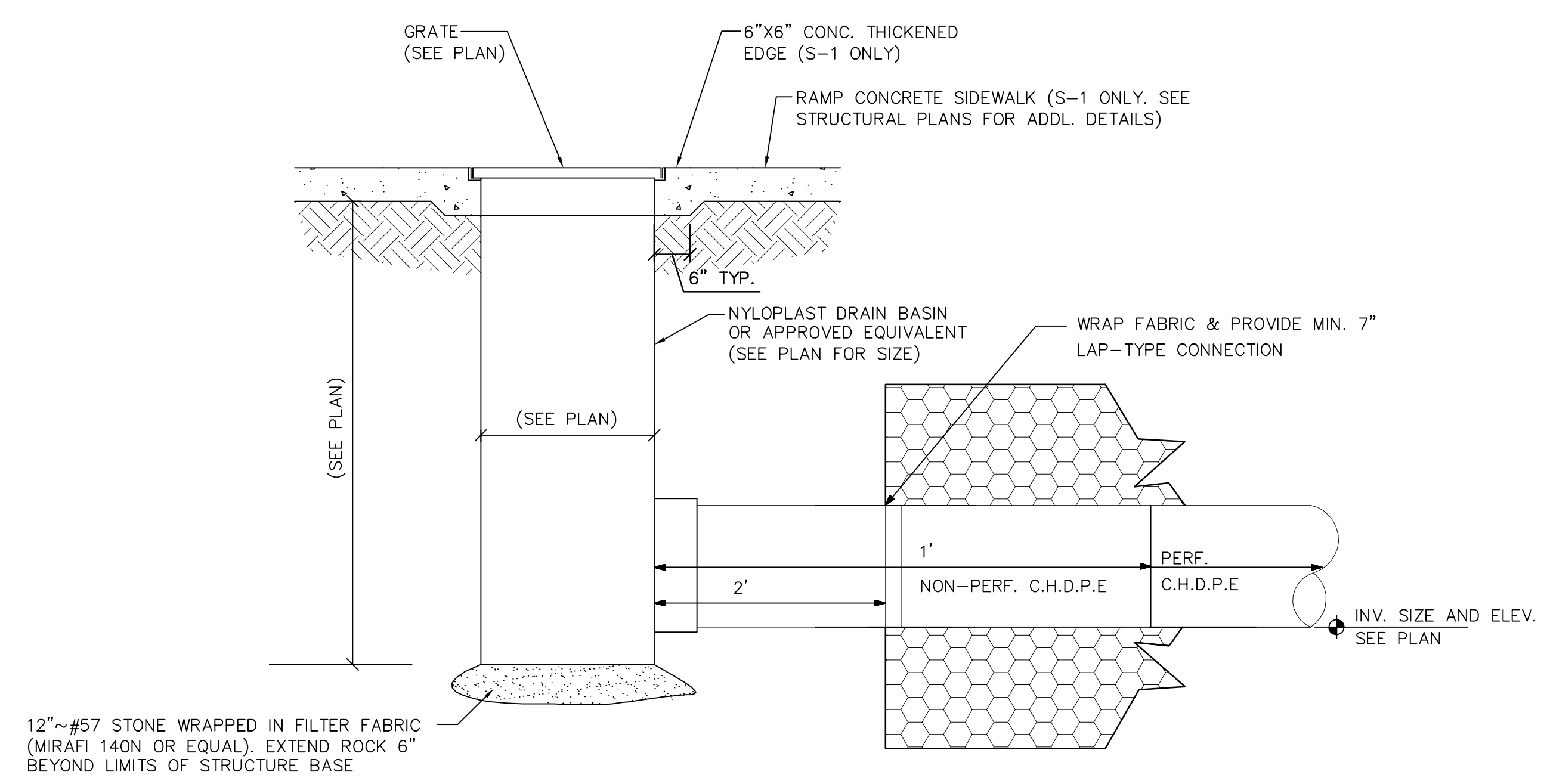
NOTE:  
 ALL DRAWINGS FOR THIS PROJECT ARE TO BE READ IN CONJUNCTION WITH EACH OTHER. THESE INCLUDE, BUT ARE NOT LIMITED TO, ARCHITECTURAL, SURVEYING, STRUCTURAL, CIVIL, MECHANICAL, ELECTRICAL, SPECIALTY DRAWINGS, AND WRITTEN SPECIFICATIONS.  
 CONTRACTOR TO VERIFY ALL EXISTING SITE CONDITIONS AND THOROUGHLY CHECK ELEVATIONS AND DIMENSIONS BEFORE COMMENCING WORK. REPORT TO THE ARCHITECT ENGINEER ANY DISCREPANCIES, ERRORS OR CONDITIONS THAT WILL ALTER CONSTRUCTION AS INTENDED BY THESE DRAWINGS. ARCHITECT IS NOT RESPONSIBLE FOR ANY WORK AND/OR MATERIALS FURNISHED ON THE JOB.

1	6
2	7
3	8
4	9
5	10

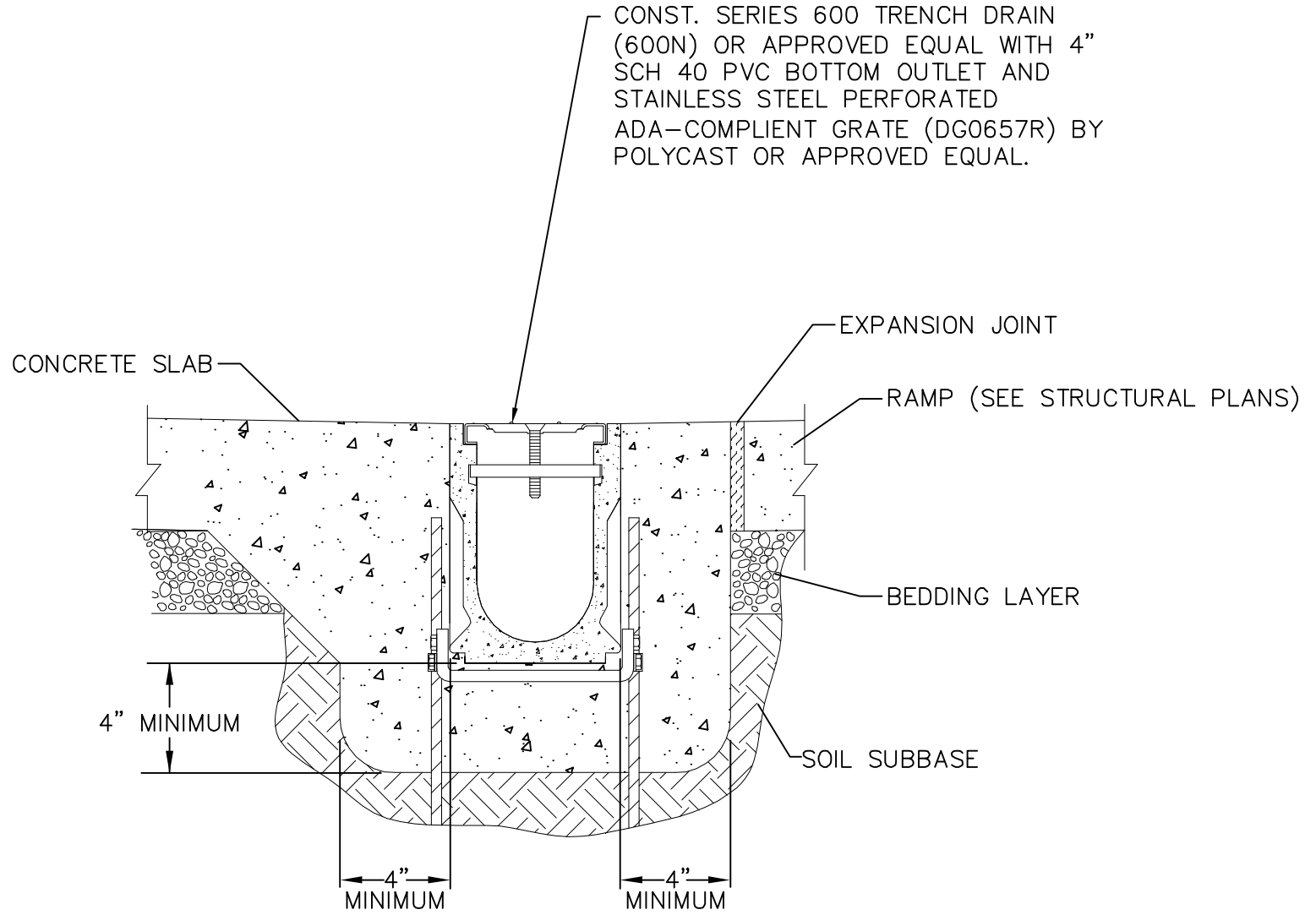
AS SHOWN  
 SCALE

3/26/12 DATE  
 AKP  
 KMS  
 CHK'D/DRAWN

C-3  
 DWG. NO.



NYLOPLAST CATCH BASIN DETAIL  
 N.T.S.



TRENCH DRAIN DETAIL  
 N.T.S.

GENERAL CONSTRUCTION NOTES

1. THE CONTRACTOR SHALL BE RESPONSIBLE FOR FURNISHING ALL MATERIAL AND LABOR TO CONSTRUCT THE FACILITIES AS SHOWN AND DESCRIBED IN THE CONSTRUCTION DOCUMENTS IN ACCORDANCE WITH THE APPROPRIATE APPROVING AUTHORITIES, SPECIFICATIONS AND REQUIREMENTS. ALL WORK SHALL BE PERFORMED IN A PROFESSIONAL MANNER AND SHALL CONFORM WITH ALL APPLICABLE CITY, COUNTY, STATE, AND FEDERAL REGULATIONS AND/OR CODES.
2. EXISTING UTILITIES SHOWN ARE LOCATED ACCORDING TO THE INFORMATION AVAILABLE TO THE ENGINEER AT THE TIME OF THE TOPOGRAPHIC SURVEY. GUARANTEE IS NOT MADE THAT ALL EXISTING UNDERGROUND UTILITIES ARE SHOWN OR THAT THE LOCATION OF THOSE SHOWN ARE ENTIRELY ACCURATE. FINDING THE ACTUAL LOCATION OF ANY EXISTING UTILITIES IS THE CONTRACTOR'S RESPONSIBILITY AND SHALL BE DONE BEFORE HE COMMENCES ANY WORK IN THE VICINITY. FURTHERMORE, THE CONTRACTOR SHALL BE FULLY RESPONSIBLE FOR ANY AND ALL DAMAGES DUE TO THE CONTRACTOR'S FAILURE TO EXACTLY LOCATE AND PRESERVE ANY AND ALL UNDERGROUND UTILITIES. THE OWNER OR ENGINEER WILL ASSUME NO LIABILITY FOR ANY DAMAGES SUSTAINED OR COST INCURRED BECAUSE OF THE OPERATIONS IN THE VICINITY OF EXISTING UTILITIES OR STRUCTURES, NOR FOR TEMPORARY BRACING AND SHORING OF SAME. IF IT IS NECESSARY TO SHORE, BRACE, SWING OR RELOCATE A UTILITY, THE UTILITY COMPANY OR DEPARTMENT AFFECTED SHALL BE CONTACTED AND THEIR PERMISSION OBTAINED REGARDING THE METHOD TO USE FOR SUCH WORK.
3. IT IS THE CONTRACTOR'S RESPONSIBILITY TO CONTACT THE VARIOUS UTILITY COMPANIES WHICH MAY HAVE BURIED OR AERIAL UTILITIES WITHIN OR NEAR THE CONSTRUCTION AREA BEFORE COMMENCING WORK. THE CONTRACTOR SHALL PROVIDE 48 HOURS MINIMUM NOTICE TO ALL UTILITY COMPANIES PRIOR TO BEGINNING CONSTRUCTION.
4. THE CONTRACTOR SHALL BE RESPONSIBLE FOR OBTAINING ALL REQUIRED CONSTRUCTION PERMITS, LICENSES, AND BONDS AS REQUIRED PRIOR TO CONSTRUCTION. CONTRACTOR SHALL OBTAIN COPIES OF AND FAMILIARIZE HIMSELF AND HIS SUBCONTRACTORS WITH THE PERMIT CONDITIONS OF ALL OWNER OBTAINED PERMITS FOR THE WORK.
5. ANY DISCREPANCIES ON THE DRAWINGS SHALL BE IMMEDIATELY BROUGHT TO THE ATTENTION OF THE ENGINEER BEFORE COMMENCING WORK. NO FIELD CHANGES OR DEVIATIONS FROM DESIGN ARE TO BE MADE WITHOUT PRIOR APPROVAL OF THE ENGINEER.
6. THE CONTRACTOR SHALL BE RESPONSIBLE FOR SUBMITTING TO THE ENGINEER A CERTIFIED RECORD SURVEY SIGNED AND SEALED BY A PROFESSIONAL LAND SURVEYOR REGISTERED IN THE STATE OF FLORIDA DEPICTING THE ACTUAL FIELD LOCATION OF ALL CONSTRUCTED IMPROVEMENTS THAT ARE REQUIRED BY THE JURISDICTIONAL AGENCIES FOR THE CERTIFICATION PROCESS. ALL SURVEY COSTS WILL BE THE CONTRACTORS RESPONSIBILITY.
7. THE CONTRACTOR SHALL BE RESPONSIBLE FOR VERIFYING THAT THE PROPOSED IMPROVEMENTS SHOWN ON THE PLANS DO NOT CONFLICT WITH ANY KNOWN EXISTING OR OTHER PROPOSED IMPROVEMENTS. IF ANY CONFLICTS ARE DISCOVERED, THE CONTRACTOR SHALL NOTIFY THE OWNER/ENGINEER PRIOR TO INSTALLATION OF ANY PORTION OF THE SITE WORK THAT WOULD BE AFFECTED. FAILURE TO NOTIFY OWNER/ENGINEER OF AN IDENTIFIABLE CONFLICT PRIOR TO PROCEEDING WITH INSTALLATION RELIEVES OWNER OF ANY OBLIGATION TO PAY FOR A RELATED CHANGE ORDER.
8. ACCESS TO RESIDENCES SHALL BE MAINTAINED TO THE GREATEST EXTENT PRACTICAL. WHEN ACCESS CANNOT BE MAINTAINED, THE TIME OF NON-ACCESS SHALL BE MINIMIZED AND CLOSELY COORDINATED WITH THE PROPERTY OWNER.
9. ANY DAMAGE TO PRIVATE PROPERTY MADE BY THE CONTRACTOR SHALL BE PROMPTLY REPAIRED TO AN EQUAL OR BETTER CONDITION AS IT WAS BEFORE COMMENCEMENT OF THE WORK.

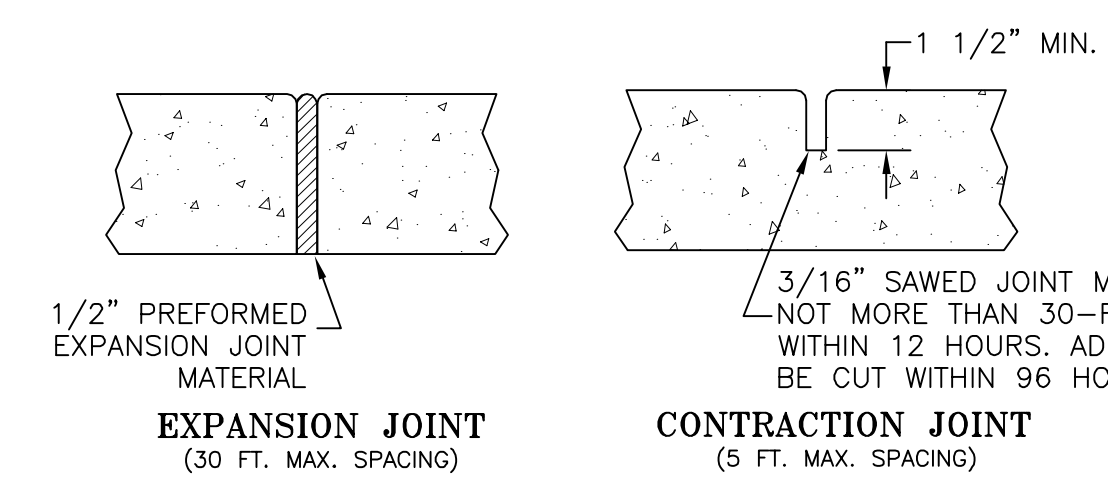
DEMOLITION NOTES

1. REFER TO THE TOPOGRAPHIC SURVEY FOR ADDITIONAL DETAILS OF EXISTING STRUCTURES, ETC., LOCATED WITHIN THE PROJECT SITE. UNLESS OTHERWISE NOTED, ALL EXISTING STRUCTURES, SLABS, PIPES, CONCRETE, ASPHALT, DEBRIS PILES, SIGNS, AND ALL APPURTENANCES ARE TO BE REMOVED FROM THE SITE BY THE CONTRACTOR AND PROPERLY DISPOSED OF IN A LEGAL MANNER AS PART OF THIS CONTRACT. SOME ITEMS TO BE REMOVED MAY NOT BE DEPICTED ON THE TOPOGRAPHIC SURVEY. IT IS THE CONTRACTOR'S RESPONSIBILITY TO VISIT THE SITE AND DETERMINE THE FULL EXTENT OF ITEMS TO BE REMOVED. IF ANY ITEMS ARE IN QUESTION, THE CONTRACTOR SHALL CONTACT THE OWNER PRIOR TO REMOVAL OF SAID ITEMS.
2. THE CONTRACTOR SHALL REFER TO THE PLANS FOR DEMOLITION/PRESERVATION OF EXISTING TREES AND LANDSCAPING. ALL TREES AND LANDSCAPING NOT SPECIFICALLY SHOWN TO BE REMOVED OR RELOCATED SHALL BE PRESERVED AS A PART OF THIS CONTRACT. TREE/LANDSCAPING PROTECTION FENCING SHALL BE INSTALLED PRIOR TO ANY DEMOLITION.
3. ALL CONCRETE WITHIN SAWCUT LIMITS TO BE REMOVED UNLESS OTHERWISE NOTED.
4. ALL OUTLETS AND ELECTRICAL CONDUITS AND SERVICES TO REMAIN AND BE PROTECTED.
5. LANDSCAPING ELEMENTS, TREES, ETC. MAY REQUIRE TEMPORARY RELOCATION TO COMPLETE THE WORK AS SHOWN. CONTRACTOR TO STORE, PROTECT, AND REINSTALL THESE ITEMS UPON COMPLETION OF THE WORK. CONTRACTOR TO COORDINATE WITH PROPERTY OWNER FOR REMOVAL/REINSTALLATION OF THESE ITEMS.

PAVING, GRADING AND DRAINAGE NOTES

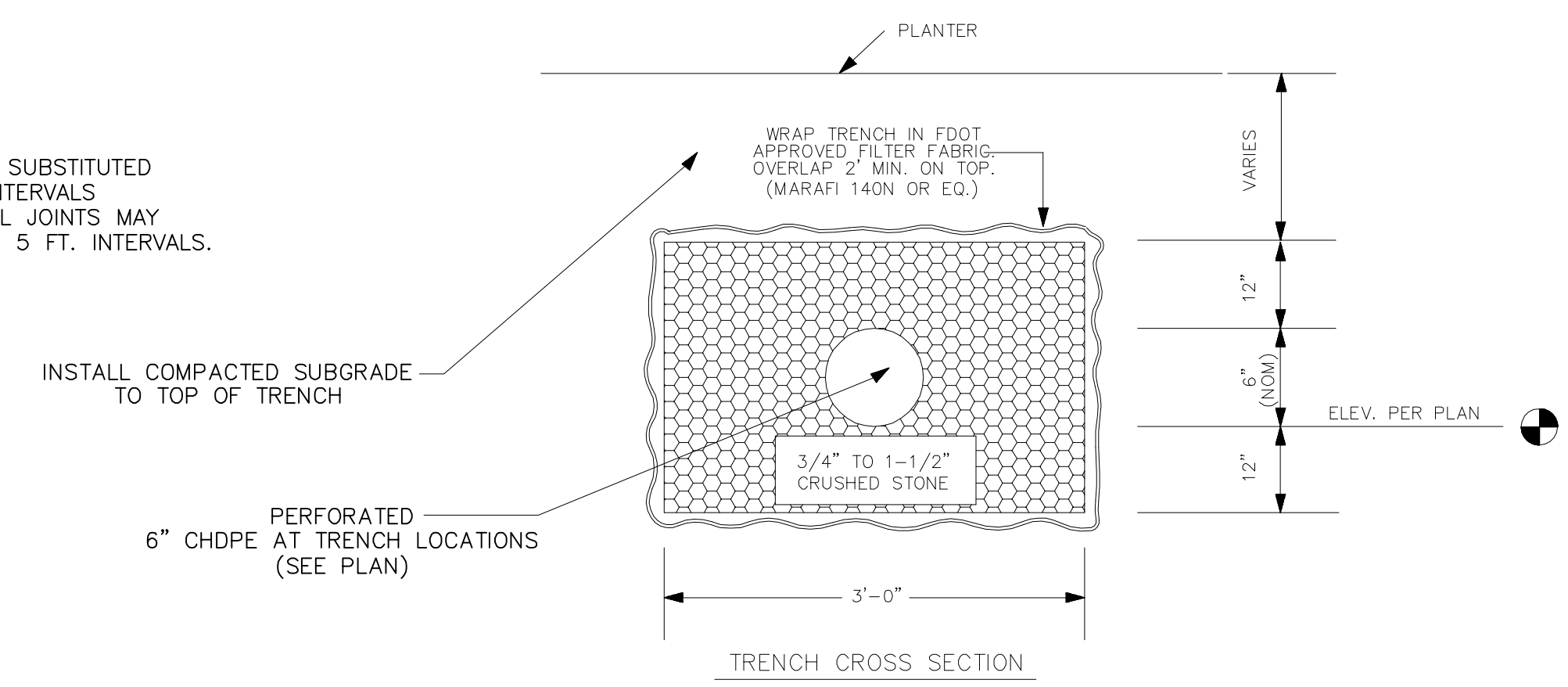
1. ALL PAVING, CONSTRUCTION, MATERIALS, AND WORKMANSHIP WITHIN THE RIGHT-OF-WAY SHALL BE IN ACCORDANCE WITH STANDARDS APPLICABLE TO PUBLIC RIGHTS-OF-WAY STANDARDS AND EASEMENTS WITHIN THE TOWN OF PALM BEACH (TOWN'S STANDARDS) OR FDOT SPECIFICATIONS AND STANDARDS (LATEST EDITION) IF NOT COVERED BY LOCAL OR COUNTY REGULATIONS.
2. ALL ELEVATIONS SHOWN REFER TO NAVD 1988.
3. PIPE LENGTHS ARE MEASURED FROM THE INSIDE WALL OF THE STRUCTURE, UNLESS OTHERWISE NOTED.
4. CONTRACTOR TO APPLY FOR AND MAINTAIN APPROPRIATE DOWATERING PERMIT(S) FOR GOVERNING AGENCIES AND ABIDE BY TERMS AND CONDITIONS OF PERMITS DURING CONSTRUCTION.
5. THE CONTRACTOR SHALL INSTALL FILTER FABRIC OVER ALL DRAINAGE STRUCTURES FOR THE DURATION OF CONSTRUCTION AND UNTIL ACCEPTANCE OF THE PROJECT BY THE OWNER. ALL DRAINAGE STRUCTURES SHALL BE CLEANED OF DEBRIS AS REQUIRED DURING AND AT THE END OF CONSTRUCTION TO PROVIDE POSITIVE DRAINAGE FLOWS.
6. FIELD DENSITY TESTS SHALL BE TAKEN AT INTERVALS IN ACCORDANCE WITH SPECIFICATIONS, THE LOCAL JURISDICTIONAL AGENCY, OR TO FDOT STANDARDS. IN THE EVENT THAT THE CONTRACT DOCUMENTS AND THE JURISDICTIONAL AGENCY REQUIREMENTS ARE NOT IN AGREEMENT, THE MOST STRINGENT REQUIREMENT SHALL GOVERN.
7. THE CONTRACTOR SHALL BE RESPONSIBLE FOR THE CONTROL OF DUST AND DIRT RISING AND SCATTERING IN THE AIR DURING CONSTRUCTION AND SHALL PROVIDE WATER SPRINKLING OR OTHER SUITABLE METHODS OF CONTROL. THE CONTRACTOR SHALL COMPLY WITH ALL GOVERNING REGULATIONS PERTAINING TO ENVIRONMENTAL PROTECTION.
8. THE CONTRACTOR SHALL TAKE ALL REQUIRED MEASURES TO CONTROL TURBIDITY, INCLUDING BUT NOT LIMITED TO THE INSTALLATION OF TURBIDITY BARRIERS AT ALL LOCATIONS WHERE THE POSSIBILITY OF TRANSFERRING SUSPENDED SOLIDS INTO THE RECEIVING WATER BODY EXISTS DUE TO THE PROPOSED WORK. TURBIDITY BARRIERS MUST BE MAINTAINED IN EFFECTIVE CONDITION AT ALL LOCATIONS UNTIL CONSTRUCTION IS COMPLETED AND DISTURBED SOIL AREAS ARE STABILIZED. THEREAFTER, THE CONTRACTOR MUST REMOVE THE BARRIERS. AT NO TIME SHALL THERE BE ANY OFF-SITE DISCHARGE WHICH VIOLATES THE WATER QUALITY STANDARDS IN CHAPTER 17-302, FLORIDA ADMINISTRATIVE CODE.

12"~#57 STONE WRAPPED IN FILTER FABRIC (MIRAFI 140N OR EQUAL), EXTEND ROCK 6" BEYOND LIMITS OF STRUCTURE BASE



NOTES:

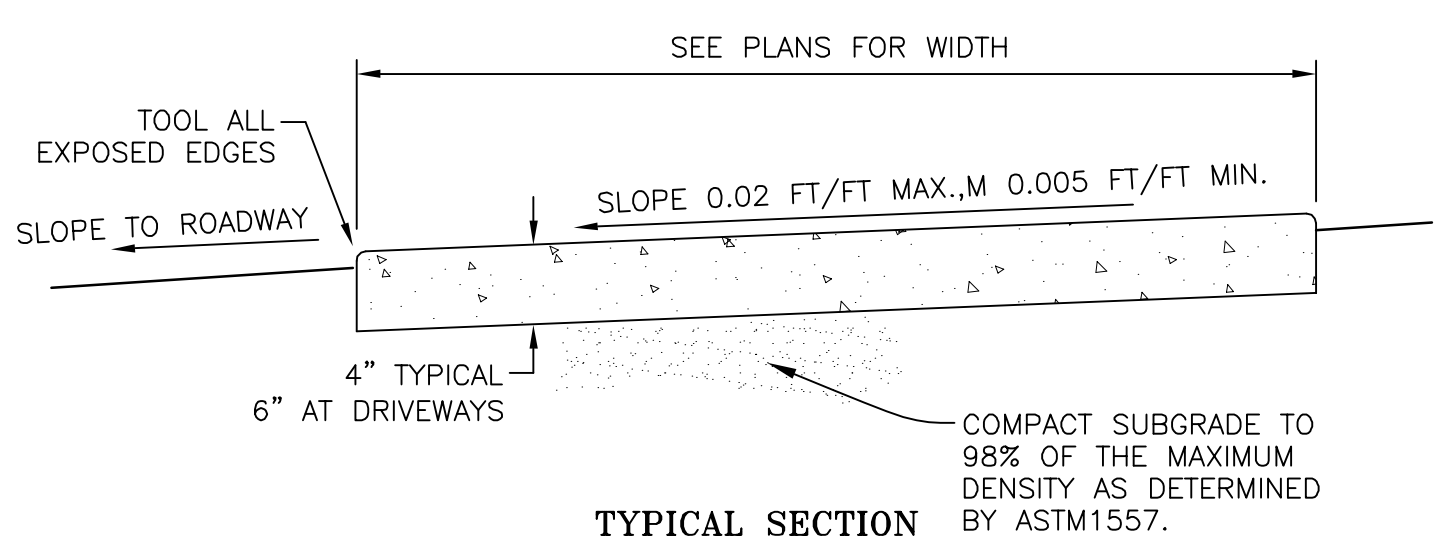
1. PROVIDE EXPANSION JOINTS BETWEEN SIDEWALK AND CURB OR AT ANY OTHER RIGID STRUCTURE, INCLUDING BUILDING AND COLUMN INTERFACES. EXPANSION JOINTS SHALL BE PROVIDED AT 30 FT. MAXIMUM SPACING.
2. ULTIMATE COMPRESSIVE STRENGTH OF CONCRETE SHALL BE 3,000 P.S.I. @ 28 DAYS FOR SIDEWALKS.
3. MINIMUM THICKNESS OF SIDEWALK SHALL BE 4". CONCRETE DRIVEWAYS SHALL BE 6" THICK MINIMUM AND SHALL BE REINFORCED WITH 6 x 6 W1.4 x W1.4 WELDED WIRE MESH, PLACED 3" CLEAR FROM BOTTOM.
4. FOR SIDEWALKS OR DRIVEWAYS, COMPACT SUBGRADE TO 98% OF MAXIMUM DENSITY AS DETERMINED BY ASTM1557.



TRENCH NOTES

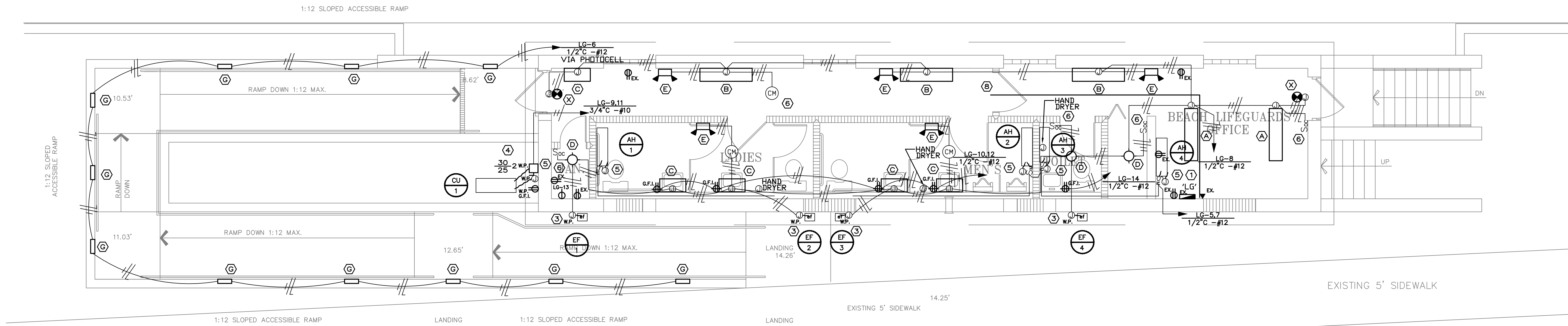
1. CONSTRUCT EXFILTRATION TRENCH PER FDOT STANDARD INDEX No. 285 (LATEST EDITION) WHERE INDICATED ON PLAN. CONSTRUCT TRENCH WALLS VERTICAL.
2. FOUNDATION MATERIAL: WHERE MATERIAL UNSATISFACTORY FOR FOUNDATION IS ENCOUNTERED, ALL SUCH MATERIAL MUST BE REMOVED DOWN TO SATISFACTORY MATERIAL AND BACKFILLED TO SUBGRADE WITH CLEAN SAND, COMPACT TRENCH BACKFILL AND SOIL WITHIN MIN. 5' OF TRENCH TO MIN. 95% OF MAX. DRY DENSITY PER ASTM D-1557.

TYPICAL EXFILTRATION TRENCH DETAIL  
 N.T.S.

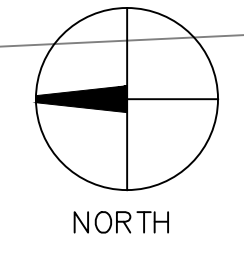


GENERAL CONSTRUCTION CONCRETE SIDEWALK  
 N.T.S.

CALL 2 WORKING DAYS BEFORE YOU DIG  
**811**  
 IT'S THE LAW! DIAL 811  
 Know what's below. Call before you dig.  
 SUNSHINE STATE ONE CALL OF FLORIDA, INC.



## ELECTRICAL FLOOR PLAN



LIGHTING FIXTURE SCHEDULE							
TYPE	VENDOR	CATALOG NUMBER	DESCRIPTION	MOUNTING	LAMP	VOLTAGE	REMARKS
A	KENALL	MLHA48FMWCP228RS1120CDF	1'x4' FLUORESCENT FIXTURE	SURFACE	2-F28T5 SP35	120V	
B	KENALL	MLHA48FMWCP228RS1120CDFCB	TYPE 'A' W/ CORNER MOUNTING BRACKET	SURFACE	2-F28T5 SP35	120V	FURNISH CORNER MTG. KIT
C	KENALL	MLHA48FMWCP217RS1120CDFCMB	1'x2' FLUORESCENT FIXTURE W/ CNR. BRKT.	SURFACE	2-F17T1 SP35	120V	
D	KENALL	MR13FLPMMW131120/NPT-4	SURFACE ROUND FLUORESCENT FIXTURE	SURFACE	1-PL13TT SP35	120V	W/ NPT-4 SURFACE ADAPTER
E	KENALL	METELHC48NW212H120	EGRESS LIGHT FIXTURE	SURFACE	2-12W HALOGEN	120V	W/ BATTERY BACKUP
G			LOUVERED STEP LIGHT	RECESSED	FLOUR.	120V	PHOTOCELL CONTROLLED
X	KENALL	METDUMW120EL	EMERGENCY EXIT SIGN	SURFACE	L.E.D.	120V	W/ BATTERY BACKUP

LOADCENTER 'LG' (EXISTING)						
RATED VOLTAGE	120/240V, 1 PHASE, 3 WIRE	LOCATION	LIFEGUARD OFFICE			
RATED AMPS	125	MOUNTING	SURFACE			
MAIN	EXISTING	FEEDER CONDUCTORS	EXISTING			
BRANCH POLES	20	FEEDING CONDUIT	EXISTING			
BRANCH DEVICES	PLUG-ON	MANUF. CAT. NO.	CUTLER HAMMER			
BUS AMPS	DESCRIPTION	BREAKER TRIP POLE	CIR. NUM.	BREAKER POLE/TRIP	DESCRIPTION	BUS AMPS
EX.	LIFT STATION (EXIST.)	30 2	1 2	2 100	BACKFEED MAIN BREAKER	-
EX.			3 4			-
6	AIR HANDLER UNITS	20 2	5 6	1 20	RAMP STEP LIGHTS	2
6			7 8	1 20	LIGHTS - INTERIOR	5
23	A/C CONDENSER UNIT	30 2	9 10	1 20	G.F.I. RECEPT.	3
23			11 12	1 20	G.F.I. RECEPT.	3
16	WATER HEATER	25 1	13 14	1 20	G.F.I. RECEPT.	2
-	SPARE	-	15 16	1 20	G.F.I. RECEPT.	EX.
-	SPACE	-	17 18	1 15	EX. CKT.	EX.
-	SPACE	-	19 20	1 15	EX. CKT.	EX.

TOTAL AMPS - BUS A 52+EX. BUS B 37+EX.  
CONNECTED KVA 8.9 + EX. GROUND BUS IS REQUIRED  
INTERRUPTING RATING TO MATCH EXISTING KEYED DOOR LATCH IS NOT REQUIRED  
FEED TO BE EXISTING TO REMAIN

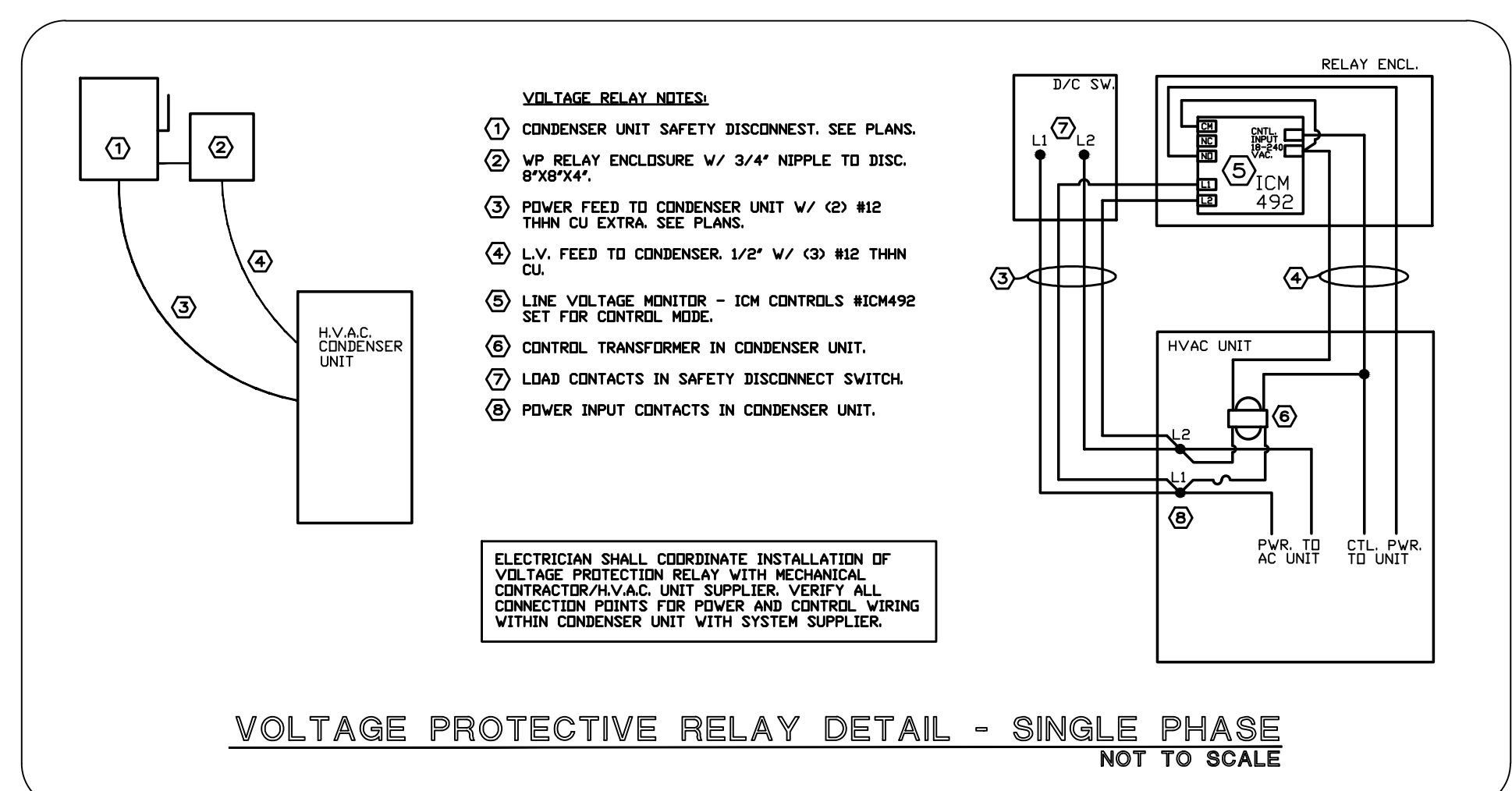
- ELECTRIC KEYNOTES:**
- THE EXISTING ELECTRICAL SERVICE AND LOADCENTER SHALL REMAIN. ADD OR REMOVE BRANCH CIRCUIT BREAKERS AS INDICATED OR REQUIRED TO ACCOMMODATE THE SPECIFIED ELECTRICAL REVISIONS.
  - ALL SURFACE MOUNTED CONDUIT SHALL BE SCHEDULE 80 PVC CONDUIT. ALL FASTENERS AND MOUNTING STRAPS SHALL BE CORROSION RESISTANT PLASTIC OR STAINLESS STEEL.
  - EXHAUST FANS MOUNTED ON EXTERIOR OF BUILDING SHALL BE FURNISHED WITH A DOUBLE-GANG FS-TYPE BOX WITH WEATHERPROOF COVER. FURNISH AND INSTALL A SAFETY DISCONNECT TOGGLE SWITCH AND THE FAN SPEED CONTROL (FURNISHED WITH/BY FAN SUPPLIER). SPECIFY CARLON #2FSE/29U2VGM OR EQUAL. FANS SHALL BE CONNECTED TO THE OCCUPANCY CONTROLLED LIGHTING CIRCUITS LOCATED WITHIN THE RESPECTIVE INTERIOR SPACES SERVED BY THE FANS.
  - FURNISH AND INSTALL NON-METALLIC FUSED SAFETY DISCONNECT AND LINE-VOLTAGE MONITOR AT H.V.A.C. CONDENSER UNIT. SPECIFY LEVITON DS30-FAX WITH ACCESSORY HUB. FURNISH FUSES IN ACCORDANCE WITH HVAC MANUFACTURER'S NAMEPLATE RECOMMENDATIONS. SEE DETAIL.
  - FURNISH AND INSTALL 3/4" CONDUIT WITH PULL CORD FROM H.V.A.C. CONDENSER UNIT TO AIR HANDLER UNITS ON INTERIOR FOR CONTROL CABLING. CABLING SHALL BE INSTALLED BY MECHANICAL CONTRACTOR IN A DAISY CHAIN CONFIGURATION. ALL CONDUITS SHALL TERMINATE IN EITHER AN APPROVED JUNCTION BOX OR TO CONDUIT CONNECTION POINTS ON EQUIPMENT.
  - FURNISH AND INSTALL OCCUPANCY SENSOR CONTROLS FOR CORRIDOR, RESTROOM AND ENCLOSED SPACE LIGHTING CIRCUITS. SPECIFY WATSTOPPER LINE-VOLTAGE DUAL TECHNOLOGY SENSOR #DT-355 OR EQUIVALENT IN CEILING APPLICATIONS AND WATSTOPPER #DW-100 OR EQUIVALENT IN WALL SWITCH LOCATIONS. MAXIMUM TIME DELAY SHALL BE SET AT 15-MINUTES.
  - RETAIN EXISTING BRANCH CIRCUITS TO WIRING DEVICES (OUTLETS) TO REMAIN AND TO LIFT STATION TO THE SOUTH. VERIFY ALL EXISTING CIRCUITS TO REMAIN. COORDINATE WITH PANEL SCHEDULE.
  - FURNISH AND INSTALL ONE (1) 3/4" CONDUIT WITH PULL CORD FROM TELEPHONE DISTRIBUTION TO NORTH SIDE OF DOOR HEADER AS INDICATED. CAP FOR FUTURE USE.

LIGHT FIXTURE LEGEND	
SYMBOL	DESCRIPTION
	RECESSED FLUORESCENT FIXTURE - DIMENSIONS AS INDICATED
	SURFACE MOUNTED FLUORESCENT FIXTURE - DIMENSIONS AS INDICATED
	STRIP FLUORESCENT FIXTURE - LENGTHS AS INDICATED
	RECESSED DOWNLIGHT FIXTURE.
	RECESSED ADJUSTABLE FIXTURE - WALL MOUNT
	SURFACE MOUNTED LIGHT FIXTURE
	WALL MOUNTED LIGHT SCONCE FIXTURE
	CEILING MOUNTED PADDLE FAN. (RAYS = FAN W/ LIGHT KIT).
	LINEAR LIGHTING TRACK - LENGTH AS SHOWN.
	LINEAR UNDERCABINET LIGHT FIXTURE.
	EXHAUST FAN
	REMOTE TRANSFORMER FOR LOW-VOLTAGE LIGHT FIXTURES OR TRACK
L.V.	LOW-VOLTAGE LIGHT FIXTURE/TRACK.
V.P.	WET-LOCATION VAPOR-TIGHT LIGHT FIXTURE.
EM.	LIGHT FIXTURE WITH STANDBY POWER SOURCE.

WIRING DEVICES LEGEND	
SYMBOL	DESCRIPTION
S	SINGLE POLE LIGHT SWITCH - 20A., 120V.
S3	3-WAY LIGHT SWITCH - 20A., 120V.
S4	4-WAY LIGHT SWITCH - 20A., 120V.
S4	DOOR JAMB LIGHT SWITCH -
	LIGHTING DIMMER SWITCH - WATTAGE AS NOTED.
	REMOTE 3-WAY LIGHTING SWITCH FOR DIMMER SPEED CONTROL SWITCH FOR CEILING FAN
	HALF-SWITCHED FLOOR RECEPTACLE - 20A., 125V.
	DUPLEX RECEPTACLE - 20A., 125V.
	SIMPLEX RECEPTACLE - 20A., 125V.
	QUAD (DOUBLE DUPLEX) RECEPTACLE - 20A., 125V.
	HALF-SWITCHED DUPLEX RECEPTACLE - 20A., 125V.
	DUPLEX RECEPTACLE MTD. ABOVE COUNTER
	FLOORBOX WITH DUPLEX RECEPTACLE - 20A., 125V.
	30 A., 120/240V. POWER RECEPTACLE
	POWER RECEPTACLE - NEMA RATING AS NOTED.
	SURFACE MTD. PLUGMOLD - LENGTHS AS SHOWN.
I.G.	ISOLATED GROUND RECEPTACLE
G.F.I.	GROUND FAULT (G.F.C.I.) PROTECTED RECEPTACLE
W.P.	RECEPTACLE WITH IN-USE WEATHERPROOF COVER.
DED.	RECEPTACLE ON DEDICATED BRANCH CIRCUIT.
G	GENERAL USE RECEPTACLE - TAMPER PROOF.
C	RECESSED CLOCK RECEPTACLE.
A.F.I.	ARC FAULT (A.F.C.I.) PROTECTED RECEPTACLE.
SPD	SURGE (T.V.S.S.) PROTECTED RECEPTACLE.
B	RECEPTACLE MOUNTED HORIZONTALLY IN BASEBOARD.

NOT ALL DEVICES ARE USED ON EVERY PROJECT.

BRANCH CIRCUITING LEGEND:	
SYMBOL	DESCRIPTION
	CONDUIT/CIRCUIT CONCEALED IN WALL OR CEILING.
	CONDUIT UNDER FLOOR OR BELOW GRADE.
	CONDUIT/CIRCUIT EXPOSED TO VIEW.
<b>BRANCH CIRCUIT HOMERUN DESIGNATION</b>	
	BRANCH PANEL & CIRCUIT BREAKER SLOTS
	CONDUIT & CONDUCTOR SIZE FOR HOMERUN
<b>CIRCUIT CONDUCTORS DESIGNATION</b>	
	NEUTRAL CONDUCTOR(S)
	EQUIPMENT GROUNDING CONDUCTOR (TBL. 250-122)
	LINE VOLTAGE CONDUCTORS (LINE, LOAD, SWITCH LEGS, TRAVELERS, ETC.)



VOLTAGE PROTECTIVE RELAY DETAIL - SINGLE PHASE NOT TO SCALE

VERIFY ALL LIGHT FIXTURE TYPES AND LOCATIONS WITH LIGHT FIXTURE SCHEDULE AND/OR OWNER SPECIFIED LIGHTING PACKAGE.

**TEELE & ASSOCIATES**  
CONSULTING ENGINEERS  
3884 EVANS ROAD  
DELRAY BEACH, FLORIDA 33445 (561) 455-2438  
CERT. OF AUTH. NO. 28712

MICHAEL A. TEELE, P.E.  
ENGINEER OF RECORD  
FLORIDA REGISTRATION  
P.E. 32066



**BRIDGES MARSH & ASSOCIATES, INC.**  
CHARTERED ARCHITECTS  
Eighteen Via Mizner  
Palm Beach, Florida 33480  
Phone: (561) 832 1533  
Fax: (561) 832 1520

CONSULTANT

SEAL

TOWN OF PALM BEACH  
MID-TOWN RESTROOMS

ELECTRICAL FLOOR PLAN

21129 JOB NO.

NOTE: ALL DRAWINGS FOR THIS PROJECT ARE TO BE READ IN CONJUNCTION WITH EACH OTHER. THESE INCLUDE, BUT ARE NOT LIMITED TO: ARCHITECTURAL, MECHANICAL, ELECTRICAL, SPECIALTY DRAWINGS, AND WRITTEN SPECIFICATIONS.  
CONTRACTOR TO VERIFY ALL EXISTING SITE CONDITIONS AND THOROUGHLY CHECK ELEVATIONS AND DIMENSIONS BEFORE COMMENCING WORK. ANY DISCREPANCIES, ERRORS OR OMISSIONS THAT WILL ALTER CONSTRUCTION AS INTENDED BY THESE DRAWINGS ARCHITECT IS NOT RESPONSIBLE FOR ANY WORK AND/OR MATERIALS FURNISHED ON THE JOB.

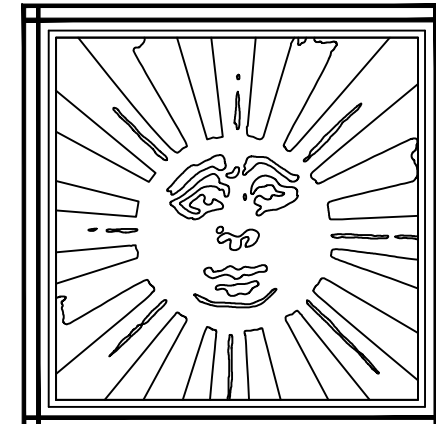
1	6
2	7
3	8
4	9
5	10

1/4" = 1'-0" SCALE

3/28/12 FOR PROJECTION  
MM CHK. DRWG

E1.1 DIM. NO.

DATE:



**BRIDGES MARSH & ASSOCIATES, INC.**  
 CHARTERED ARCHITECTS  
 Eighteen Via Mizner  
 Palm Beach, Florida 33480  
 Phone: (561) 832 1533  
 Fax: (561) 832 1520

CONSULTANT

SEAL

TOWN OF  
 PALM BEACH  
 MID-TOWN  
 RESTROOMS  
 PALM BEACH  
 FLORIDA

MECHANICAL  
 PLAN  
 DRAWING

21129  
 JOB NO.

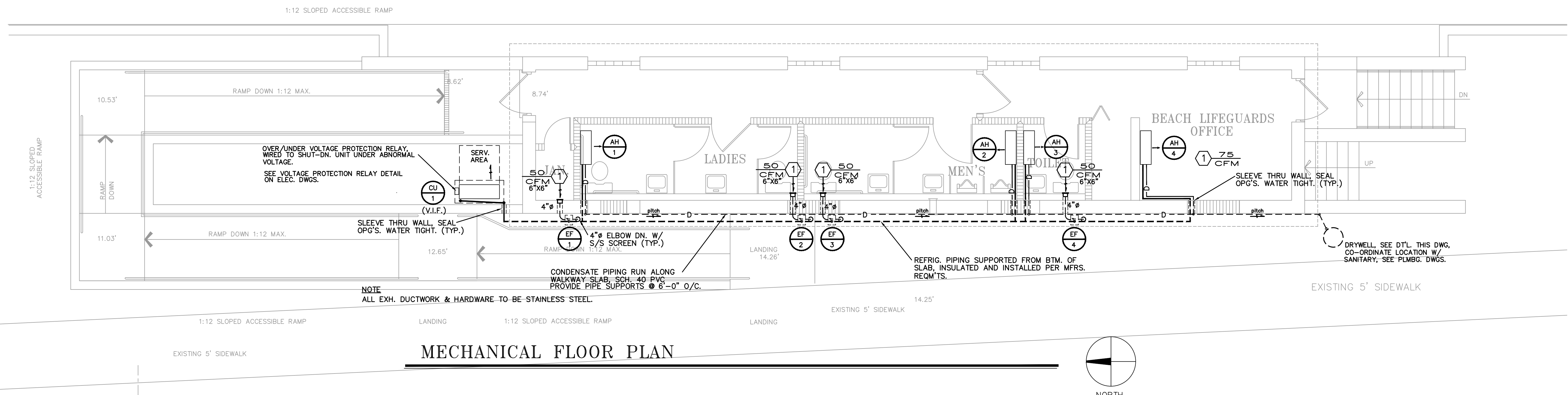
NOTE: ALL DRAWINGS FOR THIS PROJECT ARE TO BE READ IN CONJUNCTION WITH EACH OTHER. THESE INCLUDE, BUT ARE NOT LIMITED TO: ARCHITECTURAL, SURVEYING, STRUCTURAL, CIVIL, MECHANICAL, ELECTRICAL, SPECIALTY DRAWINGS AND WRITTEN SPECIFICATIONS.  
 CONTRACTOR TO VERIFY ALL EXISTING SITE CONDITIONS AND THOROUGHLY CHECK ELEVATIONS AND DIMENSIONS BEFORE COMMENCING WORK. REPORT TO THE ARCHITECT ENGINEER ANY DISCREPANCIES, ERRORS OR CONDITIONS THAT WILL ALTER CONSTRUCTION AS INTENDED BY THESE DRAWINGS. ARCHITECT IS NOT RESPONSIBLE FOR ANY WORK AND/OR MATERIALS FURNISHED ON THE JOB.

1	6
2	7
3	8
4	9
5	10

1/4" = 1'-0"  
 SCALE

3/26/12 DATE  
 G.S. M.T. CHK/DRAWN

M1.1  
 DWG. NO.



**MECHANICAL FLOOR PLAN**

FAN SCHEDULE									
UNIT NO.	MFGR. MODEL NUMBER	CFM	SP	RPM	WATTS	ELECTRIC REQ.		REMARKS	
						VOLT	PHASE		
EF-1	FANTECH - FR100	50	0.20	2865	0.45	120	1	1,2,3,	
EF-1	FANTECH - FR100	50	0.20	2865	0.45	120	1	1,2,3,	
EF-1	FANTECH - FR100	50	0.20	2865	0.45	120	1	1,2,3,	
EF-1	FANTECH - FR100	50	0.20	2865	0.45	120	1	1,2,3,	

NOTE:  
 1. HANGING VIBRATION ISOLATORS  
 2. BACKDRAFT DPR.

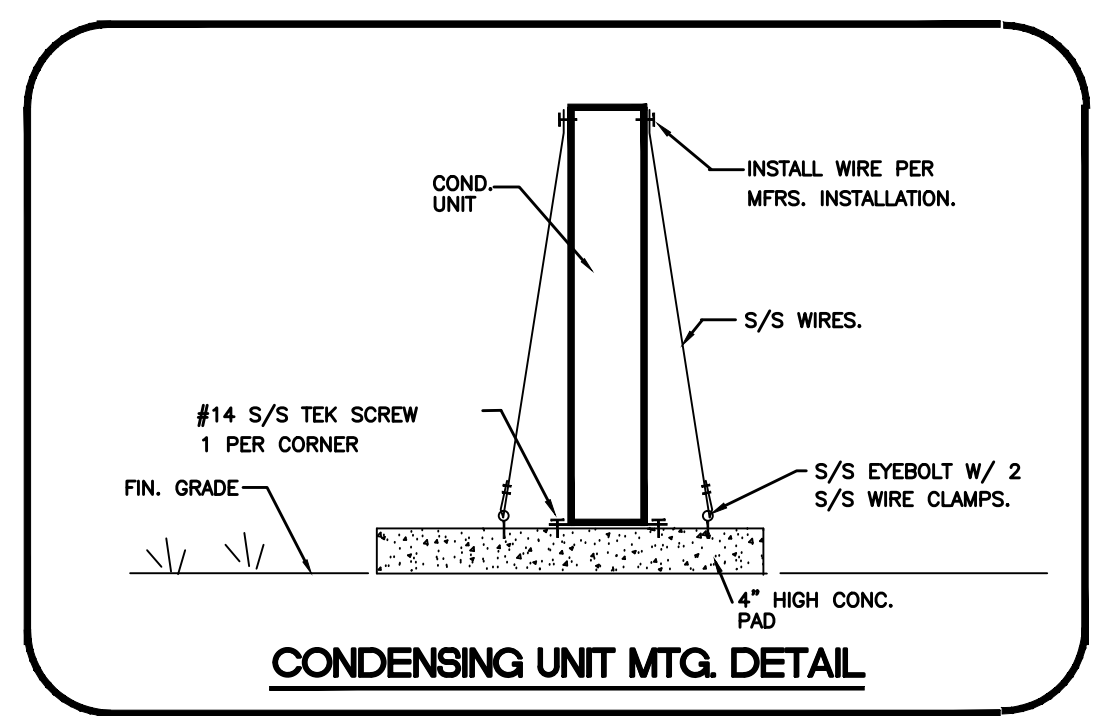
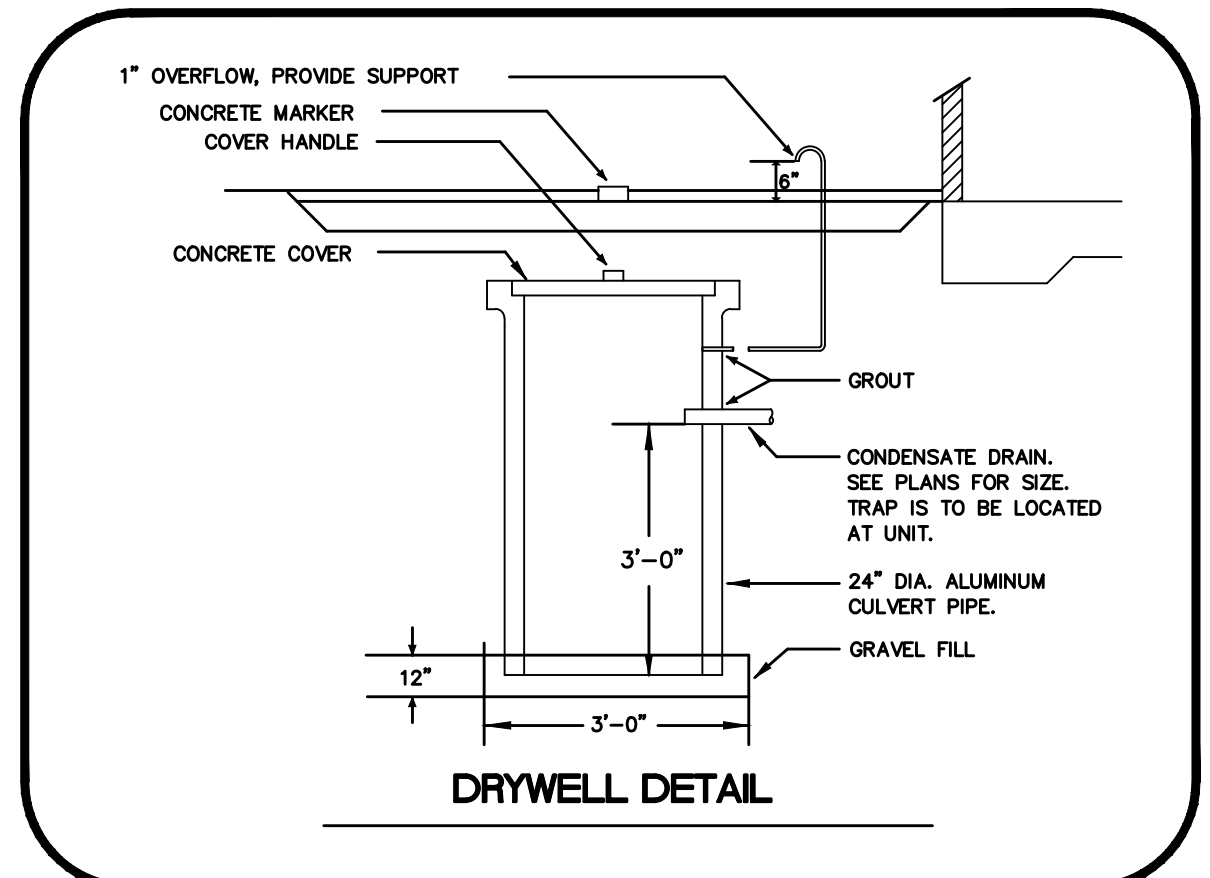
AIR HANDLING UNIT SCHEDULE													
SYS. NO.	CU. NO.	MFGR. MODEL NUMBER	UNIT CAPACITY		ZONE CAPACITY		FAN CFM	HEAT H.P.	ELEC. REQ. VOLT	ELEC. REQ. PHASE	SEER	DIMENSIONS	LOCATION
			TOTAL	SENS	TOTAL	SENS							
AH1	CU1	MSZ - FE09NA-8	9.0	6.75	-	-	307	-	240	1	23.0	31" X 10" X 11.5"	LADIES ROOM
AH2	CU1	MSZ - FE09NA-8	9.0	6.75	-	-	307	-	240	1	23.0	31" X 10" X 11.5"	MENS ROOM
AH3	CU1	MSZ - FE09NA-8	9.0	6.75	-	-	307	-	240	1	23.0	31" X 10" X 11.5"	TOILET ROOM
AH4	CU1	MSZ - FE09NA-8	9.0	6.75	-	-	307	-	240	1	23.0	31" X 10" X 11.5"	LIFEGUARD OFFICE

NOTES:  
 ALL SUPPLY AIR UNITS TO HAVE ONE (1) POINT ELECTRICAL CONNECTION AND INTEGRAL DISCONNECTS.

GRILLE AND DIFFUSER SCHEDULE						
DESIGN.	MFGR. MODEL NUMBER	SIZE	DIRECTION	TYPE	FINISH	REMARKS
1	TITUS - 4FL	SEE PLAN	SEE PLAN	4	WHITE	EXHAUST SIDEWALL

CONDENSING UNIT SCHEDULE											
CU. NO.	SYS. NO.	MFGR. MODEL NUMBER	COMPRESSOR		COND. FAN		BRANCH CIR. MCA / MOCP	ELECTRIC REQ.		SIZE	DIMENSIONS
			NO.	FLA (EA)	NO.	FLA (EA)		VOLT	PHASE		
1	1,2,3,4	MXZ - 4B36NA-1	1	-	1	-	23 / 25	240	1	3.0 T	13" X 35" X 35"

NOTE:  
 ALL A/C CONDENSER UNITS AND AHU COILS TO HAVE CORROSION PROTECTION INHIBITOR SYSTEM APPLIED BY AN INDEPENDENT COMPANY REGULARLY ENGAGED IN THE BUSINESS OF APPLYING CORROSION CONTROL PRODUCTS. APPLICATION OF PRODUCTS TO FOLLOW MANUFACTURERS APPLICATION GUIDELINES.  
 APPROVED PRODUCTS:  
 BENJAMN-MOORE CM74/M75 (CALIPHATIC ACRYLIC)  
 ADSL INC. MICROGUARD AD35/AD40  
 APPROVED APPLICATORS:  
 CORROSIVE SOLUTIONS, INC. (561) 752-9179 TRAVIS DARSCH.  
 CONTRACTOR TO SUBMIT DOCUMENTATION OF COMPLIANCE PRIOR TO DELIVERY OF EQUIPMENT TO THE JOB SITE.  
 VARIABLE REFRIGERANT FLOW SYSTEM EQUIPMENT SHALL BE WARRANTED BY THE MANUFACTURER'S LIMITED WARRANTY FOR A PERIOD OF (7) YEARS DATE OF INSTALLATION. AN EXTENDED WARRANTY OF 2 YEARS PARTS AND 6 YEARS COMPRESSOR AND COIL SHALL BE GRANTED UPON SUBMISSION TO THE MANUFACTURER AND ACCEPTANCE BY THE MANUFACTURER OF PROPER INSTALLATION WITH DOCUMENTATION INCLUDING: SELECTION OUTPUT AND LAYOUT OF THE SYSTEM (ALL COMPONENTS) 180 MINUTES OF OPERATIONAL HISTORY UPON COMMISSIONING FROM THE VRF SERVICE TOOL COMPLETED COMMISSIONING REPORT BY THE EQUIPMENT MANUFACTURERS SERVICE DEPARTMENT.  
 DURING THE COMMISSIONING PERIOD, ANY PART NOT FUNCTIONING PROPERLY SHALL BE REPAIRED/REPLACED AT THE MANUFACTURERS DISCRETION.  
 THE VARIABLE REFRIGERANT FLOW SYSTEM SHALL BE INSTALLED BY AN INSTALLER TRAINED AND CERTIFIED BY THE EQUIPMENT MANUFACTURER. INSTALLATION AND COMMISSIONING TRAINING SHALL BE REQUIRED BY THE EQUIPMENT MANUFACTURER. CONTRACTOR TO SUPPLY SUFFICIENT DOCUMENTATION WITH ENGINEERED SHOP DRAWINGS FOR VERIFICATION, REVIEW AND APPROVAL BY THE ENGINEER PRIOR TO STARTING ANY EQUIPMENT INSTALLATION.



MECHANICAL  
 ALL A/C CONDENSER UNITS TO HAVE CORROSION PROTECTION INHIBITOR SYSTEM APPLIED BY AN INDEPENDENT COMPANY REGULARLY ENGAGED IN THE BUSINESS OF CORROSION CONTROL PRODUCT APPLICATION. APPLICATION OF PRODUCTS TO FOLLOW MANUFACTURER'S APPLICATION GUIDELINES.  
 APPROVED PRODUCTS:  
 BENJAMN-MOORE CM74-M75 (CALIPHATIC ACRYLIC)  
 ADSL INC. MICROGUARD AD35/AD40  
 APPROVED APPLICATORS:  
 CORROSIVE SOLUTIONS, INC. (561) 752 9179 TRAVIS DARSCH

**TEELE & ASSOCIATES**  
 CONSULTING ENGINEERS  
 3894 EVANS ROAD  
 DELRAY BEACH, FLORIDA 33446 (561) 455-2438  
 CERT. OF AUTH. NO. 28712

MICHAEL A. TEELE, P.E.  
 ENGINEER OF RECORD  
 FLORIDA REGISTRATION  
 P.E. 32065

DATE:

<p><b>SECTION 15000- HVAC, GENERAL</b></p> <p><b>PART 1 - GENERAL</b></p> <p>1.01 DESCRIPTION</p> <p>A. This section applies to and governs all mechanical sections.  B. Refer to other Divisions for continuation of Exterior and allied work.  C. Field painting is specified in another division.</p> <p>1.02 WORK INCLUDED</p> <p>A. Work under this division includes, but is not necessary limited to:  15000 General HVAC Specifications  15005 Operation and Maintenance Manuals  15651 Refrigerant Piping  15805 Insulation and Condensate Piping</p> <p>1.03 QUALITY ASSURANCE, CODES, ORDINANCES AND REGULATIONS</p> <p>A. All work shall comply with governing codes, ordinances, and regulations of City, County and State having jurisdiction, and the National Electrical Code, Plumbing Code, and requirements of Board of Health.</p> <p>B. Industry Standards and Codes: unless modified by these specifications, the design, manufacture, testing and method of installing all materials, apparatus and equipment shall conform to latest adopted editions of the following:  1. 2007 Uniform Florida Building Code, Mechanical  2. 2007 Uniform Florida Building Code, Plumbing  3. 2008 National Electrical Code</p> <p>1.04 PERMITS &amp; FEES</p> <p>A. Obtain and pay for all permits, inspections and connection fees required by governing bodies in connection with the work. Deliver Certificates of Inspection to the Architect/Engineer.</p> <p>1.05 SUBMITTALS</p> <p>A. Shop Drawings: Submit all materials, products, equipment and systems as specified under each HVAC Section in this Division in accordance with the General Conditions.</p> <p>B. Operation and Maintenance Certification: Submit copies in compliance with Section, OPERATION AND MAINTENANCE MANUALS.</p> <p>1.06 JOB CONDITIONS</p> <p>A. Protect materials, apparatus and equipment from damage, moisture, dirt, debris and work of other trades.  B. Use of paper, cardboard or other flimsy material will not be permitted. Replace damaged protective materials immediately. Do not install damaged materials and equipment; remove from the site.</p>	<p>1.07 RECORD DOCUMENTS</p> <p>A. As-built drawings shall be delivered to the owner prior to final inspection</p> <p>1.08 GUARANTEE AND SERVICE</p> <p>A. Refer to General Conditions for Guarantees.</p> <p><b>PART 2</b></p> <p>2.01 GENERAL</p> <p>A. All materials and equipment shall be new. Systems shall be provided complete, and each system as a whole, and in all its part, shall function correctly up to the specified capacity. Should a system, or any part thereof fail to meet performance requirements, necessary replacements, alterations or repairs, as required by the Architect/Engineer, shall be made to bring performance up to specified requirements and all building construction and finishes damaged or marred by such replacements, alterations or repairs shall be restored to prior condition, at no additional cost to the Owner.</p> <p>B. Where multiple items of equipment or materials are required they shall be the product of a single manufacturer.</p> <p>C. Before ordering any equipment, the size of all equipment shall be checked to easily fit spaces allotted on the drawings.</p> <p>D. Inserts, pipe sleeves, supports and anchorage of air conditioning equipment shall be provided as specified herein. Where such items are to be set or embedded in concrete similar work, the items shall be furnished and layout made at the proper time for the setting or embedment thereof so as to cause no delay in the work.</p> <p>E. Piping assemblies of equipment shown on the drawings are diagrammatic. All piping and appurtenances required for the proper operation of all equipment shall be provided.</p> <p>2.02 MANUFACTURERS' NAMES AND CATALOG NUMBERS</p> <p>A. Specific references have been made to one or more manufacturers' names and model or catalog numbers.</p> <p>B. This does not indicate that the material and equipment specified is necessarily an "off the shelf" item; requirements of specific finishes, materials or other modifications may introduce variances from manufacturers' names and model or catalog numbers.</p> <p>2.03 DIAGRAMS, NAMEPLATES AND LABELS</p> <p>A. Each major component of equipment shall have the manufacturers' name, address and catalog number designation, and location of each piece of equipment, valve, and control device.</p> <p><b>PART 3 - EXECUTION</b></p> <p>3.01 INSTALLATION AND WORKMANSHIP</p> <p>A. The work shall be performed by qualified mechanics and all materials, apparatus and equipment shall be installed in neat, workmanlike manner. Any material, apparatus or equipment which, in the opinion of the Architect/Engineer, is improperly installed shall be removed and reinstalled in an approved manner at no additional cost to the Owner.</p>	<p>B. The work shall be coordinated with the work of other trades. Where the work is dependent upon work of other trades or work already in place, such other work and work in place shall be examined and shall be in proper condition and state of completion before continuing the installation.</p> <p>C. The installation of the systems shall, in general, be in accordance with the drawings with regards to location of equipment, ducts, pipes, and the like. Piping and ductwork indicated shall be followed as accurately as actual construction will permit and any deviations therefrom shall be called to the attention of the Architect/Engineer. Where necessary, as determined by the Architect/Engineer, Contractor shall furnish drawings showing proposed changes.</p> <p>3.02 EARTHWORK AND DEWATERING</p> <p>A. Contractor is to provide all excavation for his installation.</p> <p>3.03 CUTTING AND PATCHING</p> <p>A. Layout opening for cutting by other trades as required.</p> <p>B. Cutting of steel, concrete or any other structural part must be approved in writing by Architect/Engineer prior to cutting.</p> <p>3.04 WATERPROOFING</p> <p>A. Do not cut or penetrate waterproofed surfaces or waterproofing membranes, without first making arrangements for repair by a method approved by the Architect/Engineer.</p> <p>3.05 ELECTRICAL WORK</p> <p>A. Power wiring from panels to motor controllers and from controllers to motors is specified in Division 16.</p> <p>C. Submit Wiring diagrams for approval and provide diagrams so that the electrical work may be properly accomplished.</p> <p>D. Electrical control wiring for connection of temperature controllers, push buttons, interlocks in motor controllers, pneumatic switches and like items is to be furnished and installed under Division 15.</p> <p>E. Furnish all equipment with complete internal control wiring.</p> <p>3.06 SUPPORTS FOR PIPING AND EQUIPMENT</p> <p>A. Shall be supported from structural members and not from metal deck and slab assemblies.</p> <p>3.08 CLEAN UP</p> <p>A. Refer to general Conditions for cleaning-up.</p> <p>B. Clean all materials and equipment of dirt, paint, sports and stains, soil marks and other foreign matter.</p>	<p>3.09 FINAL INSPECTION</p> <p>A. With notice to the Architect/engineer that the work is ready for final inspection, the Contractor shall:  1. Submit test and balance report and complete requirements as noted.  2. Submit letter from control manufacturer certifying that controls have been checked for operation and calibration and that system is operating as intended.</p> <p>B. Contractor shall furnish necessary mechanics to operate system, make necessary adjustments and assist with final inspection.</p> <p>3.10 INSTRUCTION OF OWNER'S OPERATING PERSONNEL</p> <p>A. The Contractor shall include the cost of the services of qualified instructor(s) to instruct the Owner's operating personnel in the operation, adjustment, care and maintenance of all HVAC equipment and systems.</p> <p>B. Instruction shall be performed at a time approved by the Owner after all HVAC equipment and systems are installed, complete, adjusted and operating to specified requirements. Contractor shall notify the Architect/Engineer when instructions will be given.</p> <p>C. Qualification of instructor(s) shall be subject to approval of the Owner and equipment manufacturer.</p> <p>D. Additional requirements concerning operation and maintenance of mechanical equipment and systems any be specified in other sections.</p> <p>E. Two copies of acknowledgement of all required instructions to Owner's operating personnel, signed by the Owner or his authorized representative, shall be submitted to the Architect/Engineer prior to submitting application for final payment. An additional copy of this acknowledgement is required in each copy of Operation and Maintenance Manuals required in the Section, OPERATION AND MAINTENANCE MANUALS.</p> <p>SECTION END</p>
---	---	---	--



**BRIDGES MARSH & ASSOCIATES, INC.**  
**CHARTERED ARCHITECTS**  
Eighteen Via Mizner  
Palm Beach, Florida 33480  
Phone: (561) 832 1533  
Fax: (561) 832 1520

CONSULTANT

SEAL

**TOWN OF PALM BEACH**  
**MID-TOWN RESTROOMS**  
JOB NO.  
PALM BEACH  
FLORIDA

MECHANICAL SPECIFICATIONS PLAN  
DRAWING

21129  
JOB NO.

NOTE:  
ALL DRAWINGS FOR THIS PROJECT ARE TO BE READ IN CONJUNCTION WITH EACH OTHER. THESE INCLUDE, BUT ARE NOT LIMITED TO: ARCHITECTURAL, SURVEYING, STRUCTURAL, CIVIL, MECHANICAL, ELECTRICAL, SPECIALTY DRAWINGS AND WRITTEN SPECIFICATIONS.

CONTRACTOR TO VERIFY ALL EXISTING SITE CONDITIONS AND THOROUGHLY CHECK ELEVATIONS AND DIMENSIONS BEFORE COMMENCING WORK. REPORT TO THE ARCHITECT ENGINEER ANY DISCREPANCIES, ERRORS OR CONDITIONS THAT WILL ALTER CONSTRUCTION AS INTENDED BY THESE DRAWINGS. ARCHITECT IS NOT RESPONSIBLE FOR ANY WORK AND/OR MATERIALS FURNISHED ON THE JOB.

REVISIONS	1	6
	2	7
	3	8
	4	9
	5	10

NO SCALE  
SCALE

MICHAEL A. TEELE, P.E.  
ENGINEER OF RECORD  
FLORIDA REGISTRATION  
P.E. 32056

3/26/12 DATE  
G.S. M.T. CHK/DRAWN

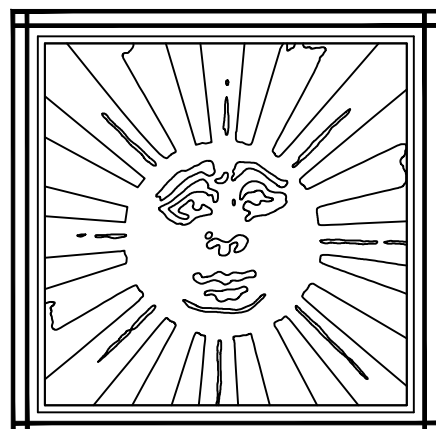
**TEELE & ASSOCIATES**  
CONSULTING ENGINEERS  
3894 EVANS ROAD  
DELRAY BEACH, FLORIDA 33446 (561) 455-2438  
CERT. OF AUTH. NO. 28712

DATE:

M2.1  
DWG. NO.



SECTION 16000- ELECTRICAL GENERAL SPECIFICATIONS		SECTION 1610- WIRING DEVICES	
<b>PART 1 - GENERAL</b> <b>1.01 DESCRIPTION</b> A. All electrical work and specified associated work in Section 16010 through 16999 are generally covered by this section. The work covered in this section consists of furnishing and installing all materials required for the installation of the complete electrical systems as shown on the drawings or hereinafter specified. B. This section does not provide for electric motors, telephone wires and instruments, except where specifically shown on the electrical drawings. C. Requirements of General Conditions, Supplementary Conditions and Division 1 of this Specification apply to work of this Division. They shall be as binding as if set forth at length herein. D. Except where portions of these specifications are more exacting, work of this division shall comply with all applicable provisions of the general scope of work. E. This work shall be executed in an orderly and careful manner and shall conform to accepted AIA standards. F. Related documents that require electrical coordination include, but are not limited to: 1. Division 2, Site Work 2. Division 9, Painting 3. Division 11, Equipment 4. Division 15, Special Equipment 5. Division 15, Mechanical <b>1.02 WORK INCLUDED</b> A. Work under this division includes, but is not necessarily limited to: 16000Electrical General Specifications 16100Electrical Raceways 16120Cable, Wire and Connectors 16130Electrical Boxes and Fittings 16140Wiring Devices 16170Safety and Disconnect Switches 16500Lighting Fixtures <b>1.03 CODES, ORDINANCES AND REGULATIONS</b> A. All work shall comply with governing codes, ordinances, and regulations of State, County and Local Municipalities which have jurisdiction. B. Codes and Standards: Unless modified by these specifications, the design, manufacture, testing, and method of installation shall conform to the latest adopted editions of the following: 1. NFPA-70, National Electrical Code 2. National Electrical Safety Code 3. NFPA-101, Life Safety Code 4. NEMA, National Electrical Manufacturer's Association 5. ANSI A117.1, Handicapped Accessibility Code 6. OSHA, Standards of the Occupational, Safety and Health Administration 7. 2007 Florida Building Code (All Sections) with Amendments C. Where any of the above is at variance with the drawings and specifications, the code requirements shall take precedence and any cost necessary to meet these shall be included in the contract. Drawings are schematic and do not necessarily indicate individual code compliance. Contractor shall provide all necessary items to comply with the above codes within the scope of the contract. D. This contractor is assumed to be skilled in the trade and is solely responsible for compliance with OSHA regulations, performing the work in a safe and competent manner and in installation procedures required for this work. All supervision assigned to this project shall be experienced in this type of work. This contractor's superintendent shall be designated as Safety Inspector, unless the contractor designates another person and notifies the engineer of this change. <b>1.04 PERMITS</b> A. Contractor is to obtain and pay for all permits, licenses, inspections, and connection fees required by governing bodies in connection with their work. <b>1.05 INSPECTION</b> A. Before submitting bid, contractor shall visit the site, examine the complete document set with all specifications to fully understand all of the conditions relating to this work. No allowance or consideration will be made for the lack of knowledge of materials to be furnished, work to be done, existing conditions, code requirements, or conditions with which to be complied. B. Examine surfaces to which work under this division will be contiguous. Notify Architect/Engineer, in writing, of visible or latent defects which would prevent proper installation of work under this division. Commencement of work shall be construed as acceptance of such surfaces. <b>1.06 QUALITY CRITERIA</b> A. All materials used in this work shall be new and listed and labeled by Underwriters Laboratories, as conforming to its standards, where such a standard has been established for the particular type of material in question. Materials that are not listed by UL, as a category, shall be provided with test data as required. B. All work shall be executed in a workmanlike manner and shall present a neat and mechanical appearance when completed. <b>1.07 DRAWINGS</b> A. Subcontractor should examine structural, mechanical, and electrical drawings prior to submitting bid. Subcontractor will be required to furnish, install, and connect, with appropriate services, indicated items without additional expense to owner. Architect/Engineer shall be notified of discrepancies, omissions, conflicts, or interferences which occur between drawings or between drawings and specifications. If such notification is received in adequate time, additional data or changes will be issued by addendum to all bidders. If notification is not received, it is implied that additional costs will not be incurred. B. Structural drawings shall take precedence over electrical drawings with reference to construction. Electrical drawings are diagrammatic but shall be followed as closely as actual construction and work by other trades will permit. Necessary changes in spacing and location of lighting fixtures, panelboards, cabinets, wiring devices, and other items of equipment may be made provided the overall patterns and layouts are not altered and remain uniform. Location of devices, fixtures, etc. will be coordinated with Architectural elevations and reflected ceiling plans. C. Changes from drawings necessary to make the work of subcontractors easier, will be done at their own expense. D. The contractor is to maintain (1) set of reproducible drawings. These drawings shall indicate any deviations to the construction documents and provide dimensions of critical equipment location. Changes shall be made with non-erasable media. As-built drawings shall be delivered to the owner prior to final inspection. Final as-builts will be provided on electronic media, AutoCAD Version 2010. <b>1.08 CLAIMS FOR EXTRA WORK</b> A. Claims for "EXTRAS" or additions to contract shall be made in writing by each subcontractor and submitted to Architect for approval. No claims for "EXTRA WORK" will be allowed unless authorization has been obtained in writing from Architect. B. Should contractor or his subcontractors start work without receiving approval in writing from Architect, it will be construed as acceptance by them that such work is approved under their contract, and no further claim for an "EXTRA" will be considered or allowed by Architect. Compensation for "EXTRA" work will be as indicated in the General Conditions. Claim submittal must include material invoice copies and labor rates for specific extra claimed. No payment will be made without substantiation. <b>1.09 DEFINITIONS</b> A. Provide - Contractor is to supply, furnish and install a complete and operating item or system. B. Wiring - wire or cable, installed in raceway with all required boxes, fittings, connectors and accessories completely installed. C. Work - the materials completely installed, including the labor involved. D. Plans - shall be understood to mean the complete set, including all trades. E. Specifications - the complete documents, including all sections, addendums, etc. F. Review of Shop Drawings - The Architect's/Engineer's review shall not change the requirements of the contract documents nor shall this review relieve the contractor of errors in the shop drawings. In the event there are deviations between the shop drawings and the contract documents, the contract shall apply. G. Power Wiring - the wiring to any device or equipment served by a multi-pole breaker. H. Control Wiring - the wiring which has as its load, the operating coil of a magnetic starter, contractor or relay. <b>1.10 MAINTENANCE DATA AND OPERATIONAL MANUALS</b> A. Provide three complete bound sets of all maintenance data and operational manuals. These are to be transmitted to the owner upon completion of the project. Service manuals shall contain but not be limited to the following: 1. Title sheet with job name, and the names, addresses and phone numbers of the Contractor, subcontractor, control subcontractor, related contractor and material and equipment suppliers. 2. Index of contents. 3. A copy of acknowledgement of instruction to the Owner's operating personnel in the operation of all electrical equipment and systems, signed by the Owner or his authorized representative. 4. Typewritten operating instructions for the Owner's operating personnel describing how to stop and start each piece of equipment; how to set the control system for normal operation and normal restarting procedures, and caution and warning notices. <b>3.04 EXCAVATING AND BACKFILLING</b> A. Provide all trenching, excavating, and backfilling required for the work indicated on the drawings. This shall include any and all dewatering required. <b>3.05 WATERPROOFING</b> A. Do not cut or penetrate waterproofed surfaces or waterproofing membranes, without first making arrangements for repair by a method approved by the Architect/Engineer. <b>3.06 ACCESS DOORS (Access Panels)</b> A. Provide access required for maintenance, adjustment, removal and repair of any and all electrical equipment and like items furnished hereunder. B. Provide access doors conforming to requirements of Section, Access Doors (Access Panels). Panels shall be located to make all items easily accessible. <b>3.07 RELATED ELECTRICAL WORK</b> A. Power wiring from panels to motor controllers and from controllers to motors is specified in this Division. B. The contract drawings indicate circuit breakers, starters, fuses, flexible and non-flexible disconnect switches, conduit and conductor sizes required for power feeds to mechanical equipment. These are representative only and are designed for a specific manufacturer and model chosen by the Mechanical Designer. If the Mechanical Contractor supplies equipment which differs in its electrical requirements, the Mechanical Contractor must coordinate with the Electrical Contractor to properly resize all power feeds and electrical equipment to match at no additional expense to Owner; new sizes must be submitted for approval. C. Mechanical equipment, motors and apparatus furnished by the Mechanical Contractor (including air conditioners with or without heating elements, pumps, compressors, fans, etc.) shall be supplied with starters, heaters and other power related items, unless otherwise noted. Such items shall be installed and connected by the Electrical Contractor. Disconnecting means and their protective devices (fuses, circuit breakers, etc.) shall be furnished and installed by the Electrical Contractor. D. Control devices for mechanical equipment, including all transducers, switches, thermostats, damper motors, control transformers, humidistats, etc., shall be provided by the Mechanical Contractor unless specifically shown otherwise on drawings or in these specifications. Installation of these devices, along with all required conduit and wire shall be furnished under Division 15. Submit control diagrams so proper coordination may be properly accomplished. <b>3.08 VIBRATION AND NOISE CONTROL</b> A. Excessive vibration or objectionable noise created in any part of building by operation of any equipment installed under this contract will not be permitted. Contractor shall isolate various items of equipment from building structure and take all steps that may be necessary to eliminate excessive vibration and objectionable noise produced by any equipment installed under this contract. <b>3.09 CLEANING AND ADJUSTMENTS</b> A. Upon completion of work, each subcontractor shall clean, oil, and grease fans, motors, and other running equipment and apparatus which he installs, and shall make certain such apparatus and mechanisms are in proper working order and ready for test. <b>3.10 ACCEPTANCE INSPECTION</b> A. Contractor shall read applicable sections of these specifications, and prepare and assemble required test reports, maintenance manuals, certificates, guarantees and letters of instruction. Contractor's representatives responsible for work under Division 16 shall be present at all acceptance inspections, and shall furnish required mechanics, tools, and ladders to assist in inspection. B. Prior to requesting final inspection, contractor shall clean, and where required, paint electrical equipment installed. Exposed conduits, exposed outlet boxes, surface panel cabinets, etc. shall be finished to match walls or ceilings. Cabinets, panels, panel covers, scratched or otherwise damaged shall be painted with factory supplied color - matched paint. Interiors of panelboards, switchboards and cabinets shall be vacuum cleaned, free of dust and debris. C. Provide a label for the electrical system stating "INSTALLATION BY" Name, Address, Phone # of Contractor Letters shall be 1/4 inch high and located in a conspicuous place in the main equipment room. D. List of items to be corrected as a result of acceptance inspection will be furnished to contractor. E. Notify Architect/Engineer in writing of items appearing on list for correction dispatched by contractor. When ready, request in writing a re-inspection of work. Should items appearing on acceptance inspection list remain uncorrected, additional inspections required to ascertain completion shall be paid by contractor at a cost of \$85.00 per hour. <b>3.11 INSTRUCTION OF OWNER'S OPERATING PERSONNEL</b> A. The Contractor shall include the cost of the services of qualified instructor(s) to instruct the Owner's operating personnel in the operation, adjustment, care and maintenance of all electrical equipment and systems. B. Instruction shall be performed at a time approved by the Owner after all the electrical equipment and systems are installed, complete, adjusted and operating to specified requirements. Contractor shall notify the Architect/Engineer when instructions will be given. C. Qualification of instructor(s) shall be subject to approval of the Owner and equipment manufacturer. D. Additional requirements concerning operation and maintenance of electrical equipment and systems may be specified in other sections. E. Two copies of acknowledgement of all required instructions to Owner's operating personnel, signed by the Owner or his authorized representative, shall be submitted to the Architect/Engineer prior to submitting application for final payment. An additional copy of this acknowledgement is required in each copy of Operation and Maintenance Manuals. 		<b>SECTION 1610 - CABLE, WIRE AND CONNECTORS</b> <b>PART 1 - GENERAL</b> <b>1.01 DESCRIPTION</b> A. The work covered in this section consists of furnishing and installing all materials required for the installation of a complete system of wiring. <b>1.02 QUALITY CRITERIA</b> A. Provide electrical cable, wire and connectors which have been listed and labeled by Underwriters Laboratories. <b>PART 2 - PRODUCTS</b> <b>2.01 POWER CONDUCTORS</b> A. Insulation: Type THHN/THWN for sizes no. 14 to 8 AWG. For conductors no. 6 and larger, insulation shall be THW or THWN. B. All feeder conductors or conductors below grade to be THW or THWN. C. Conductor material: copper, 98.5% conductivity D. No branch circuit conductors shall be smaller than No. 12, unless specifically indicated otherwise in the contract documents. E. Conductors No. 12 and smaller shall be solid; No. 10 and larger, stranded. F. Color Code: Phase A Black Phase B Red Neutral White Ground Green <b>2.02 TELEPHONE/DATA CONDUCTORS</b> A. Wiring to be home-run from each indicated outlet to the main distribution hub. Wiring to be 4-pair category 5. All terminations to be tested and certified as category 5. Final testing reports to be furnished with the owners manuals. <b>2.03 CONNECTORS</b> A. General: Provide factory-fabricated, metal connectors of the size, rating, material, type, and class as indicated for each service. Where not indicated, provide proper selection to comply with NEC standards. Select from only following types, classes, kind and styles. B. Splices: 1. Branch circuit and signal conductors up to No. 10 AWG - use "Scotchlok" connectors or equal. 2. Splices and joints made in conductors #8 AWG and larger shall be with copper compatible sleeves using indent method or "ILSCO" insulated power distribution block (or equal). 3. Re-insulate with half-lapped wrapping of vinyl tape equal to thickness of original insulation. 4. Use approved tags on all stranded conductors. 5. Use approved type epoxy sealed waterproofing kits for all underground splices or joints. Scotch 3576, 3577 and 3578 for splices #6 AWG and smaller, Scotch 82 Series for all others. 6. Splices are permitted in junction boxes only. 7. Splices are not permitted in service conductors. 8. All splices and terminals shall have a de-oxidizer compound applied. 9. Do not use insulation piercing connectors or push-in type connectors. <b>PART 3 - EXECUTION</b> <b>3.01 INSTALLATION</b> - Install electrical cable, wire and connectors in accordance with the manufacturer's written instructions, the applicable requirements of NEC and the National Electrical Contractors Association's "Standard of Installation," and in accordance with recognized industry practices to ensure that products serve the intended functions. Installation shall be executed in a manner that preserves the integrity and does not damage or reduce the longevity of either the conductors nor the raceways) they are installed within. Conductors shall be installed in a manner to minimize the required number of splices and/or taps. <b>3.02 FIELD QUALITY CONTROL</b> A. Prior to energizing, check cable and wire for continuity of circuitry, and for short circuits. B. Subsequent to wire and cable hookups, energize circuitry and demonstrate functioning in accordance with requirements. 	
<b>SECTION 1610 - ELECTRICAL RACEWAYS</b> <b>PART 1 - GENERAL</b> <b>1.01 DESCRIPTION</b> A. The work covered in this section consists of providing raceways and conduits complete with all required accessories, hangers, supports, connections and fittings necessary to make the system complete. <b>1.02 QUALITY CRITERIA</b> A. All conduits and raceways shall be of standard dimensions, smooth inside and out, and be UL listed. <b>1.03 JOB CONDITIONS</b> A. The conduit layout shown on the plans is diagrammatic only and where changes are necessary due to structural conditions, other apparatus, or other causes, such as changes shall be made without any additional cost to the owner. Offsets in conduits are not indicated and must be provided as required. <b>PART 2 - PRODUCTS</b> <b>2.01 RACEWAYS</b> A. Liquid-tight Flexible Conduit: 1. Provide liquid-tight flexible metal conduit consisting of non-metallic, sunlight resistant jacket for use in making up short flexible connection to rotating or vibrating equipment in damp or wet locations such as outside or in mechanical rooms where the potential for pipe leakage exists. 2. Provide bonding jumper. 3. Provide fittings for recommended use. 4. Carlon "Carflex" with matching fittings. B. Rigid Non-Metallic Conduit 1. Rigid non-metallic conduit and fittings shall be polyvinyl chloride (PVC) as manufactured by Carlon, Inc. or approved equal, Schedule 40 or 80 as required, and shall be approved for the purpose used. The conduit shall be homogeneous throughout and free from cracks, holes, foreign inclusions or other defects. The conduit shall be as uniform as commercially practical in color. The conduit shall meet all of the requirements of SDR (Standard Dimension Ratio) PVC conduit and shall conform in all respects to the Commercial Standards (CS207), and shall be sunlight resistant. 2. Fittings shall be of the same material as the conduit, and in no case shall have thinner walls than that of the conduit furnished. Preference will be given to the use of extruded fittings. 3. Provide ground conductor sized in accordance with the N.E.C. 4. Expansion fittings shall be installed as per manufacturer's recommendation. <b>PART 3 - EXECUTION</b> <b>3.01 APPLICATION</b> A. Schedule 80 PVC Conduit shall be used for all exposed work where subject to damage. All work exposed to the weather or a damp location service to be schedule 80 PVC. B. Schedule 40 PVC Conduit shall be used as a raceway system for underground service and all conduits embedded in concrete in contact with the earth. Plastic conduits are to be run up through the concrete slab. Connect motors and equipment subject to vibration with weatherproof flexible PVC "sealant" conduits. All flex shall have separate bond wire except fixture tails. C. Raceways for communications, alarm, control, and signal systems shall meet preceding specifications. <b>3.02 INSTALLATION</b> A. Wherever possible, install horizontal raceway runs above water piping. B. The conduit sizes shown on the plans may be increased to facilitate the pulling of cables. 		<b>SECTION 1610 - SAFETY AND DISCONNECT SWITCHES</b> <b>PART 1 - GENERAL</b> <b>1.01 DESCRIPTION</b> The work covered in this section consists of providing disconnect switches complete with all required accessories as indicated on the drawings and specified herein. <b>1.02 QUALITY CRITERIA</b> 1. Disconnect switches shall be manufactured in accordance with the latest NEMA and UL standards. 2. Manufacturer: Leviton as specified or approved equivalent. <b>1.03 SUBMITTALS</b> 1. Shop drawings shall indicate enclosure size, unit ratings and all information necessary to indicate compliance with plans and specifications. <b>PART 2 - PRODUCTS</b> <b>2.01 DISCONNECT SWITCHES</b> 1. Type: single throw, heavy duty, with quick-make, quick-break contacts and interlocking covers. They shall be fusible or non-fusible, 600 volt, 2- or 3-pole, except where noted or specified otherwise. 2. Enclosure: Provide NEMA 4X/12 corrosion resistant enclosures. 3. Non-fused disconnect switches shall be horsepower rated for the motor installed. 4. Switches with current limiting fuses shall have rejection clips. 5. Fuses: Provide 1/2" x 1/4" x 1/4" gcr 342X's qcr4's g' 3 " Rcp' 1qpy 'jg cndg'U'svcrg'F'4732'kgp'd Mount in 4" square box with industrial cover fry locations and a weatherproof box for damp locations. <b>PART 3 - EXECUTION</b> <b>3.01 INSTALLATION</b> 1. Provide an engraved phenolic nameplate for each switch as specified in other section; indicate voltage and equipment served. 2. Verify horsepower rating of disconnect switch with actual motor installed. 3. Mount on wall or backboard approximately 5' above the floor where possible. 	
<b>SECTION 1610 - ELECTRICAL BOXES AND FITTINGS</b> <b>PART 1 - GENERAL</b> <b>1.01 DESCRIPTION</b> A. The work covered in this section consists of furnishing and installing all materials required for the installation of all outlet boxes, junction boxes, pull boxes and covers. <b>1.02 QUALITY CRITERIA</b> A. Provide metallic boxes which have been listed and labeled by Underwriters Laboratories. <b>PART 2 - PRODUCTS</b> <b>2.01 OUTLET BOXES</b> A. Standard Outlet Boxes: Boxes and covers shall be heavy walled plastic (non-metallic) and in every instance of such form and dimensions as to be adapted to its specific use and location, kind of fixtures to be used, and number, size and arrangement of conduits concerning thereon. Contractor is to apply a field application of spray-on cold galvanized finish to protect boxes during construction. B. Junction Boxes: Junction boxes shall be provided with blank covers painted to match surroundings. C. Fittings: For outlets in exposed conduit, PVC type FS boxes and schedule 80 PVC fittings shall be provided. These shall be Carlon. D. Covers: Where outlet boxes are to be capped, blank coverplates shall be used. <b>PART 3 - EXECUTION</b> <b>3.01 INSTALLATION</b> A. Outlet boxes and junction boxes shall be mounted to structures and walls with corrosion resistant stainless steel anchor or molly bolts. B. Fittings designated as pull fittings shall be installed to facilitate pulling wiring as required by N.E.C. C. Provide weatherproof outlets for interior and exterior locations exposed to weather or moisture exposure. D. The edge of all outlet boxes shall be flush with the surface in which they are recessed. E. Cuts for outlet boxes shall be made so that the coverplate will completely cover the cut. F. Each outlet for the attachment of lighting fixtures shall be provided with a fixture stud securely anchored to the box. G. Outlets occurring in architectural features shall be accurately centered in same. Space wall switch outlets so that first gang box is 4" from door trim on the strike side of the door. <b>3.02 APPLICATIONS GUIDE</b> A. The types of electrical boxes and fittings used for the various portions of the system shall be as follows: 1. Octagonal Boxes: Flush mounted ceiling or wall lighting fixtures. 2. Square Boxes: Flush mounted ceiling or wall lighting fixtures. Flush mounted wiring or system devices. Flush mounted locations with more than two conduits to a single device or fixture. 3. Utility Boxes: Temporary work only 4. Gang Boxes: Flush mounted locations with more than one wiring device. 5. Concrete Boxes: Flush fixture box locations in poured concrete. 		<b>SECTION 16500 - LIGHTING FIXTURES</b> <b>PART 1 - GENERAL</b> <b>1.01 DESCRIPTION</b> A. The work covered in this section consists of furnishing and installing all lighting fixtures, complete with lamps and all accessories necessary for the complete installation as indicated on the drawings and specified herein. Contractor to submit unit pricing for all fixtures with the bid. <b>1.02 QUALITY CRITERIA</b> A. All fixtures and lamps as scheduled and indicated on the drawings and bid documents shall be furnished as indicated on drawings. B. All fixtures shall be listed by Underwriters Laboratories and bear the UL label. <b>PART 2 - PRODUCTS</b> <b>2.01 LAMPS</b> A. Furnished by contractor. Contractor is to furnish six (6) of spare lamps of each type used at final acceptance of project. B. Manufacturer: General Electric. <b>2.02 LIGHTING FIXTURES</b> A. As indicated on lighting fixture legend and specification package. <b>PART 3 - EXECUTION</b> <b>3.01 LIGHTING FIXTURES</b> A. Install all fixtures with specified lamps as indicated on the drawings. B. Coordinate fixture locations and mounting methods with existing structure prior to installation. 	
<b>SECTION 16200 - LIGHTING FIXTURES</b> <b>PART 1 - GENERAL</b> <b>1.01 DESCRIPTION</b> A. The work covered in this section consists of providing wiring devices complete with all accessories as indicated on the drawings and specified herein. <b>1.02 QUALITY CRITERIA</b> A. Wiring devices shall comply with applicable NEMA standards for general and specific purpose devices. B. Color of wiring devices and plates are to be determined by Owner. Provide samples of all colors to the Architect/Owner. <b>PART 2 - PRODUCTS</b> <b>2.01 COVER PLATES</b> A. All switches or convenience outlets are shown in the same location, they shall be covered with a single plate of the proper gang. <b>2.02 WALL RECEPTACLES</b> A. 20 ampere, 125 volt, three-wire self-grounding type. Leviton #824 B. Indoor GFI receptacles shall be Leviton #8899. C. TV and Telephone plates shall match receptacles cover plates. D. All outlet locations and mounting heights are to be reviewed with the Architect on site prior to installation. <b>2.03 WALL SWITCHES</b> A. Standard switches shall be toggle style, flush type, 20 ampere, 120/277 volt, A.C. only, totally enclosed toggle switch. Provide Leviton #CSB1-20. B. Special type: three way, four way, two pole shall be of same design, color and manufacturer as single pole switches and shall be 20 ampere, Leviton #CSB2,3,4,20. <b>PART 3 - EXECUTION</b> <b>3.01 LOCATION</b> A. Contractor shall mark all locations of wiring devices on floor for final review and approval by Architect. Failure to receive approval may cause devices to be relocated as directed by Architect at Contractor's expense. B. Coordinate the exact location of wiring devices with other trades and architectural features. Do not locate devices on two different architectural finishes such as half on wall tile and half on painted surface. C. Dimensions shown on drawing indicate the distance from the center line of the box from the floor. <b>3.02 INSTALLATION</b> A. Mount all wiring devices in standard steel outlet boxes. Provide plaster rings in areas requiring them due to construction. B. Where more than one device is indicated, arrange in gangs covered with one coverplate. C. Provide 8" long ground wire from grounding lug of all grounding type receptacles to a suitable device on the conduit or outlet box. 		<b>SECTION END</b> <b>SECTION 1630 - ELECTRICAL BOXES AND FITTINGS</b> <b>PART 1 - GENERAL</b> <b>1.01 DESCRIPTION</b> A. The work covered in this section consists of furnishing and installing all materials required for the installation of all outlet boxes, junction boxes, pull boxes and covers. <b>1.02 QUALITY CRITERIA</b> A. Provide metallic boxes which have been listed and labeled by Underwriters Laboratories. <b>PART 2 - PRODUCTS</b> <b>2.01 OUTLET BOXES</b> A. Standard Outlet Boxes: Boxes and covers shall be heavy walled plastic (non-metallic) and in every instance of such form and dimensions as to be adapted to its specific use and location, kind of fixtures to be used, and number, size and arrangement of conduits concerning thereon. Contractor is to apply a field application of spray-on cold galvanized finish to protect boxes during construction. B. Junction Boxes: Junction boxes shall be provided with blank covers painted to match surroundings. C. Fittings: For outlets in exposed conduit, PVC type FS boxes and schedule 80 PVC fittings shall be provided. These shall be Carlon. D. Covers: Where outlet boxes are to be capped, blank coverplates shall be used. <b>PART 3 - EXECUTION</b> <b>3.01 INSTALLATION</b> A. Outlet boxes and junction boxes shall be mounted to structures and walls with corrosion resistant stainless steel anchor or molly bolts. B. Fittings designated as pull fittings shall be installed to facilitate pulling wiring as required by N.E.C. C. Provide weatherproof outlets for interior and exterior locations exposed to weather or moisture exposure. D. The edge of all outlet boxes shall be flush with the surface in which they are recessed. E. Cuts for outlet boxes shall be made so that the coverplate will completely cover the cut. F. Each outlet for the attachment of lighting fixtures shall be provided with a fixture stud securely anchored to the box. G. Outlets occurring in architectural features shall be accurately centered in same. Space wall switch outlets so that first gang box is 4" from door trim on the strike side of the door. <b>3.02 APPLICATIONS GUIDE</b> A. The types of electrical boxes and fittings used for the various portions of the system shall be as follows: 1. Octagonal Boxes: Flush mounted ceiling or wall lighting fixtures. 2. Square Boxes: Flush mounted ceiling or wall lighting fixtures. Flush mounted wiring or system devices. Flush mounted locations with more than two conduits to a single device or fixture. 3. Utility Boxes: Temporary work only 4. Gang Boxes: Flush mounted locations with more than one wiring device. 5. Concrete Boxes: Flush fixture box locations in poured concrete. 	
<b>SECTION 16400 - LIGHTING FIXTURES</b> <b>PART 1 - GENERAL</b> <b>1.01 DESCRIPTION</b> A. The work covered in this section consists of providing wiring devices complete with all accessories as indicated on the drawings and specified herein. <b>1.02 QUALITY CRITERIA</b> A. Wiring devices shall comply with applicable NEMA standards for general and specific purpose devices. B. Color of wiring devices and plates are to be determined by Owner. Provide samples of all colors to the Architect/Owner. <b>PART 2 - PRODUCTS</b> <b>2.01 COVER PLATES</b> A. All switches or convenience outlets are shown in the same location, they shall be covered with a single plate of the proper gang. <b>2.02 WALL RECEPTACLES</b> A. 20 ampere, 125 volt, three-wire self-grounding type. Leviton #824 B. Indoor GFI receptacles shall be Leviton #8899. C. TV and Telephone plates shall match receptacles cover plates. D. All outlet locations and mounting heights are to be reviewed with the Architect on site prior to installation. <b>2.03 WALL SWITCHES</b> A. Standard switches shall be toggle style, flush type, 20 ampere, 120/277 volt, A.C. only, totally enclosed toggle switch. Provide Leviton #CSB1-20. B. Special type: three way, four way, two pole shall be of same design, color and manufacturer as single pole switches and shall be 20 ampere, Leviton #CSB2,3,4,20. <b>PART 3 - EXECUTION</b> <b>3.01 LOCATION</b> A. Contractor shall mark all locations of wiring devices on floor for final review and approval by Architect. Failure to receive approval may cause devices to be relocated as directed by Architect at Contractor's expense. B. Coordinate the exact location of wiring devices with other trades and architectural features. Do not locate devices on two different architectural finishes such as half on wall tile and half on painted surface. C. Dimensions shown on drawing indicate the distance from the center line of the box from the floor. <b>3.02 INSTALLATION</b> A. Mount all wiring devices in standard steel outlet boxes. Provide plaster rings in areas requiring them due to construction. B. Where more than one device is indicated, arrange in gangs covered with one coverplate. C. Provide 8" long ground wire from grounding lug of all grounding type receptacles to a suitable device on the conduit or outlet box. 		<b>SECTION END</b> <b>SECTION 16400 - LIGHTING FIXTURES</b> <b>PART 1 - GENERAL</b> <b>1.01 DESCRIPTION</b> A. The work covered in this section consists of providing disconnect switches complete with all required accessories as indicated on the drawings and specified herein. <b>1.02 QUALITY CRITERIA</b> 1. Disconnect switches shall be manufactured in accordance with the latest NEMA and UL standards. 2. Manufacturer: Leviton as specified or approved equivalent. <b>1.03 SUBMITTALS</b> 1. Shop drawings shall indicate enclosure size, unit ratings and all information necessary to indicate compliance with plans and specifications. <b>PART 2 - PRODUCTS</b> <b>2.01 DISCONNECT SWITCHES</b> 1. Type: single throw, heavy duty, with quick-make, quick-break contacts and interlocking covers. They shall be fusible or non-fusible, 600 volt, 2- or 3-pole, except where noted or specified otherwise. 2. Enclosure: Provide NEMA 4X/12 corrosion resistant enclosures. 3. Non-fused disconnect switches shall be horsepower rated for the motor installed. 4. Switches with current limiting fuses shall have rejection clips. 5. Fuses: Provide 1/2" x 1/4" x 1/4" gcr 342X's qcr4's g' 3 " Rcp' 1qpy 'jg cndg'U'svcrg'F'4732'kgp'd Mount in 4" square box with industrial cover fry locations and a weatherproof box for damp locations. <b>PART 3 - EXECUTION</b> <b>3.01 INSTALLATION</b> 1. Provide an engraved phenolic nameplate for each switch as specified in other section; indicate voltage and equipment served. 2. Verify horsepower rating of disconnect switch with actual motor installed. 3. Mount on wall or backboard approximately 5' above the floor where possible. 	
<b>SECTION 16500 - LIGHTING FIXTURES</b> <b>PART 1 - GENERAL</b> <b>1.01 DESCRIPTION</b> A. The work covered in this section consists of furnishing and installing all lighting fixtures, complete with lamps and all accessories necessary for the complete installation as indicated on the drawings and specified herein. Contractor to submit unit pricing for all fixtures with the bid. <b>1.02 QUALITY CRITERIA</b> A. All fixtures and lamps as scheduled and indicated on the drawings and bid documents shall be furnished as indicated on drawings. B. All fixtures shall be listed by Underwriters Laboratories and bear the UL label. <b>PART 2 - PRODUCTS</b> <b>2.01 LAMPS</b> A. Furnished by contractor. Contractor is to furnish six (6) of spare lamps of each type used at final acceptance of project. B. Manufacturer: General Electric. <b>2.02 LIGHTING FIXTURES</b> A. As indicated on lighting fixture legend and specification package. <b>PART 3 - EXECUTION</b> <b>3.01 LIGHTING FIXTURES</b> A. Install all fixtures with specified lamps as indicated on the drawings. B. Coordinate fixture locations and mounting methods with existing structure prior to installation. 		<b>SECTION END</b> <b>SECTION 16600 - LIGHTING FIXTURES</b> <b>PART 1 - GENERAL</b> <b>1.01 DESCRIPTION</b> A. The work covered in this section consists of furnishing and installing all lighting fixtures, complete with lamps and all accessories necessary for the complete installation as indicated on the drawings and specified herein. Contractor to submit unit pricing for all fixtures with the bid. <b>1.02 QUALITY CRITERIA</b> A. All fixtures and lamps as scheduled and indicated on the drawings and bid documents shall be furnished as indicated on drawings. B. All fixtures shall be listed by Underwriters Laboratories and bear the UL label. <b>PART 2 - PRODUCTS</b> <b>2.01 LAMPS</b> A. Furnished by contractor. Contractor is to furnish six (6) of spare lamps of each type used at final acceptance of project. B. Manufacturer: General Electric. <b>2.02 LIGHTING FIXTURES</b> A. As indicated on lighting fixture legend and specification package. <b>PART 3 - EXECUTION</b> <b>3.01 LIGHTING FIXTURES</b> A. Install all fixtures with specified lamps as indicated on the drawings. B. Coordinate fixture locations and mounting methods with existing structure prior to installation. 	
<b>SECTION 16700 - LIGHTING FIXTURES</b> <b>PART 1 - GENERAL</b> <b>1.01 DESCRIPTION</b> A. The work covered in this section consists of furnishing and installing all lighting fixtures, complete with lamps and all accessories necessary for the complete installation as indicated on the drawings and specified herein. Contractor to submit unit pricing for all fixtures with the bid. <b>1.02 QUALITY CRITERIA</b> A. All fixtures and lamps as scheduled and indicated on the drawings and bid documents shall be furnished as indicated on drawings. B. All fixtures shall be listed by Underwriters Laboratories and bear the UL label. <b>PART 2 - PRODUCTS</b> <b>2.01 LAMPS</b> A. Furnished by contractor. Contractor is to furnish six (6) of spare lamps of each type used at final acceptance of project. B. Manufacturer: General Electric. <b>2.02 LIGHTING FIXTURES</b> A. As indicated on lighting fixture legend and specification package. <b>PART 3 - EXECUTION</b> <b>3.01 LIGHTING FIXTURES</b> A. Install all fixtures with specified lamps as indicated on the drawings. B. Coordinate fixture locations and mounting methods with existing structure prior to installation. 		<b>SECTION END</b> <b>SECTION 16800 - LIGHTING FIXTURES</b> <b>PART 1 - GENERAL</b> <b>1.01 DESCRIPTION</b> A. The work covered in this section consists of furnishing and installing all lighting fixtures, complete with lamps and all accessories necessary for the complete installation as indicated on the drawings and specified herein. Contractor to submit unit pricing for all fixtures with the bid. <b>1.02 QUALITY CRITERIA</b> A. All fixtures and lamps as scheduled and indicated on the drawings and bid documents shall be furnished as indicated on drawings. B. All fixtures shall be listed by Underwriters Laboratories and bear the UL label. <b>PART 2 - PRODUCTS</b> <b>2.01 LAMPS</b> A. Furnished by contractor. Contractor is to furnish six (6) of spare lamps of each type used at final acceptance of project. B. Manufacturer: General Electric. <b>2.02 LIGHTING FIXTURES</b> A. As indicated on lighting fixture legend and specification package. <b>PART 3 - EXECUTION</b> <b>3.01 LIGHTING FIXTURES</b> A. Install all fixtures with specified lamps as indicated on the drawings. B. Coordinate fixture locations and mounting methods with existing structure prior to installation. 	
<b>SECTION 16900 - LIGHTING FIXTURES</b> <b>PART 1 - GENERAL</b> <b>1.01 DESCRIPTION</b> A. The work covered in this section consists of furnishing and installing all lighting fixtures, complete with lamps and all accessories necessary for the complete installation as indicated on the drawings and specified herein. Contractor to submit unit pricing for all fixtures with the bid. <b>1.02 QUALITY CRITERIA</b> A. All fixtures and lamps as scheduled and indicated on the drawings and bid documents shall be furnished as indicated on drawings. B. All fixtures shall be listed by Underwriters Laboratories and bear the UL label. <b>PART 2 - PRODUCTS</b> <b>2.01 LAMPS</b> A. Furnished by contractor. Contractor is to furnish six (6) of spare lamps of each type used at final acceptance of project. B. Manufacturer: General Electric. <b>2.02 LIGHTING FIXTURES</b> A. As indicated on lighting fixture legend and specification package. <b>PART 3 - EXECUTION</b> <b>3.01 LIGHTING FIXTURES</b> A. Install all fixtures with specified lamps as indicated on the drawings. B. Coordinate fixture locations and mounting methods with existing structure prior to installation. 		<b>SECTION END</b> <b>SECTION 16900 - LIGHTING FIXTURES</b> <b>PART 1 - GENERAL</b> <b>1.01 DESCRIPTION</b> A. The work covered in this section consists of furnishing and installing all lighting fixtures, complete with lamps and all accessories necessary for the complete installation as indicated on the drawings and specified herein. Contractor to submit unit pricing for all fixtures with the bid. <b>1.02 QUALITY CRITERIA</b> A. All fixtures and lamps as scheduled and indicated on the drawings and bid documents shall be furnished as indicated on drawings. B. All fixtures shall be listed by Underwriters Laboratories and bear the UL label. <b>PART 2 - PRODUCTS</b> <b>2.01 LAMPS</b> A. Furnished by contractor. Contractor is to furnish six (6) of spare lamps of each type used at final acceptance of project. B. Manufacturer: General Electric. <b>2.02 LIGHTING FIXTURES</b> A. As indicated on lighting fixture legend and specification package. <b>PART 3 - EXECUTION</b> <b>3.01 LIGHTING FIXTURES</b> A. Install all fixtures with specified lamps as indicated on the drawings. B. Coordinate fixture locations and mounting methods with existing structure prior to installation. 	
<b>SECTION 17000 - LIGHTING FIXTURES</b> <b>PART 1 - GENERAL</b> <b>1.01 DESCRIPTION</b> A. The work covered in this section consists of furnishing and installing all lighting fixtures, complete with lamps and all accessories necessary for the complete installation as indicated on the drawings and specified herein. Contractor to submit unit pricing for all fixtures with the bid. <b>1.02 QUALITY CRITERIA</b> A. All fixtures and lamps as scheduled and indicated on the drawings and bid documents shall be furnished as indicated on drawings. B. All fixtures shall be listed by Underwriters Laboratories and bear the UL label. <b>PART 2 - PRODUCTS</b> <b>2.01 LAMPS</b> A. Furnished by contractor. Contractor is to furnish six (6) of spare lamps of each type used at final acceptance of project. B. Manufacturer: General Electric. <b>2.02 LIGHTING FIXTURES</b> A. As indicated on lighting fixture legend and specification package. <b>PART 3 - EXECUTION</b> <b>3.01 LIGHTING FIXTURES</b> A. Install all fixtures with specified lamps as indicated on the drawings. B. Coordinate fixture locations and mounting methods with existing structure prior to installation. 		<b>SECTION END</b> <b>SECTION 17100 - LIGHTING FIXTURES</b> <b>PART 1 - GENERAL</b> <b>1.01 DESCRIPTION</b> A. The work covered in this section consists of furnishing and installing all lighting fixtures, complete with lamps and all accessories necessary for the complete installation as indicated on the drawings and specified herein. Contractor to submit unit pricing for all fixtures with the bid. <b>1.02 QUALITY CRITERIA</b> A. All fixtures and lamps as scheduled and indicated on the drawings and bid documents shall be furnished as indicated on drawings. B. All fixtures shall be listed by Underwriters Laboratories and bear the UL label. <b>PART 2 - PRODUCTS</b> <b>2.01 LAMPS</b> A. Furnished by contractor. Contractor is to furnish six (6) of spare lamps of each type used at final acceptance of project. B. Manufacturer: General Electric. <b>2.02 LIGHTING FIXTURES</b> A. As indicated on lighting fixture legend and specification package. <b>PART 3 - EXECUTION</b> <b>3.01 LIGHTING FIXTURES</b> A. Install all fixtures with specified lamps as indicated on the drawings. B. Coordinate fixture locations and mounting methods with existing structure prior to installation. 	
<b>SECTION 17200 - LIGHTING FIXTURES</b> <b>PART 1 - GENERAL</b> <b>1.01 DESCRIPTION</b> A. The work covered in this section consists of furnishing and installing all lighting fixtures, complete with lamps and all accessories necessary for the complete installation as indicated on the drawings and specified herein. Contractor to submit unit pricing for all fixtures with the bid. <b>1.02 QUALITY CRITERIA</b> A. All fixtures and lamps as scheduled and indicated on the drawings and bid documents shall be furnished as indicated on drawings. B. All fixtures shall be listed by Underwriters Laboratories and bear the UL label. <b>PART 2 - PRODUCTS</b> <b>2.01 LAMPS</b> A. Furnished by contractor. Contractor is to furnish six (6) of spare lamps of each type used at final acceptance of project. B. Manufacturer: General Electric. <b>2.02 LIGHTING FIXTURES</b> A. As indicated on lighting fixture legend and specification package. <b>PART 3 - EXECUTION</b> <b>3.01 LIGHTING FIXTURES</b> A. Install all fixtures with specified lamps as indicated on the drawings. B. Coordinate fixture locations and mounting methods with existing structure prior to installation. 		<b>SECTION END</b> <b>SECTION 17300 - LIGHTING FIXTURES</b> <b>PART 1 - GENERAL</b> <b>1.01 DESCRIPTION</b> A. The work covered in this section consists of furnishing and installing all lighting fixtures, complete with lamps and all accessories necessary for the complete installation as indicated on the drawings and specified herein. Contractor to submit unit pricing for all fixtures with the bid. 	



**BRIDGES MARSH & ASSOCIATES, INC.**  
 CHARTERED ARCHITECTS  
 Eighteen Via Mizner  
 Palm Beach, Florida 33480  
 Phone: (561) 832 1533  
 Fax: (561) 832 1520

CONSULTANT

SEAL

**TOWN OF PALM BEACH**  
**MID-TOWN RESTROOMS**  
 PALM BEACH  
 FLORIDA

PLUMBING FLOOR PLAN  
 DRAWING

21129  
 JOB NO.

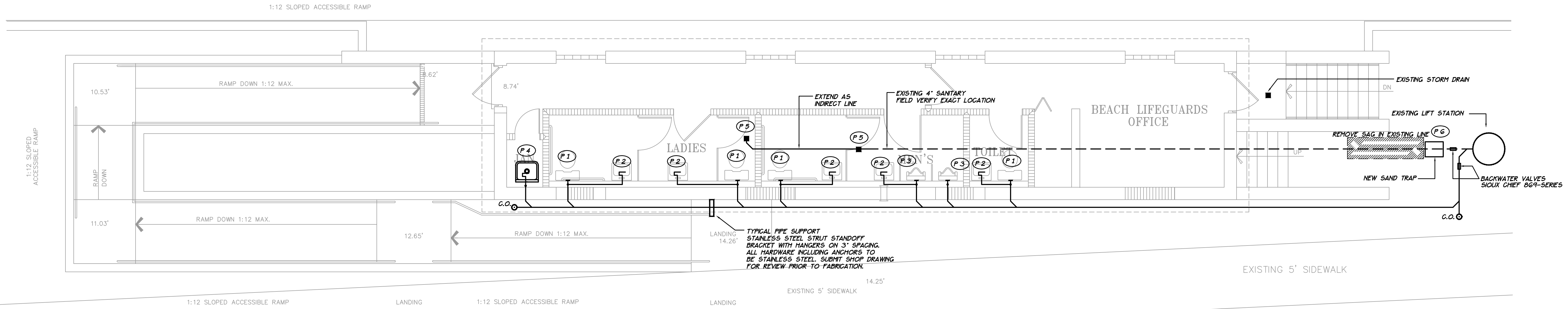
NOTE:  
 ALL DRAWINGS FOR THIS PROJECT ARE TO BE READ IN CONJUNCTION WITH EACH OTHER. THESE INCLUDE, BUT ARE NOT LIMITED TO: ARCHITECTURAL, SURVEYING, STRUCTURAL, CIVIL, MECHANICAL, ELECTRICAL, SPECIALTY DRAWINGS, AND WRITTEN SPECIFICATIONS.  
 CONTRACTOR TO VERIFY ALL EXISTING SITE CONDITIONS AND THOROUGHLY CHECK ELEVATIONS AND DIMENSIONS BEFORE COMMENCING WORK. REPORT TO THE ARCHITECT ENGINEER ANY DISCREPANCIES, ERRORS OR CONDITIONS THAT WILL ALTER CONSTRUCTION AS INTENDED BY THESE DRAWINGS. ARCHITECT IS NOT RESPONSIBLE FOR ANY WORK AND/OR MATERIALS FURNISHED ON THE JOB.

1	6
2	7
3	8
4	9
5	10

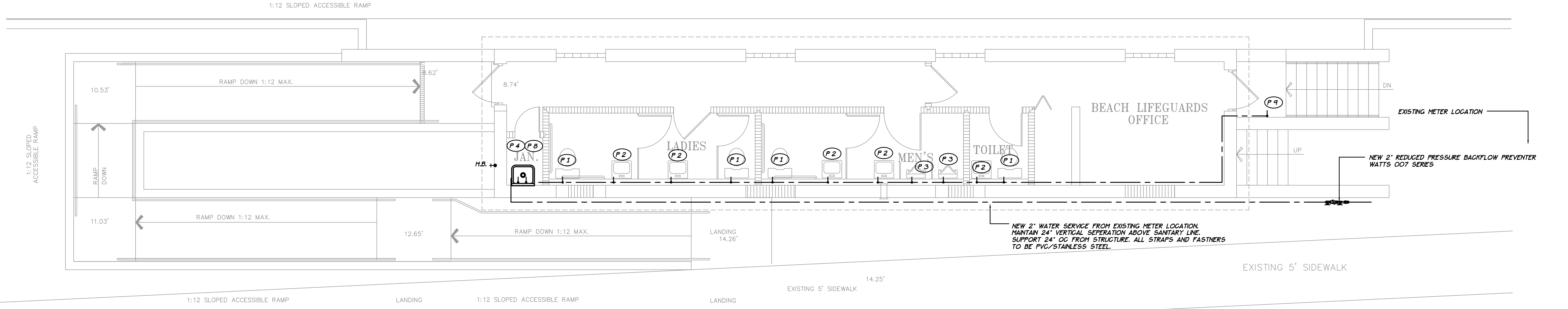
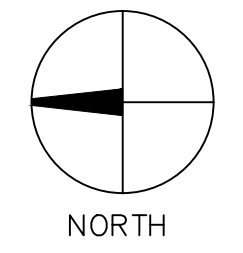
1/4" = 1'-0"  
 SCALE

DATE: 3/26/12  
 FOR: TOWN OF PALM BEACH  
 CHK: [Signature]  
 M: M

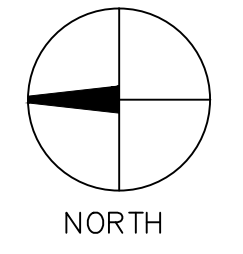
P1.1  
 DWG. NO.



**SANITARY FLOOR PLAN**



**DOMESTIC FLOOR PLAN**



**TEELE & ASSOCIATES**  
 CONSULTING ENGINEERS  
 6884 EVANS ROAD  
 DELRAY BEACH, FLORIDA 33445 (561) 455-2438  
 CERT. OF AUTH. NO. 28712

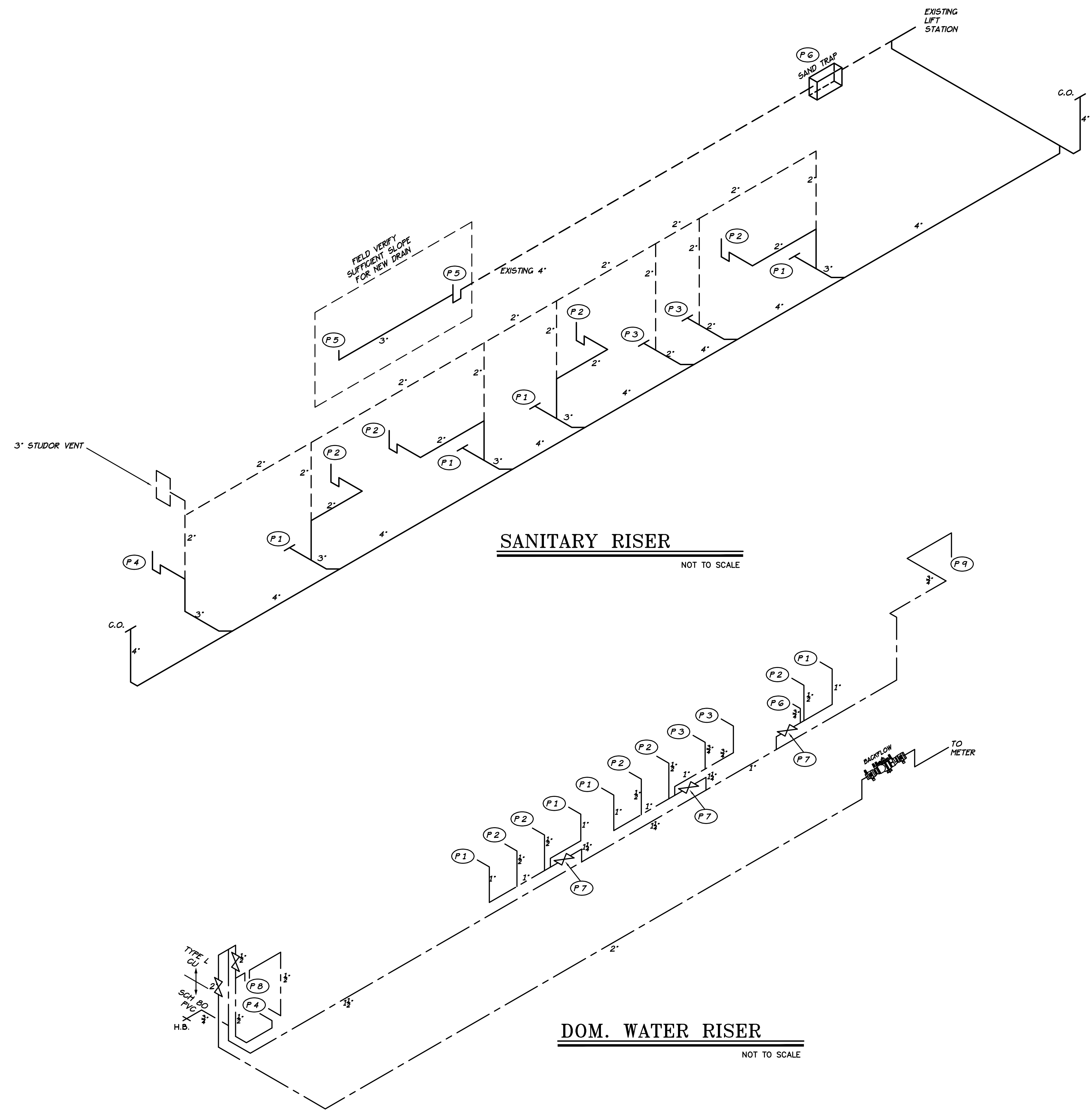
**MICHAEL A. TEELE, P.E.**  
 ENGINEER OF RECORD  
 FLORIDA REGISTRATION  
 P.E. 32266

DATE:

JOB #1008

PLUMBING FIXTURE SCHEDULE				
ITEM NO	DESCRIPTION	MPGR. & MODEL NO	MATERIAL	ACCESSORIES
P-1	WATER CLOSET FLUSH VALVE WALL MTD	KOHLER STRATION K-4450-C	Vitreous China	SEAT VALVE CARRIER SLOAN MODEL 110 JOBAM 10123
P-2	LAVATORY HANDICAPPED WALL MOUNTED	KOHLER WALL HUNG K-12638	Vitreous China	CARRIER JOBAM 17100 CHICAGO FAUCET 807-812-665PSHCP TRAP ZURN-ZH-8830-LR-LK STOP ZURN-ZH-8830-LR-LK
P-3	URNIAL FLUSH VALVE	KOHLER STANWELL K-4972-ET	Vitreous China	VALVE SLOAN MODEL 180 CARRIER ZOSAM 17560-LR
P-4	SERVICE SINK	KOHLER SUDBURY K-6650	Vitreous China	FAUCET KOHLER K8905-RP ** TRAP KOHLER K6673 RIM GUARD KOHLER K-8034 STOP (2) ZURN-ZH-8830-LR-LK
P-5	FLOOR DRAIN	STIUX CHIEF FINISH LINE 852-35PNQ	PVC	5" SQUARE NICKEL TOP
P-6	SAND SEPARATOR	JOSAM SOLID INTERCEPTOR 01806	S/S	
P-7	CONCEALED SHUTOFF	ACUDOR S/S VALVE BOX ARVB	S/S	SCREWDRIIVER CAM LATCH SIZE 8 X 8 X 6 VALVE WATTS B8081 SERIES
P-8	WATER HEATER	AQ SMITH E-JC-5		COMPACT 6 GALLON 1500 WATT/120V
P-9	RINSE STATION	CHICAGO FAUCETS 921-CP 770-665PSHCP		
H.B.	HOSE BIBB	WOODFORD 24F	BRONZE	

\* HANDICAPPED ACCESSIBLE FIXTURE. ALL SINKS TO BE SUPPLIED WITH DRAINS.  
 \*\* FAUCET HAS THREADED SPOUT FOR HOSE CONNECTION.  
 ALL FIXTURES ARE WHITE UNLESS OTHERWISE SPECIFIED.  
 ALL FLOOR DRAINS TO BE TRAP PRIMED WITH 1/2" COPPER FROM NEAREST SINK DRAIN.



**BRIDGES MARSH & ASSOCIATES, INC.**  
 CHARTERED ARCHITECTS  
 Eighteen Via Mizner  
 Palm Beach, Florida 33480  
 Phone: (561) 832 1533  
 Fax: (561) 832 1520

CONSULTANT

SEAL

**TOWN OF PALM BEACH**  
 MID-TOWN RESTROOMS  
 PALM BEACH, FLORIDA

PLUMBING RISERS PLAN  
 DRAWING

21129  
 JOB NO.

NOTE:  
 ALL DRAWINGS FOR THIS PROJECT ARE TO BE READ IN CONJUNCTION WITH EACH OTHER. THESE INCLUDE, BUT ARE NOT LIMITED TO: ARCHITECTURAL, SURVEYING, STRUCTURAL, CIVIL, MECHANICAL, ELECTRICAL, SPECIALTY DRAWINGS, AND WRITTEN SPECIFICATIONS.  
 CONTRACTOR TO VERIFY ALL EXISTING SITE CONDITIONS AND THOROUGHLY CHECK ELEVATIONS AND DIMENSIONS BEFORE COMMENCING WORK. REPORT TO THE ARCHITECT ENGINEER ANY DISCREPANCIES, ERRORS OR CONDITIONS THAT WILL ALTER CONSTRUCTION AS INTENDED BY THESE DRAWINGS. ARCHITECT IS NOT RESPONSIBLE FOR ANY WORK AND/OR MATERIALS FURNISHED ON THE JOB.

1	6
2	7
3	8
4	9
5	10

NO SCALE SCALE

**MICHAEL A. TEELE, P.E.**  
 ENGINEER OF RECORD  
 FLORIDA REGISTRATION  
 P.E. 32266

DATE: 3/26/12  
 CHK. DRWN: T.M. PEARSON  
 M.M.

P2.1  
 DWG. NO.

**PLUMBING RISERS & SCHEDULES**

**TEELE & ASSOCIATES**  
 CONSULTING ENGINEERS  
 5834 EVANS ROAD  
 DELRAY BEACH, FLORIDA 33445 (561) 455-2438  
 CERT. OF AUTH. NO. 28712

DATE:

SECTION 15900 - PLUMBING WORK, GENERAL

**PART 1 - GENERAL**

**1.01 DESCRIPTION**

A. Provide labor, service and materials necessary to provide the work as shown on the drawings and specified including all necessary equipment and accessories.

B. Except where portions of these specifications are more exacting, work of this division shall comply with all applicable provisions of the general scope of work.

C. Requirements of General Conditions, Supplementary Conditions and Division 1 of the specification apply to work of this division. They shall be as binding as set forth at length herein.

D. This work shall be executed in an orderly and careful manner and shall conform to accepted AIA standards.

E. Related documents that require plumbing coordination include, but are not limited to:

- Division 2, Site Work
- Division 9, Painting

**1.02 WORK INCLUDED**

A. Work under this division includes, but is not necessarily limited to:

15900 Plumbing Work, General

**1.03 CODES, ORDINANCES AND REGULATIONS**

A. All work shall comply with governing codes, ordinances, and regulations of State, County and Local Municipalities which have jurisdiction.

B. Codes and Standards: Unless modified by these specifications, the design, manufacture, testing, and method of installation shall conform to the latest adopted editions of the following:

- 2007 Florida Plumbing Code with amendments
- 2007 Florida Mechanical Code with amendments
- NFPA-70, National Electrical Code, 2008 Edition
- ANSI, American National Standards Institute
- ASME, American Society of Mechanical Engineers
- ASTM, American Society of Testing and Material

C. Where any of the above is at variance with the drawings and specifications, the code requirements shall take precedence and any cost necessary to meet these shall be included in the contract. Drawings are schematic and do not necessarily indicate individual code compliance. Contractor shall provide all necessary items to comply with the above codes within the scope of the contract.

D. This contractor is assumed to be skilled in the trade and is solely responsible for compliance with all regulations, performing the work in a safe and competent manner, and in installation procedures required for this work. All supervision assigned to this project shall be experienced in this type of work.

**1.04 PERMITS**

A. Contractor is to obtain and pay for all permits, licenses, inspections, and connection fees required by governing bodies in connection with their work.

**1.05 INSPECTION**

A. Before submitting his proposal, each bidder shall visit the site and examine the premises so as to fully understand all of the existing conditions relating to his work. No allowance or consideration will be made for the lack of

knowledge of materials to be furnished, work to be done, existing conditions, code requirements, or conditions with which to be complied.

B. Examine surfaces to which work under this division will be contiguous. Notify Architect/Engineer, in writing, of visible or latent defects which would prevent proper installation of work under this division. Commencement of work shall be construed as acceptance of such surfaces.

**1.06 DRAWINGS**

A. Subcontractor should examine structural, mechanical, and electrical drawings prior to submitting bid. Subcontractor will be required to furnish, install, and connect, with appropriate services, indicated items without additional expense to owner. Architect/Engineer shall be notified of discrepancies, omissions, conflicts, or interferences which occur between drawings or between drawings and specifications. If such notification is received in adequate time, additional data or changes will be issued by addendum to all bidders. If notification is not received, it is implied that additional costs will not be incurred.

B. Structural drawings shall take precedence over plumbing drawings with reference to construction. Plumbing drawings are diagrammatic but shall be followed as closely as actual construction and work by other trades will permit. Necessary changes in spacing and location of plumbing fixtures and piping may be made provided the overall patterns and layouts are not altered and remain uniform. Location of piping, fixtures, equipment, etc. will be coordinated with Architectural elevations and building floor plans.

C. Changes from drawings necessary to make the work of subcontractors easier, will be done at their own expense.

D.  $\forall j g'oprc'eq' k'q'b' c'p'c'p' s' c'g'q'h'c'a' d'q'w' q'p'r'e'v' g'q'h'k'g'v' g'g'f'c'y' l'p' u'g' c'm'f'p' k'c'g'v'p'$  deviations to the construction documents and provide dimensions of critical equipment location. As-built drawings shall be delivered to the owner prior to final inspection.

**1.07 CLAIMS FOR EXTRA WORK**

A. Claims for "EXTRAS" or additions to contract shall be made in writing by each subcontractor and submitted to Architect for approval. No claims for "EXTRA WORK" will be allowed unless authorization has been obtained in writing from Architect.

B. Should contractor or his subcontractors start work without receiving approval in writing from Architect, it will be construed as acceptance by them that such work is required under their contract, and no further claim for an "EXTRA" will be considered or allowed by Architect. Compensation for "EXTRA" work will be as indicated in the General Conditions. Claim submittal must include material invoice copies and man hours/rates for specific extra claimed. No payment will be made without substantiation.

**1.08 MAINTENANCE DATA AND OPERATIONAL MANUALS**

A. Provide three complete bound sets of all maintenance data and operational manuals. These are to be transmitted to the owner upon completion of the project. Service manuals should contain but not be limited to the following:

- Title sheet with job name, and the names, addresses and phone numbers of the Contractor, subcontractor, control subcontractor, related contractor and material and equipment suppliers.
- Index of contents.
- A copy of acknowledgement of instruction to the Owner's operating personnel in the operation of all plumbing equipment and systems, signed by the Owner or his authorized representative.
- Typewritten operating instructions for the Owner's operating personnel describing how to control and service each piece of equipment; how to set the control system for normal operation and normal restarting procedures, and caution and warning notices.
- Approved shop drawings, product data and parts and maintenance booklet for each item of material and equipment furnished under Sections 15010 through 15649.
- Guarantees, including extended guarantees.

**1.09 GUARANTEE AND SERVICE**

A. In addition to guarantee of equipment by manufacturer of each piece of equipment specified herein, each subcontractor shall also guarantee such equipment and make good any defect of material or workmanship occurring during a period of (1) year from final acceptance test, without expense to owner.

B. Each subcontractor shall service systems for (1) year from final acceptance. Such service will include lubrication, necessary adjustment, and/or replacement of defective equipment and materials furnished.

**1.10 SHOP DRAWINGS AND MATERIAL CUTS**

A. Materials and equipment are specified herein by a single or by multiple manufacturers, to indicate quality, material, and type of construction desired. One manufacturer's product is indicated and has been used as basis for design; it shall be each subcontractor's responsibility to ascertain that alternate manufacturer's products conform to detailed specification, and that size and arrangement of equipment is suitable for installation. Products of other manufacturer's will be considered for use if in the Engineer's opinion, item requested for substitution is equal to that specified. Should a subcontractor desire to make a substitution, he should apply in writing, stating amount of credit or extra involved, including complete Engineering data.

B. It shall be the responsibility of each subcontractor making a substitution to include changes required by other trades for proper operation of equipment proposed to be substituted. Substitutions shall be made at no additional cost to the owner.

C. Before purchase of equipment, submit (8) copies of shop drawings for approval. Identify each item submitted. Information on shop drawings shall contain all that is necessary to show that equipment complied with specifications and drawings. Show required modifications. One complete set of approved shop drawings shall be kept at job site.

D. **All submittals of plumbing materials or equipment shall be made at the same time contained within one binder and one letter of transmittal.**

E. Provide shop drawings for the following materials applicable to this project:

- Plumbing Piping and Fittings
- Plumbing Fixtures, Stops, Trim and Drains
- Water Heating Equipment

Corrections or comments made on shop drawings during review do not relieve contractor from compliance with requirements of drawings and specifications. This check is only for review of general conformance with design concept of project, and general compliance with information given in contract documents.

**1.11 WATER SERVICE**

A. Potable water service shall be as indicated or as required by the local utility. Consultation and coordination with local utility company representative is a job requirement prior to start of project.

**1.12 SANITARY SERVICE**

A. Provide sanitary service as indicated on the drawings or as required by the local utility. Consult with utility company immediately after award of construction contract and reach agreement with its representatives as to installation details.

**PART 2 - PRODUCTS**

**2.01 GENERAL**

A. Systems shall be provided complete. Should a system, or any part thereof fail to meet performance requirements, necessary replacements, alterations or repairs, as required by the Architect/Engineer, shall be made to bring performance up to specified requirements. All building construction and finishes damaged or marred by such

replacements, alterations or repairs shall be restored at no additional cost to the Owner.

B. Where multiple items of equipments or materials are required they shall be the product of a single manufacturer.

C. Inserts, pipe sleeves, hangers, supports, fixtures, trim, drains and anchorage of systems components shall be provided as specified herein. Where such items are to be set or embedded in concrete, masonry or similar work, the items shall be furnished and layout made at the proper time for the setting or embedment thereof so as to cause no delay in the work.

D. Piping assemblies of equipment shown on the drawings are diagrammatic. All piping and appurtenances required for the proper operation of all equipment shall be provided.

E. Provide reducing fittings as required for transition between pipe sizes.

F. Keep all pipe and other equipment protected to prevent entry of foreign matter. Cover fixtures, equipment and apparatus as required for protection. Copper piping shall be stored insulated from other materials.

**2.02 STANDARD PRODUCTS**

A. Unless otherwise indicated in writing by the Architect/Engineer, the materials to be furnished under this specification shall be the manufacturer's latest standard design. Where two or more units of the same class of equipment are required, these units shall be products of the same manufacturer. Units of equipment and components of the same purpose and rating shall be interchangeable throughout the project.

**2.03 NEW MATERIALS**

A. All materials shall be newly manufactured. Defective equipment or equipment damaged in the course of installation or test shall be replaced or repaired in a manner meeting with the approval of the Engineer at no additional expense to the Owner.

**2.04 HARDWARE**

A. All hardware, screws, bolts, nuts, and accessory fittings shall be of a type designed, intended or appropriate for the use, and complement the items with which they are used, and shall have corrosion protection suitable for the atmosphere in which they are installed.

**PART 3 - EXECUTION**

**3.01 SUPERVISION**

A. Maintain competent superintendent in charge of work. Superintendent shall be qualified and have suitable experience in type of work involved. Plumbing supervision shall be by a certified journeyman licensed in the permitting area.

B. Before starting his work and from time to time as work progresses, superintendent shall examine work and materials installed by others insofar as they apply to his own work, and shall notify the Architect immediately in writing of conditions which will prevent satisfactory results in installation of the system.

**3.02 INSTALLATION AND WORKMANSHIP**

A. The work shall be performed by qualified mechanics and all materials, apparatus and equipment shall be installed in neat, workmanlike manner. Any material, apparatus or equipment which, in the opinion of the Architect/Engineer, is improperly installed shall be removed and reinstalled in an approved manner at no additional cost to the Owner.

Schedule work, and in every way possible cooperate with all other trades on the job to avoid delays, interferences and unnecessary work. Before starting his work and from time to time as work progresses, superintendent shall examine work and materials installed by others insofar as they apply to his own work, and shall notify the Architect/Engineer immediately in writing of conditions which will prevent satisfactory results in installation of the system. Should a subcontractor share his work without such notification, it shall be construed as acceptance

A. of claims or questions as to suitability of work of others to receive his work. He shall remove and replace, at his own expense, work under this contract which may have to be removed on account of such defects.

C. The work shall be installed in accordance with the manufacturer's recommendation or instructions. Any material, apparatus or equipment which, in the opinion of the Architect/Engineer, is improperly installed shall be removed and reinstalled in an approved manner at no additional cost to the Owner.

**3.03 CUTTING AND PATCHING**

A. Cutting and patching of walls, partitions, floors, concrete, pits and chases in wood and masonry will be done by this subcontractor as indicated or as directed by Architect/Engineer. Cutting of steel, wood, or other main structural parts must be approved by Architect/Engineer prior to commencing cutting.

**3.04 EXCAVATING AND BACKFILLING**

A. Excavation - Trenches for all underground pipelines shall be excavated to the required depths. The bottom of trenches shall be tamped hard and graded to secure the required fall. Bell holes shall be excavated so that pipe will rest on solid ground for its entire length. Rock, where encountered, shall be excavated to a depth of six (6) inches below the bottom of the pipe and, before pipe is laid, the space between the bottom of the pipe and rock shall be filled with approved backfill material. Waste water and potable water pipes shall be laid in separate trenches.

B. Backfilling - After pipelines have been tested, inspected and approved by the Engineer, and prior to backfilling, forms shall be removed and the excavation shall be cleaned of trash and debris. Materials for backfilling shall consist of the excavation or borrow of sand, gravel or other approved material and shall be free of trash, lumber, or other debris. Backfill shall be placed in horizontal layers of six (6) inches in thickness, each layer being properly moistened and compacted. Backfill shall be brought to a suitable elevation above grade to provide for settlement and shrinkage.

C. Provide all trenching, excavating, and backfilling required for the work indicated on the drawings. This shall include any and all dewatering required.

**3.05 WATERPROOFING**

A. Do not cut or penetrate waterproofed surfaces or waterproofing membranes, without first making arrangements for repair by a method approved by the Architect/Engineer.

**3.06 ACCESS DOORS (Access Panels)**

A. Provide access required for maintenance, adjustment, removal and repair of any and all plumbing equipment and like items furnished hereunder.

**3.07 CLEANING AND ADJUSTMENTS**

A. Upon completion of work, each subcontractor shall clean, oil, and grease fans, motors, fixtures, and other equipment and apparatus which he installs, and shall make certain such apparatus and mechanisms are in proper working order and ready for test.

SECTION END



**BRIDGES MARSH & ASSOCIATES, INC.**  
**CHARTERED ARCHITECTS**  
 Eighteen Via Mizner  
 Palm Beach, Florida 33480  
 Phone: (561) 832 1533  
 Fax: (561) 832 1520

CONSULTANT

SCALE

**TOWN OF  
 PALM BEACH  
 MID-TOWN  
 RESTROOMS**

PALM BEACH  
 FLORIDA

**PLUMBING  
 SPECIFICATIONS  
 PLAN**

DRAWING

**21129**

JOB NO.

NOTE:  
 ALL DRAWINGS FOR THIS PROJECT ARE TO BE READ IN CONJUNCTION WITH EACH OTHER. THESE INCLUDE, BUT ARE NOT LIMITED TO: ARCHITECTURAL, SURVEYING, STRUCTURAL, CIVIL, MECHANICAL, ELECTRICAL, SPECIALTY DRAWINGS, AND WRITTEN SPECIFICATIONS.  
 CONTRACTOR TO VERIFY ALL EXISTING SITE CONDITIONS AND THEREAFTER CHECK ELEVATIONS AND DIMENSIONS BEFORE COMMENCING WORK. REPORT TO THE ARCHITECT ENGINEER ANY DISCREPANCIES, ERRORS OR CONDITIONS THAT WILL ALTER CONSTRUCTION AS INTENDED BY THESE DRAWINGS. ARCHITECT IS NOT RESPONSIBLE FOR ANY WORK AND/OR MATERIALS FURNISHED ON THE JOB.

1	6
2	7
3	8
4	9
5	10

REVISIONS

NO SCALE

SCALE

DATE	CHK. DRAWN
3/26/12	MAM

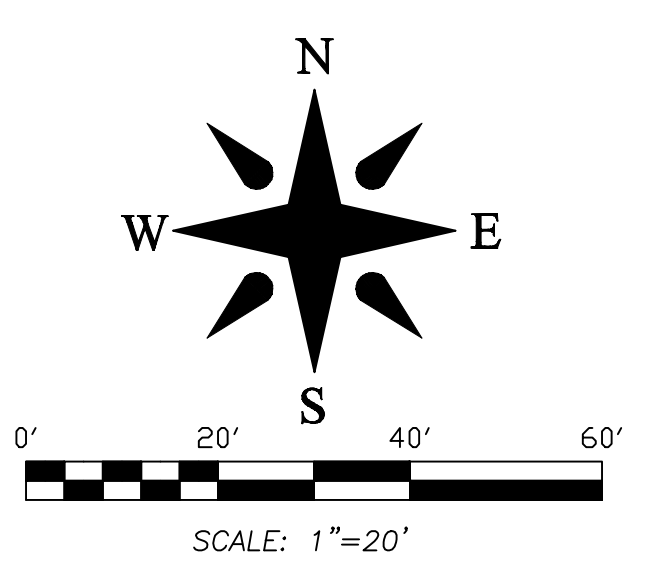
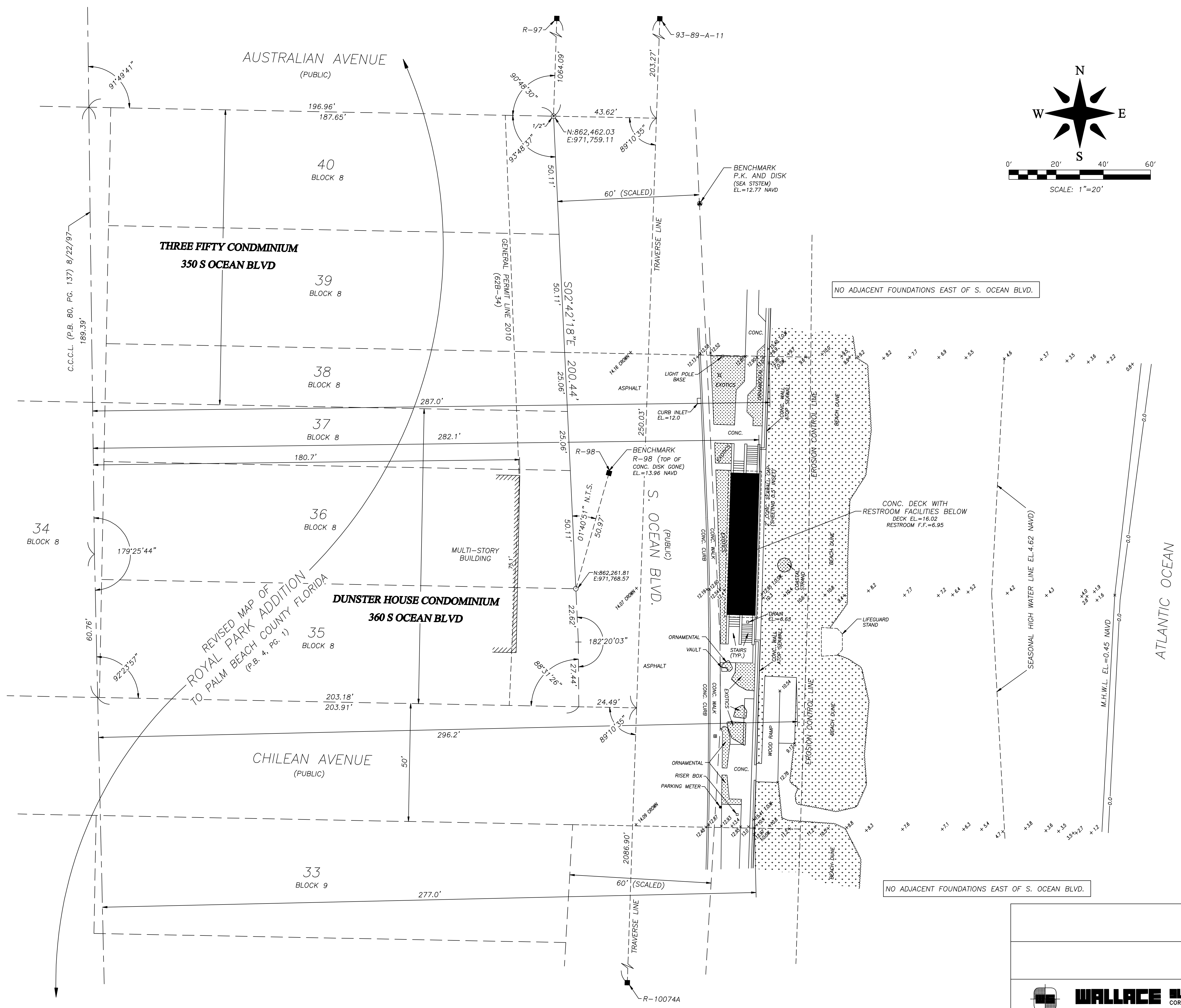
**P2.2**

DWG. NO.

**TEELE & ASSOCIATES**  
 CONSULTING ENGINEERS  
 8884 EVANG ROAD  
 DELRAY BEACH, FLORIDA 33445 (561) 455-2438  
 CERT. OF AUTH. NO. 28712

JOB #1808  
**MICHAEL A. TEELE, P.E.**  
 ENGINEER OF RECORD  
 FLORIDA REGISTRATION  
 P.E. 32266

DATE:



NO ADJACENT FOUNDATIONS EAST OF S. OCEAN BLVD.

NO ADJACENT FOUNDATIONS EAST OF S. OCEAN BLVD.

REVISED MAP OF  
ROYAL PARK ADDITION  
TO PALM BEACH COUNTY FLORIDA  
(P.B. 4, PG. 1)

<b>WALLACE SURVEYS</b> CORP. LICENSED BUSINESS # 4569 5555 VILLAGE BOULEVARD, WEST PALM BEACH, FLORIDA 33407 • (561) 640-4551					
FIELD:	J.P.	JOB NO.:	1/20/12	F.B.:	PB133 PG. 75
OFFICE:	M.B.	DATE:	12-1003	DWG. NO.:	12-1003
CHK'D:	C.W.	REF:	12-1003.DWG	SHEET:	2 OF 2