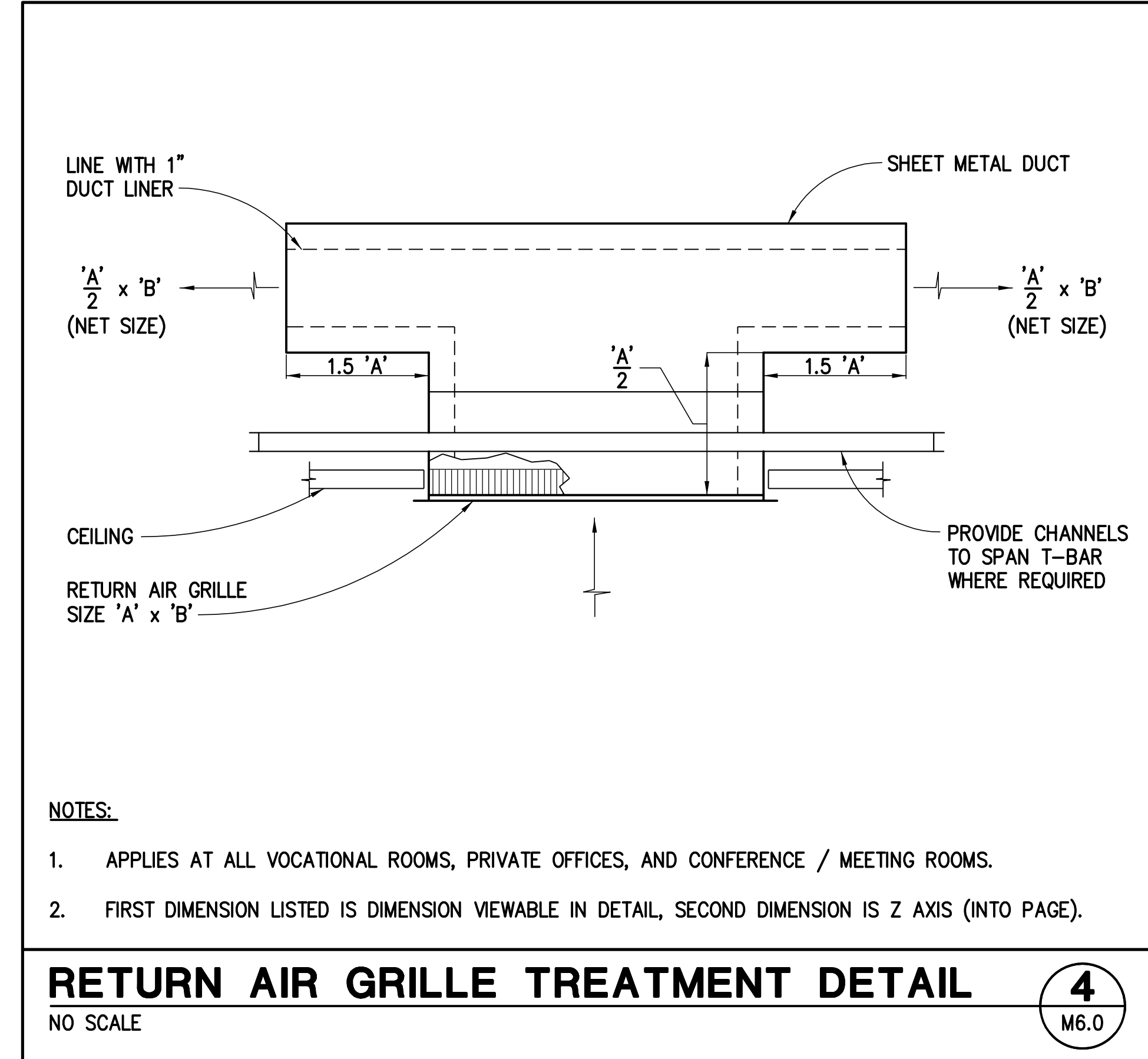
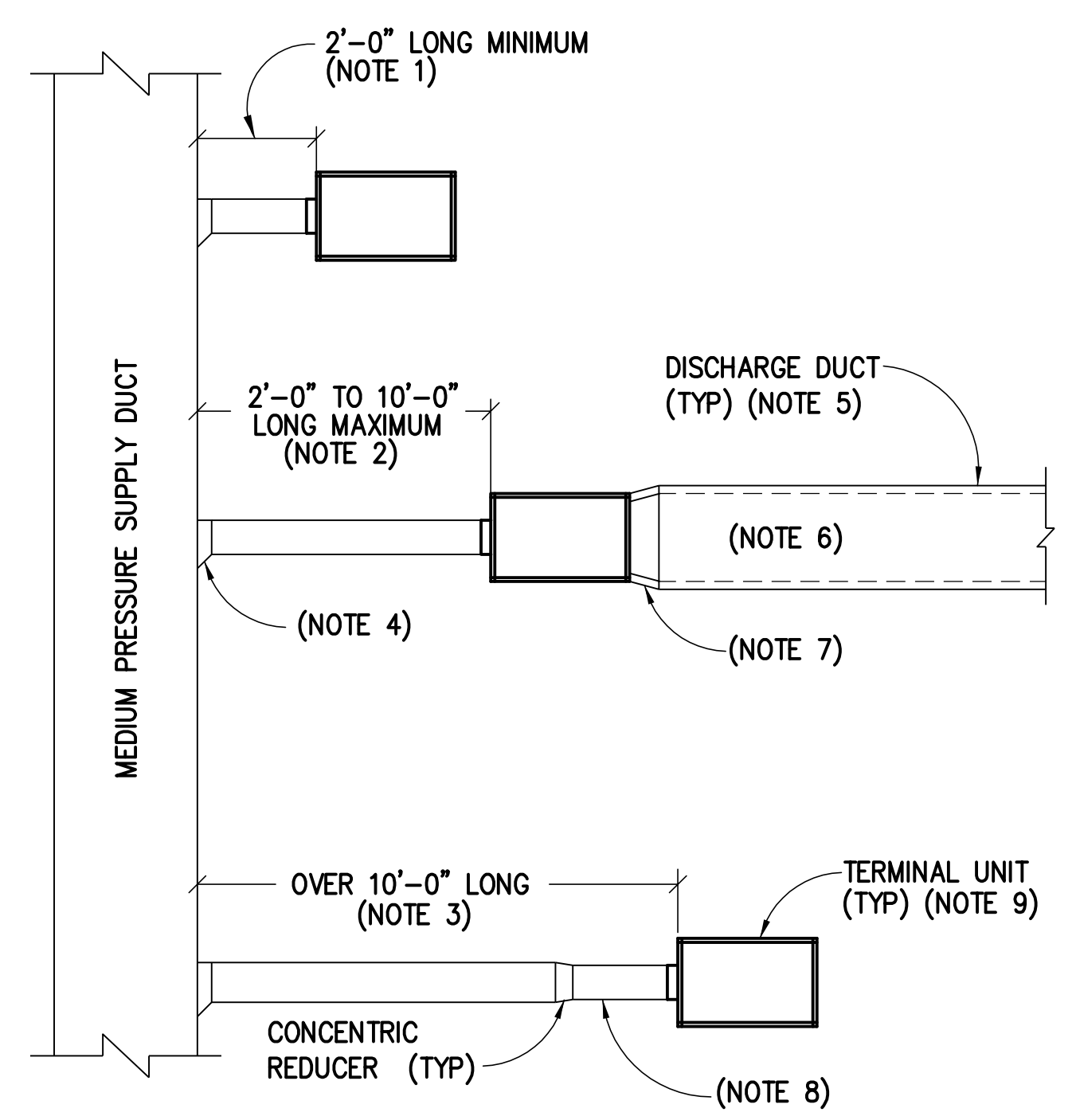


STANDARD INLET DUCT SIZE	INCREASED INLET DUCT SIZE
4"Ø	6"Ø
5"Ø	8"Ø
6"Ø	8"Ø
7"Ø	10"Ø
8"Ø	10"Ø
9"Ø	12"Ø
10"Ø	12"Ø
12"Ø	14"Ø
14"Ø	16"Ø
16"Ø	18"Ø
24x16	26x16

- NOTES:
1. PROVIDE 2'-0" MINIMUM STRAIGHT DUCT OF STANDARD INLET DUCT SIZE.
 2. PROVIDE STRAIGHT DUCT OF STANDARD INLET SIZE FOR A MAXIMUM LENGTH OF 10'-0".
 3. PROVIDE STRAIGHT DUCT OF INCREASED INLET DUCT SIZE FOR LENGTHS OVER 10'-0".
 4. PROVIDE 45 DEGREE ENTRY BOOT (IN LIEU OF CONICAL TAP OR SPIN COLLAR) AT EACH CONNECTION TO MEDIUM PRESSURE DUCTWORK.
 5. PROVIDE A MINIMUM OF 10'-0" OF 1" SOUNDLINER IN VAV BOX DISCHARGE DUCT. RUN LINER THROUGH FITTINGS WHERE REQUIRED TO ACHIEVE 10'-0" LENGTH.
 6. SEE PLANS FOR DISCHARGE DUCT SIZE.
 7. PROVIDE TRANSITION FITTING FROM VAV BOX DISCHARGE TO FULL SIZE OF DISCHARGE DUCT SIZE INDICATED ON PLANS.
 8. PROVIDE 2'-0" LONG STRAIGHT DUCT OF STANDARD INLET DUCT SIZE.
 9. PROVIDE HANGER SUPPORTS AS REQUIRED. FAN POWERED BOXES SHALL HAVE NEOPRENE ISOLATORS.



DRAWING ISSUE LOG:

NO.	DESCRIPTION	DATE	BY	CHKD.

CARPENTER SELLERS DEL GATTO ARCHITECTS
1919 S. JONES SUITE C - LAS VEGAS, NV 89146
(702) 251-8896 - FAX (702) 251-8876

MECHANICAL DETAILS
A COMMERCIAL TENANT IMPROVEMENT FOR
UNIVERSITY OF PHOENIX - WEST PALM BEACH, FL (REMODEL)
7111 FAIRWAY DRIVE
PALM BEACH GARDENS, FL 33418

REVISIONS:

NO.	DESCRIPTION	DATE

DATE: 08-08-2011
JOB NO: U11-029
FILE NAME: 110413_M6-0.DWG
DO NOT SCALE DRAWINGS