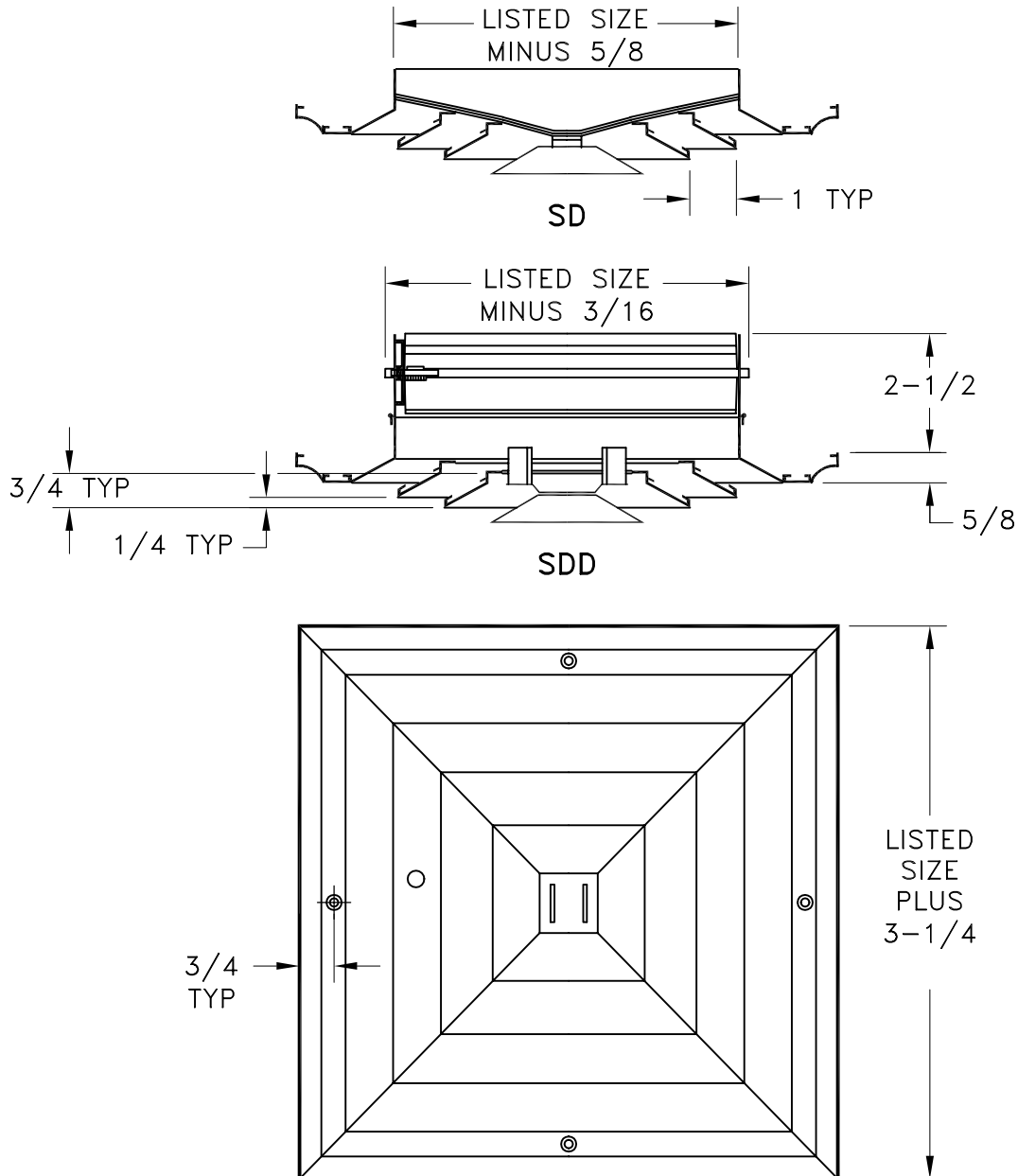


- ALL EXTRUDED ALUMINUM CONSTRUCTION
- SD MODEL IS DIFFUSER ONLY
- SDD MODEL IS DIFFUSER WITH OPPOSED BLADE DAMPER
- MOUNTING SCREWS FURNISHED
- AVAILABLE IN SIZES 6 X 6 THROUGH 20 X 20 IN 2 INCH INCREMENTS
- 20 X 20 IS FURNISHED WITH TWO DAMPERS
- FINISH: WHITE (W) ENAMEL OR SATIN ANODIZED (SA)



JOB NAME: _____	SUBMITTED BY: _____	DATE: 4/21/00	SD-2305
LOCATION: _____	SD, SDD Extruded Aluminum Step Down Face Diffuser		
ARCHITECT: _____			
ENGINEER: _____			
CONTRACTOR: _____			